

 **BOEING**
COMPONENT
MAINTENANCE MANUAL

TO: ALL HOLDERS OF OUTBOARD OVERHEAD STOWAGE BIN ASSEMBLY COMPONENT
MAINTENANCE MANUAL 25-28-09

REVISION NO. 3 DATED SEP 01/96

HIGHLIGHTS

All data formerly in manual 25-28-11 is included in this manual 25-28-09.

Pages which have been added or revised are outlined below together with the highlights of the revision. Remove and insert the affected pages as listed and enter Revision No. and data on the Record of Revision Sheet.

CHAPTER/SECTION

AND PAGE NO.

1090L

DESCRIPTION OF CHANGE

Updated without technical change.

25-28-09

HIGHLIGHTS

01.1

Page 1

Sep 01/96

OUTBOARD OVERHEAD STOWAGE BIN ASSEMBLY

PART NUMBER 413T1002-41 THRU -46,-49,-50
-51,-53,-55,-57 THRU -60,
-63,-64,-73,-75,-76,-86,
-87,-88,-95,-96,-175,
-189,-190,-309 THRU -312,
-339,-340,-345,-346,-347,
-348,-373,-374

COMPONENT MAINTENANCE MANUAL
WITH
ILLUSTRATED PARTS LIST

25-28-09

TITLE PAGE

Page 1

Apr 01/91

01.1



REVISION RECORD

- Retain this record in front of manual. On receipt of revision, insert revised pages in the manual, and enter revision number, date inserted and initial.

REVISION NUMBER	REVISION DATE	DATE FILED	BY	REVISION NUMBER	REVISION DATE	DATE FILED	BY

25-28-09

REVISION RECORD

01

Page 1

Oct 01/87



TEMPORARY REVISION AND SERVICE BULLETIN RECORD

BOEING SERVICE BULLETIN	BOEING TEMPORARY REVISION	OTHER DIRECTIVE	DATE OF INCORPORATION INTO MANUAL
35-8 25-78		PRRB-10607 PRRVDCT0089 PRRB10286 PRR C12027-3 PRR B11203 PRR C12052	OCT 10/82 OCT 10/82 OCT 10/83 JAN 10/85 JAN 10/87 APR 01/91

25-28-09

TR & SB RECORD

01.1

Page 1

Apr 01/91

PAGE	DATE	CODE	PAGE	DATE	CODE
25-28-09			REPAIR-GENERAL		
			601	OCT 01/87	01
			602	OCT 01/87	01
			603	OCT 01/87	01
			604	BLANK	
TITLE PAGE			REPAIR 1-1		
1	APR 01/91	01.1	601	APR 01/91	01.1
2	BLANK		602	BLANK	
REVISION RECORD			REPAIR 1-2		
1	OCT 01/87	01	601	APR 01/91	01.1
2	BLANK		602	BLANK	
TR & SB RECORD			REPAIR 2-1		
1	APR 01/91	01.1	601	APR 01/91	01.1
2	BLANK		602	BLANK	
LIST OF EFFECTIVE PAGES			REPAIR 2-2		
*1	SEP 01/96	01	601	APR 01/91	01.1
THRU LAST PAGE			602	BLANK	
CONTENTS			REPAIR 3-1		
1	OCT 01/87	01	601	APR 01/91	01.1
2	BLANK		602	BLANK	
INTRODUCTION			REPAIR 3-2		
1	OCT 01/87	01	601	APR 01/91	01.1
2	BLANK		602	BLANK	
DESCRIPTION & OPERATION			REPAIR 4-1		
1	OCT 01/87	01	601	APR 01/91	01.1
2	BLANK		602	BLANK	
DISASSEMBLY			REPAIR 4-2		
301	OCT 01/87	01	601	APR 01/91	01.1
302	APR 01/91	01.1	602	BLANK	
303	APR 01/91	01.1	REPAIR 5-1		
304	BLANK		601	APR 01/91	01.1
CHECK			602	BLANK	
501	APR 01/91	01.1	REPAIR 5-1		
502	BLANK		601	APR 01/91	01.1
			602	BLANK	

* = REVISED, ADDED OR DELETED

25-28-09

EFFECTIVE PAGES
CONTINUED Page 1
01 Sep 01/96

PAGE	DATE	CODE	PAGE	DATE	CODE
REPAIR 5-2			ILLUSTRATED PARTS LIST		
601	APR 01/91	01.1	1001	OCT 01/87	01
602	BLANK		1002	APR 01/91	01.1
REPAIR 6-1			1003	APR 01/91	01.1
601	APR 01/91	01.1	1004	APR 01/91	01.1
602	BLANK		1005	APR 01/91	01.1
REPAIR 7-1			1006	APR 01/91	01.1
601	OCT 01/87	01	1007	APR 01/91	01.1
602	OCT 01/87	01	1008	APR 01/91	01.1
603	OCT 01/87	01	1009	APR 01/91	01.1
604	OCT 01/87	01	1010	APR 01/91	01.1
605	OCT 01/87	01	1011	APR 01/91	01.1
606	OCT 01/87	01	1012	APR 01/91	01.1
607	OCT 01/87	01	1013	APR 01/91	01.1
608	OCT 01/87	01	1014	APR 01/91	01.1
609	OCT 01/87	01	1015	APR 01/91	01.1
610	OCT 01/87	01	1016	APR 01/91	01.1
611	OCT 01/87	01	1017	APR 01/91	01.1
612	APR 01/91	01.1	1018	APR 01/91	01.1
613	APR 01/91	01.1	1019	APR 01/91	01.1
614	APR 01/91	01.1	1020	APR 01/91	01.1
615	APR 01/91	01.1	1021	APR 01/91	01.1
616	APR 01/91	01.1	1022	APR 01/91	01.1
617	APR 01/91	01.1	1023	APR 01/91	01.1
618	APR 01/91	01.1	1024	JAN 01/93	01.1
619	APR 01/91	01.1	1025	APR 01/91	01.1
620	APR 01/91	01.1	1026	APR 01/91	01.1
ASSEMBLY			1027	APR 01/91	01.1
701	OCT 01/87	01	1028	APR 01/91	01.1
702	OCT 01/87	01	1029	APR 01/91	01.1
703	APR 01/91	01.1	1030	APR 01/91	01.1
704	APR 01/91	01.1	1031	APR 01/91	01.1
705	APR 01/91	01.1	1032	APR 01/91	01.1
706	APR 01/91	01.1	1033	APR 01/91	01.1
707	APR 01/91	01.1	1034	APR 01/91	01.1
708	APR 01/91	01.1	1035	APR 01/91	01.1
709	APR 01/91	01.1	1036	APR 01/91	01.1
710	APR 01/91	01.1	1037	APR 01/91	01.1
711	APR 01/91	01.1	1038	APR 01/91	01.1
712	APR 01/91	01.101	1039	APR 01/91	01.1
			1040	APR 01/91	01.1
			1041	APR 01/91	01.1
			1042	APR 01/91	01.1

* = REVISED, ADDED OR DELETED

25-28-09

EFFECTIVE PAGES
 CONTINUED Page 2
 01 Sep 01/96

PAGE	DATE	CODE	PAGE	DATE	CODE
ILLUSTRATED PARTS LIST		CONT.	ILLUSTRATED PARTS LIST		CONT.
1043	APR 01/91	01.1	10700	APR 01/91	01.1
1044	APR 01/91	01.1	1070P	APR 01/91	01.1
1045	APR 01/91	01.1	1070Q	APR 01/91	01.1
1046	APR 01/91	01.1	1070R	APR 01/91	01.1
1047	APR 01/91	01.1	1070S	APR 01/91	01.1
1048	APR 01/91	01.1	1070T	APR 01/91	01.1
1049	APR 01/91	01.1	1070U	APR 01/91	01.1
1050	APR 01/91	01.1	1070V	APR 01/91	01.1
1051	APR 01/91	01.1	1070W	APR 01/91	01.1
1052	APR 01/91	01.1	1070X	APR 01/91	01.1
1053	APR 01/91	01.1	1070Y	APR 01/91	01.1
1054	APR 01/91	01.1	1070Z	APR 01/91	01.1
1055	APR 01/91	01.1	1071	APR 01/91	01.1
1056	APR 01/91	01.1	1072	APR 01/91	01.1
1057	APR 01/91	01.1	1072A	APR 01/91	01.1
1058	APR 01/91	01.1	1072B	APR 01/91	01.1
1059	APR 01/91	01.1	1072C	APR 01/91	01.1
1060	APR 01/91	01.1	1072D	APR 01/91	01.1
1061	APR 01/91	01.1	1072E	APR 01/91	01.1
1062	APR 01/91	01.1	1072F	APR 01/91	01.1
1063	APR 01/91	01.1	1072G	APR 01/91	01.1
1064	APR 01/91	01.1	1072H	APR 01/91	01.1
1065	APR 01/91	01.1	1072I	APR 01/91	01.1
1066	APR 01/91	01.1	1072J	APR 01/91	01.1
1067	APR 01/91	01.1	1072K	APR 01/91	01.1
1068	APR 01/91	01.1	1072L	APR 01/91	01.1
1069	APR 01/91	01.1	1072M	APR 01/91	01.1
1070	APR 01/91	01.1	1072N	APR 01/91	01.1
1070A	APR 01/91	01.1	1072O	APR 01/91	01.1
1070B	APR 01/91	01.1	1072P	APR 01/91	01.1
1070C	APR 01/91	01.1	1072Q	APR 01/91	01.1
1070D	APR 01/91	01.1	1072R	APR 01/91	01.1
1070E	APR 01/91	01.1	1072S	APR 01/91	01.1
1070F	APR 01/91	01.1	1072T	APR 01/91	01.1
1070G	APR 01/91	01.1	1072U	APR 01/91	01.1
1070H	APR 01/91	01.1	1072V	APR 01/91	01.1
1070I	APR 01/91	01.1	1072W	APR 01/91	01.1
1070J	APR 01/91	01.1	1072X	APR 01/91	01.1
1070K	APR 01/91	01.1	1072Y	APR 01/91	01.1
1070L	APR 01/91	01.1	1072Z	APR 01/91	01.1
1070M	APR 01/91	01.1	1073	APR 01/91	01.1
1070N	APR 01/91	01.1	1074	APR 01/91	01.1

* = REVISED, ADDED OR DELETED

25-28-09

EFFECTIVE PAGES
CONTINUED Page 3
01 Sep 01/96

PAGE	DATE	CODE	PAGE	DATE	CODE
ILLUSTRATED	PARTS LIST	CONT.	ILLUSTRATED	PARTS LIST	CONT.
1074A	APR 01/91	01.1	10760	APR 01/91	01.1
1074B	APR 01/91	01.1	1076P	JAN 01/93	01.1
1074C	APR 01/91	01.1	1076Q	JAN 01/93	01.101
1074D	APR 01/91	01.1	1076R	APR 01/91	01.1
1074E	APR 01/91	01.1	1076S	APR 01/91	01.1
1074F	APR 01/91	01.1	1076T	APR 01/91	01.1
1074G	APR 01/91	01.1	1076U	APR 01/91	01.1
1074H	APR 01/91	01.1	1076V	APR 01/91	01.1
1074I	APR 01/91	01.1	1076W	APR 01/91	01.1
1074J	APR 01/91	01.1	1076X	APR 01/91	01.1
1074K	APR 01/91	01.1	1076Y	APR 01/91	01.1
1074L	APR 01/91	01.1	1076Z	APR 01/91	01.1
1074M	APR 01/91	01.1	1077	APR 01/91	01.1
1074N	APR 01/91	01.1	1078	APR 01/91	01.1
1074O	APR 01/91	01.1	1078A	APR 01/91	01.1
1074P	APR 01/91	01.1	1078B	APR 01/91	01.1
1074Q	APR 01/91	01.1	1078C	APR 01/91	01.1
1074R	APR 01/91	01.1	1078D	APR 01/91	01.1
1074S	APR 01/91	01.1	1078E	APR 01/91	01.1
1074T	BLANK		1078F	APR 01/91	01.1
1074U	APR 01/91	01.1	1078G	APR 01/91	01.1
1074V	APR 01/91	01.1	1078H	APR 01/91	01.1
1074W	APR 01/91	01.1	1078I	APR 01/91	01.1
1074X	APR 01/91	01.1	1078J	APR 01/91	01.1
1074Y	APR 01/91	01.1	1078K	APR 01/91	01.1
1074Z	APR 01/91	01.1	1078L	APR 01/91	01.1
1075	APR 01/91	01.1	1078M	APR 01/91	01.1
1076	APR 01/91	01.1	1078N	BLANK	
1076A	APR 01/91	01.1	1078O	APR 01/91	01.1
1076B	APR 01/91	01.1	1078P	APR 01/91	01.1
1076C	APR 01/91	01.1	1078Q	APR 01/91	01.1
1076D	APR 01/91	01.1	1078R	APR 01/91	01.1
1076E	APR 01/91	01.1	1078S	APR 01/91	01.1
1076F	APR 01/91	01.1	1078T	APR 01/91	01.1
1076G	APR 01/91	01.1	1078U	APR 01/91	01.1
1076H	APR 01/91	01.1	1078V	APR 01/91	01.1
1076I	APR 01/91	01.1	1078W	APR 01/91	01.1
1076J	APR 01/91	01.1	1078X	APR 01/91	01.1
1076K	APR 01/91	01.1	1078Y	APR 01/91	01.1
1076L	APR 01/91	01.1	1078Z	APR 01/91	01.1
1076M	APR 01/91	01.1	1079	APR 01/91	01.1
1076N	APR 01/91	01.1	1080	APR 01/91	01.1

* = REVISED, ADDED OR DELETED

25-28-09

EFFECTIVE PAGES
 CONTINUED Page 4
 01 Sep 01/96



BOEING
COMPONENT
MAINTENANCE MANUAL

PAGE	DATE	CODE	PAGE	DATE	CODE
ILLUSTRATED PARTS LIST		CONT.	ILLUSTRATED PARTS LIST		CONT.
1080A	APR 01/91	01.1	10820	APR 01/91	01.1
1080B	APR 01/91	01.1	1082P	APR 01/91	01.1
1080C	APR 01/91	01.1	1082Q	APR 01/91	01.1
1080D	APR 01/91	01.1	1082R	APR 01/91	01.1
1080E	APR 01/91	01.1	1082S	APR 01/91	01.1
1080F	APR 01/91	01.1	1082T	APR 01/91	01.1
1080G	APR 01/91	01.1	1082U	APR 01/91	01.1
1080H	APR 01/91	01.1	1082V	APR 01/91	01.1
1080I	APR 01/91	01.1	1082W	APR 01/91	01.1
1080J	APR 01/91	01.1	1082X	APR 01/91	01.1
1080K	APR 01/91	01.1	1082Y	APR 01/91	01.1
1080L	APR 01/91	01.1	1082Z	APR 01/91	01.1
1080M	APR 01/91	01.1	1083	APR 01/91	01.1
1080N	APR 01/91	01.1	1084	APR 01/91	01.1
1080O	APR 01/91	01.1	1084A	APR 01/91	01.1
1080P	APR 01/91	01.1	1084B	APR 01/91	01.1
1080Q	APR 01/91	01.1	1084C	APR 01/91	01.1
1080R	APR 01/91	01.1	1084D	APR 01/91	01.1
1080S	APR 01/91	01.1	1084E	APR 01/91	01.1
1080T	APR 01/91	01.1	1084F	APR 01/91	01.1
1080U	APR 01/91	01.1	1084G	APR 01/91	01.1
1080V	APR 01/91	01.1	1084H	APR 01/91	01.1
1080W	APR 01/91	01.1	1084I	APR 01/91	01.1
1080X	APR 01/91	01.1	1084J	APR 01/91	01.1
1080Y	APR 01/91	01.1	1084K	APR 01/91	01.1
1080Z	APR 01/91	01.1	1084L	APR 01/91	01.1
1081	APR 01/91	01.1	1084M	APR 01/91	01.1
1082	APR 01/91	01.1	1084N	APR 01/91	01.1
1082A	APR 01/91	01.1	1084O	APR 01/91	01.1
1082B	APR 01/91	01.1	1084P	APR 01/91	01.1
1082C	APR 01/91	01.1	1084Q	APR 01/91	01.1
1082D	APR 01/91	01.1	1084R	APR 01/91	01.1
1082E	APR 01/91	01.1	1084S	APR 01/91	01.1
1082F	APR 01/91	01.1	1084T	APR 01/91	01.1
1082G	APR 01/91	01.1	1084U	APR 01/91	01.1
1082H	APR 01/91	01.1	1084V	APR 01/91	01.1
1082I	APR 01/91	01.1	1084W	APR 01/91	01.1
1082J	APR 01/91	01.1	1084X	APR 01/91	01.1
1082K	APR 01/91	01.1	1084Y	APR 01/91	01.1
1082L	APR 01/91	01.1	1084Z	APR 01/91	01.1
1082M	APR 01/91	01.1	1085	APR 01/91	01.1
1082N	APR 01/91	01.1	1086	APR 01/91	01.1

* = REVISED, ADDED OR DELETED

25-28-09

EFFECTIVE PAGES
CONTINUED Page 5
01 Sep 01/96

PAGE	DATE	CODE	PAGE	DATE	CODE
ILLUSTRATED	PARTS LIST	CONT.	ILLUSTRATED	PARTS LIST	CONT.
1086A	APR 01/91	01.1	10880	APR 01/91	01.1
1086B	APR 01/91	01.1	1088P	APR 01/91	01.1
1086C	APR 01/91	01.1	1088Q	APR 01/91	01.1
1086D	APR 01/91	01.1	1088R	APR 01/91	01.1
1086E	APR 01/91	01.1	1088S	APR 01/91	01.1
1086F	APR 01/91	01.1	1088T	APR 01/91	01.1
1086G	APR 01/91	01.1	1088U	APR 01/91	01.1
1086H	APR 01/91	01.1	1088V	APR 01/91	01.1
1086I	APR 01/91	01.1	1088W	APR 01/91	01.1
1086J	APR 01/91	01.1	1088X	APR 01/91	01.1
1086K	APR 01/91	01.1	1088Y	APR 01/91	01.1
1086L	APR 01/91	01.1	1088Z	APR 01/91	01.1
1086M	APR 01/91	01.1	1089	APR 01/91	01.1
1086N	APR 01/91	01.1	1090	APR 01/91	01.1
1086O	APR 01/91	01.1	1090A	APR 01/91	01.1
1086P	APR 01/91	01.1	1090B	APR 01/91	01.1
1086Q	APR 01/91	01.1	1090C	APR 01/91	01.1
1086R	APR 01/91	01.1	1090D	APR 01/91	01.1
1086S	APR 01/91	01.1	1090E	APR 01/91	01.1
1086T	APR 01/91	01.1	1090F	APR 01/91	01.1
1086U	APR 01/91	01.1	1090G	APR 01/91	01.1
1086V	APR 01/91	01.1	1090H	APR 01/91	01.1
1086W	APR 01/91	01.1	1090I	APR 01/91	01.1
1086X	APR 01/91	01.1	1090J	APR 01/91	01.1
1086Y	APR 01/91	01.1	1090K	BLANK	
1086Z	APR 01/91	01.1	*1090L	SEP 01/96	01.1
1087	APR 01/91	01.1			
1088	APR 01/91	01.1			
1088A	APR 01/91	01.1			
1088B	APR 01/91	01.1			
1088C	APR 01/91	01.1			
1088D	APR 01/91	01.1			
1088E	APR 01/91	01.1			
1088F	APR 01/91	01.1			
1088G	APR 01/91	01.1			
1088H	APR 01/91	01.1			
1088I	APR 01/91	01.1			
1088J	APR 01/91	01.1			
1088K	APR 01/91	01.1			
1088L	APR 01/91	01.1			
1088M	APR 01/91	01.1			
1088N	APR 01/91	01.1			

* = REVISED, ADDED OR DELETED

25-28-09

EFFECTIVE PAGES
 LAST PAGE Page 6
 01 Sep 01/96

TABLE OF CONTENTS

<u>Paragraph Title</u>	<u>Page</u>
Description and Operation	1
Testing and Trouble Shooting (not applicable)	
Disassembly	301
Cleaning. * [1]	
Check	501
Repair.	601
Assembly.	701
Fits and Clearances (not applicable)	
Special Tools, Fixtures, and Equipment (not applicable)	
Illustrated Parts List.	1001
* [1] Special instructions not required. Use standard industry practices.	

INTRODUCTION

The instructions in this manual provide the information necessary to perform maintenance functions ranging from simple checks and replacement to complete shop-type repair.

This manual is divided into separate sections:

- | | |
|----------------------------------------------------|------------------------------|
| 1. Title Page | 4. List of Effective Pages |
| 2. Record of Revisions | 5. Table of contents |
| 3. Temporary Revision &
Service Bulletin Record | 6. Introduction |
| | 7. Procedures & IPL Sections |

Refer to the Table of Contents for the page location of applicable sections. An asterisked flagnote *[] in place of the page number indicates that no special instructions are provided since the function can be performed using standard industry practices.

The beginning of the REPAIR section includes a list of the separate repairs, and a list of applicable standard Boeing practices, and an explanation of the True Position dimensioning symbols used.

An explanation of the use of the Illustrated Parts List is provided in the Introduction to that section.

All weights and measurements used in the manual are in English units, unless otherwise stated. When metric equivalents are given they will be in parentheses following the English units.

Design changes, optional parts, configuration differences and Service Bulletin modifications create alternate part numbers. These are identified in the Illustrated Parts List (IPL) by adding an alphabetical character to the basic item number. The resulting item number is called an alpha-variant. Throughout the manual, IPL basic item number references also apply to alpha-variants unless otherwise indicated.

Verification:

Disassembly	Feb 1/83
Assembly	Feb 1/83

25-28-09

INTRODUCTION

01

Page 1

Oct 01/87

OUTBOARD OVERHEAD STOWAGE BIN ASSEMBLY

DESCRIPTION AND OPERATION

1. Description and Operation

A. The outboard overhead stowage bin assembly consists of a stowage bin, door and latch assembly, and support to attach a passenger service unit to the lower surface. The door assembly is unlatched and swung out and up to allow access to the bin interior.

2. Leading Particulars (approximate)

Length: 88 inches
Width: 25 inches
Height: 19 inches
Weight: 47 lbs

25-28-09

DESCRIPTION & OPERATION

01

Page 1

Oct 01/87

DISASSEMBLY

CAUTION: PARTS OF STOWAGE BIN ASSEMBLY ARE VISIBLE FROM CABIN INTERIOR. SPECIAL CARE MUST BE TAKEN TO PREVENT MARRING VISIBLE SURFACES.

NOTE: Disassemble component only as necessary to complete fault isolation, determine part serviceability, perform required repairs, and restore unit to serviceable condition.

1. Disassemble stowage bin assys 413T1002-41 thru -46, -49 thru -51, -53, -55, -73, -75, -76, -86, -175 (IPL Fig. 1, 1A).

NOTE: Second parenthetical item number references IPL Fig. 1A only, unless otherwise noted.

- A. Unlatch and open door. Remove screws (235) (268), washers (236) (271) and remove door assemblies.
- B. Unbend ears of washer (138) (131) from around nut (139) (131G). Loosen nut and remove lock (137) (130).
- C. Remove screws (234) (262) and hinge assemblies (230, 232) (259, 262).
- D. Disassemble hinge assemblies (230, 232) (259, 262).

NOTE: Do not remove bushings unless necessary for repair or replacement.

- (1) Remove housing assembly (239) (280) by removing bolts (240, 241) (283, 286).
- (2) Remove screws (352) (454), spring support assembly (318) (418), and receptacle assembly (350) (451).
- (3) Remove screws (282) (370), washers (284) (373), nuts (286, 376), and bracket (288) (378).
- (4) Remove screw (250) (304), roller (254) (319), washer (253) (316), and upper arm assembly (294) (379).
- (5) Remove screw (252) (379), rollers (254, 256) (319, 322), and washer (253) (316). Remove screw (302) (394), washers (303) (397), and cam follower assembly (272) (34C).
- (6) Withdraw shaft (304) (400) and remove lower arm assembly (306) (403).

25-28-09

DISASSEMBLY

01

Page 301

Oct 01/87

(7) Remove screw (314) (415) and gas spring assembly (355) (460).

2. Disassemble stowage bin assemblies 413T1002-57 thru -60, -63, -64, -87, -88, -95, -96, -187, -189, -190, -309 thru -312, -339, -340, -345, -346, -347, -348, -373, -374 (IPL Figs. 1B, 1C, 1D, 1E)

- A. Unlatch and open door. Remove screws (237, IPL Fig. 1B; 312, IPL Fig. 1C; 105, IPL Fig. 1D; 86, IPL Fig. 1E), washers (240, IPL Fig. 1B; 314, IPL Fig. 1C; 108, IPL Fig. 1D; 89 IPL Fig. 1E) and door assembly (78, IPL Fig. 1B; 96, IPL Fig. 1C; 102, IPL Fig. 1D; 83, IPL Fig. 1E).
- B. Remove screws (236, IPL Fig. 1B; 306, IPL Fig. 1C; 258, IPL Fig. 1D; 197, IPL Fig. 1E) and hinge assemblies (232, 234, IPL Fig. 1B; 300, 303, IPL Fig. 1C, 252, 255, IPL Fig. 1D; 191, 194, IPL Fig. 1E).
- C. Disassemble hinge assemblies (232, 234, IPL Fig. 1B; 300, 303, IPL Fig. 1C; 252, 255, IPL Fig. 1D; 191, 194 IPL Fig. 1E).

NOTE: Do not remove bushings (286, 288, 302, 327, 346, 348, IPL Fig. 1B; 411, 414, 435, 471, 498, 501, IPL Fig. 1C; 366, 390, 408, 411, 426, 429, IPL Fig. 1D; 260, 284, 287, 305, 308, 323, IPL Fig. 1E) unless necessary for repair or replacement.

- (1) Remove housing (260, 260A, IPL Fig. 1B; 351, 354, IPL Fig. 1C; 327, 330, IPL Fig. 1D; 362, 365, IPL Fig. 1E) by removing bolts (254, 256, IPL Fig. 1B; 342, 345, 363, 366, IPL Fig. 1C; 267, 273, IPL Fig. 1D; 206, 209, IPL Fig. 1E).
- (2) Remove screws (352, IPL Fig. 1B; 552, IPL Fig. 1C; 294, IPL Fig. 1D ; 371, IPL Fig. 1E), spring support assembly (354, IPL Fig. 1B; 510, IPL Fig. 1C; 300, IPL Fig. 1D; 335, IPL Fig. 1E), and receptacle assembly (376, IPL Fig. 1B, 549, IPL Fig. 1C; 291, IPL Fig. 1D; 368, IPL Fig. 1E).
- (3) Remove screws (314, IPL Fig. 1B; 453, IPL Fig. 1C; 333, IPL Fig. 1D; 230, IPL Fig. 1E), washers (316, IPL Fig. 1B; 456, IPL Fig. 1C; 336, IPL Fig. 1D; 233, IPL Fig. 1E), nuts (318, IPL Fig. 1B; 471, IPL Fig. 1C; 339, IPL Fig. 1D; 236, IPL Fig. 1E), and bracket (320, IPL Fig. 1B; 462, IPL Fig. 1C; 342, IPL Fig. 1D; 239, IPL Fig. 1E).
- (4) Remove screw (270, IPL Fig. 1B; 381, IPL Fig. 1C; 345, IPL Fig. 1D; 242, IPL Fig. 1E), roller (274, IPL Fig. 1B; 393, IPL Fig. 1C; 351, IPL Fig. 1D; 251, IPL Fig. 1E), washer (278, IPL Fig. 1B; 399, IPL Fig. 1C; 357, IPL Fig. 1D; 248, IPL Fig. 1E), and upper arm assembly (322, IPL Fig. 1B; 465, IPL Fig. 1C; 360, IPL Fig. 1D; 257, IPL Fig. 1E).

25-28-09

DISASSEMBLY

01.1

Page 302

Apr 01/91

- (5) Remove screw (272, IPL Fig. 1B; 387, IPL Fig. 1C; 348, IPL Fig. 1D; 245, IPL Fig. 1E), rollers (274, 276, IPL Fig. 1B; 393, 396, IPL Fig. 1C; 351, 354, IPL Fig. 1D; 251, 254, IPL Fig. 1E), and washer (278, IPL Fig. 1B; 399, IPL Fig. 1C; 357, IPL Fig. 1D; 248, IPL Fig. 1E). Remove screw (336, IPL Fig. 1B; 483, IPL Fig. 1C; 372, IPL Fig. 1D; 269, IPL Fig. 1E), washers (340, IPL Fig. 1B; 489, IPL Fig. 1C; 378, IPL Fig. 1D; 275, IPL Fig. 1E), and cam follower assembly (296, IPL Fig. 1B; 423, IPL Fig. 1C; 381, IPL Fig. 1D; 317, IPL Fig. 1E).
- (6) Withdraw shaft (342, IPL Fig. 1B; 492, IPL Fig. 1C; 402, IPL Fig. 1D; 278, IPL Fig. 1E) and remove lower arm assembly (344, IPL Fig. 1B; 495, IPL Fig. C; 405, IPL Fig. 1D; 281, IPL Fig. 1E).
- (7) Remove screw (352, IPL Fig. 1B; 507, IPL Fig. 1C; 399, IPL Fig. 1D; 293, IPL Fig. 1E) and gas spring assembly (382, IPL Fig. 1B; 558, IPL Fig. 1C; 438, IPL Fig. 1D; 377, IPL Fig. 1E).

25-28-09

DISASSEMBLY

01.1

Page 303

Apr 01/91

CHECK

1. Check all items for obvious defects using standard industry practices.
2. Penetrant examine per 20-20-02:
 - A. IPL Fig. 1 - Doublers (60, 452), Fittings (64, 66, 454, 456, 468, 470, 528), Bracket (288), Tube (516)
 - B. IPL Fig. 1A - Doublers (21, 616), Fittings (27, 28, 619, 620, 634, 635, 691), Bracket (387), Tube (673).
 - C. IPL Fig. 1B - Doublers (28, 544), Fittings (30, 30A, 32, 546, 546A, 564B, 560, 562, 612), Bracket (320), Tube (597).
 - D. IPL Fig. 1C - Doublers (27, 741), Fittings (33, 36, 744, 747, 765, 768, 807), Bracket (462), Tube (789).
 - E. IPL Fig. 1D - Doubler (36, 800), Fitting (39, 39A, 42, 803, 806, 779, 782, 720, Bracket (342), Tube (734).
 - F. IPL Fig. 1E - Doubler (38, 591), Fitting (44, 47, 68, 71, 594, 597, 667, 669), Bracket (239).
3. Magnetic Particle check per 20-20-01 nut (532, IPL Fig. 1, 697, IPL Fig. 1A; 617, IPL Fig. 1B; 813, IPL Fig. 1C; 723, IPL Fig. 1D) and sleeve (534 Fig. 1; 700, IPL Fig. 1A; 619, IPL Fig. 1B, 816, IPL Fig. 1C; 726, IPL Fig. 1D)

25-28-09

CHECK

01.1

Page 501

Apr 01/91

REPAIR – GENERAL

1. Repair, replacement, and refinish procedures are included in separate sections, as listed.

<u>P/N</u>	<u>NAME</u>	<u>REPAIR</u>
413T1020	UPPER ARM ASSEMBLY	1-1; 1-2
413T1021	LOWER ARM ASSEMBLY	2-1; 2-2
413T1022	CAM FOLLOWER ASSEMBLY	3-1; 3-2
413T1023	ACTUATOR ASSEMBLY	4-1; 4-2
412T2014	FITTING ASSEMBLY	5-1; 5-2
413T3108	FITTING ASSEMBLY	6-1
413T3109	FITTING ASSEMBLY	6-1
- -	MISC PARTS REFINISH	7-1

2. Standard Practices

- A. Refer to the following standard practices as applicable, for details of procedures in individual repairs.

20-30-02 Stripping of Protective Finishes
20-30-03 General Cleaning Procedures
20-41-01 Decoding Table for Boeing Finish Codes
20-41-02 Application of Chemical and Solvent Resistant Finishes
20-41-04 Application and Repair of Interior Decorative Finishes
20-42-05 Bright Cadmium Plating
20-43-01 Chromic Acid Anodizing
20-50-03 Bearing Installation and Retention
20-50-08 Application of Dry Lubricants

3. Materials

NOTE: Equivalent substitutes may be used.

- A. Lubricant, Dry Film -- BMS 3-8 (Ref 20-60-03)
B. Primer -- BMS 10-11 Type 1 (Ref 20-60-02)

25-28-09

REPAIR-GENERAL

01

Page 601

Oct 01/87

- C. Primer -- BMS 10-83 Type 1 (Ref 20-60-02)
- D. Enamel -- BMS 10-83 Type 2 (Ref 20-60-02)
- E. Enamel, Clear Baking -- BMS 10-78 (Ref 20-60-02)
- F. Enamel -- BMS 10-11 Type 2, gloss white (Ref 20-60-02)
- G. Water Emulsion Paint -- BMS 10-55 (Ref 20-60-02)
- H. Sealant -- BMS 5-95

25-28-09

REPAIR-GENERAL

01

Page 602

Oct 01/87

4. Dimensioning Symbols

A. Standard True Position Dimensioning Symbols used in applicable repair procedures are shown in Fig. 601.

—	STRAIGHTNESS	\oplus	THEORETICAL EXACT POSITION OF A FEATURE (TRUE POSITION)
\square	FLATNESS	\varnothing	DIAMETER
\perp	PERPENDICULARITY (OR SQUARENESS)	BASIC (BSC) OR	A THEORETICALLY EXACT DIMENSION USED TO DESCRIBE SIZE, SHAPE OR LOCATION OF A FEATURE FROM WHICH PERMISSIBLE VARIATIONS ARE ESTABLISHED BY TOLERANCES ON OTHER DIMENSIONS OR NOTES.
//	PARALLELISM	DIM	
\bigcirc	ROUNDNESS	-A-	DATUM
\bigcirc	CYLINDRICITY	\textcircled{M}	MAXIMUM MATERIAL CONDITION (MMC)
\frown	PROFILE OF A LINE	\textcircled{S}	REGARDLESS OF FEATURE SIZE (RFS)
\triangle	PROFILE OF A SURFACE	\textcircled{P}	PROJECTED TOLERANCE ZONE
\odot	CONCENTRICITY		
\equiv	SYMMETRY		
\sphericalangle	ANGULARITY		
\nearrow	RUNOUT		

EXAMPLES

$\text{—} \quad 0.002$	STRAIGHT WITHIN 0.002	$\textcircled{\odot} \text{ C } \varnothing \quad 0.0005$	CONCENTRIC TO C WITHIN 0.0005 DIAMETER (FULL INDICATOR MOVEMENT)
$\perp \text{ B } \quad 0.002$	PERPENDICULAR TO B WITHIN 0.002	$\equiv \text{ A } \quad 0.010$	SYMMETRICAL WITH A WITHIN 0.010
// $\text{ A } \quad 0.002$	PARALLEL TO A WITHIN 0.002	$\sphericalangle \text{ A } \quad 0.005$	ANGULAR TOLERANCE 0.005 WITH A
$\bigcirc \quad 0.002$	ROUND WITHIN 0.002	$\oplus \text{ B } \varnothing \quad 0.002 \textcircled{S}$	LOCATED AT TRUE POSITION WITHIN 0.002 DIA IN RELATION TO DATUM B, REGARDLESS OF FEATURE SIZE
$\bigcirc \quad 0.010$	CYLINDRICAL SURFACE MUST LIE BETWEEN TWO CONCENTRIC CYLINDERS, ONE OF WHICH HAS A RADIUS 0.010 INCH GREATER THAN THE OTHER	$\perp \text{ A } \varnothing \quad 0.010 \textcircled{M}$ $0.510 \textcircled{P}$	AXIS IS TOTALLY WITHIN A CYLINDER OF 0.010-INCH DIAMETER, PERPENDICULAR TO, AND EXTENDING 0.510-INCH ABOVE, DATUM A, MAXIMUM MATERIAL CONDITION
$\frown \text{ A } \quad 0.006$	EACH LINE ELEMENT OF THE SURFACE AT ANY CROSS SECTION MUST LIE BETWEEN TWO PROFILE BOUNDARIES 0.006 INCH APART IN RELATION TO DATUM PLANE A	2.000	EXACT DIMENSION IS 2.000
$\triangle \text{ A } \quad 0.020$	SURFACES MUST LIE WITHIN PARALLEL BOUNDARIES 0.02 INCH APART AND EQUALLY DISPOSED ABOUT TRUE PROFILE	OR 2.000 BSC	

True Position Dimensioning Symbols
Figure 601

25-28-09

REPAIR-GENERAL

01

Page 603

Oct 01/87

UPPER ARM ASSY - REPAIR 1-1

413T1020-1, -4

NOTE: Refer to REPAIR-GEN for list of applicable standard practices.

1. Bushing Replacement (IPL Figs. 1, 1A, 1B, 1C, 1D, 1E)

A. Remove bushings.

B. Install bushings (296, IPL Fig. 1; 385, IPL Fig. 1A; 327, IPL Fig. 1B; 471, IPL Fig. 1C; 366, IPL Fig. 1D; 260, IPL Fig. 1E) per 20-50-03.

(1) Coat ID of hole and OD of bushing with BMS 10-11, type 1 primer and press bushings into arm (300, 301 Fig. 1; 391, 391A Fig. 1A; 331, IPL Fig. 1B; 477, 480, IPL Fig. 1C; 369, 369A, IPL Fig. 1D ; 266, 266A, IPL Fig. 1E) while primer is wet.

(2) Fillet seal bushing flange to arm with BMS 5-95 sealant.

(3) Fill gap between bushings with BMS 5-95 sealant. Clean excess sealant from inner surface of bushing.

25-28-09

REPAIR 1-1

01.1

Page 601

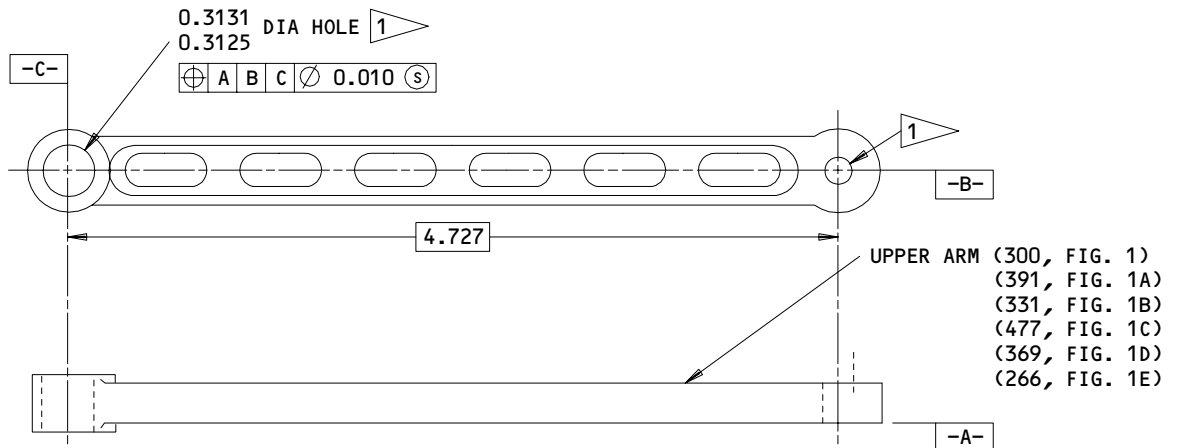
Apr 01/91

ARM - REPAIR 1-2

413T1020-2, -5

1. Refinish

NOTE: Repair consists of stripping and restoring original finish. Refer to Fig. 601 for refinish procedures and to REPAIR-GEN for list of applicable standard practices.



REFINISH

TREAT SURFACES PER MIL-C-5541 (COLORED FILM)
OR MIL-A-8625 (CHROMIC ACID ANODIZE).
APPLY 1 COAT BMS 10-11, TYPE 1 PRIMER (F-18.05).
APPLY BMS 10-83, TYPE 1 PRIMER AND TYPE 2
ENAMEL (F-22.05-7362).

ALL DIMENSIONS ARE IN INCHES

1 OMIT PRIMER AND ENAMEL FROM HOLE.

Upper Arm Repair
Figure 601

58484

25-28-09

REPAIR 1-2

01.1

Page 601

Apr 01/91

LOWER ARM ASSY – REPAIR 2-1

413T1021-1

NOTE: Refer to REPAIR-GEN for list of applicable standard practices.

1. Bushing Replacement (IPL Fig. 1, 1A, 1B, 1C, 1D, 1E)

A. Remove bushings.

B. Install bushings (308, 310, IPL Fig. 1; 406, 409, IPL Fig. 1A; 346, 348, IPL Fig. 1B, 498, 501, IPL Fig. 1C, 408, 411, IPL Fig. 1D; 284, 287, IPL Fig. 1E) per 20-50-03.

(1) Coat ID of hole and OD of bushings with BMS 10-11, type 1 primer. Press bushings (308 Fig. 1, 406 Fig. 1A, 346, IPL Fig. 1B; 498, IPL Fig. 1C; 408, IPL Fig. 1D; 284, IPL Fig. 1E) into end hole and bushing (310 Fig. 1, 409 Fig. 1A, 348, IPL Fig. 1C; 411, IPL Fig. 1D; 287, IPL Fig. 1E) into center hole of arm (312 Fig. 1, 412 Fig. 1A, 350, IPL Fig. 1B; 504, IPL Fig. 1C; 414, IPL Fig. 1D; 290, IPL Fig. 1E).

(2) Fillet seal bushing flange to arm with BMS 5-95 sealant.

(3) Fill gap between bushings with BMS 5-95 sealant. Remove excess sealant from inner surface of bushings.

25-28-09

REPAIR 2-1

01.1

Page 601

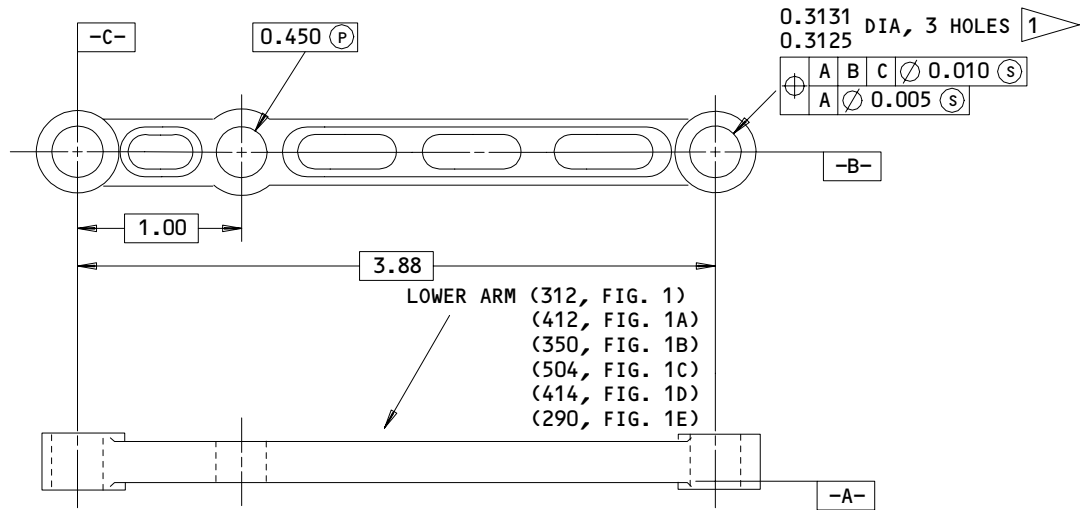
Apr 01/91

ARM - REPAIR 2-2

413T1021-2

1. Refinish

NOTE: Repair consists of stripping and restoring original finish. Refer to Fig. 601 for refinish procedures and to REPAIR-GEN for list of applicable standard practices.



REFINISH

TREAT SURFACES PER MIL-C-5541 (COLORED FILM)
OR MIL-A-8625 (CHROMIC ACID ANODIZE).
APPLY 1 COAT BMS 10-11, TYPE 1 PRIMER (F-18.05).
APPLY BMS 10-83, TYPE 1 PRIMER AND TYPE 2
ENAMEL (F-22.05-7362).

ALL DIMENSIONS ARE IN INCHES

1 OMIT PRIMER AND ENAMEL FROM HOLE.

Lower Arm Repair
Figure 601

58489

25-28-09

REPAIR 2-2

01.1

Page 601

Apr 01/91

CAM FOLLOWER ASSY - REPAIR 3-1

413T1022-7, -8, -11, -12, -19, -20

NOTE: Refer to REPAIR-GEN for list of applicable standard practices.

1. Bushing Replacement (IPL Figs. 1, 1A, 1B, 1C, 1D, 1E)

A. Remove bushings.

B. Coat ID of hole and OD of bushing (274, IPL Fig. 1; 355, IPL Fig. 1A; 302, IPL Fig. 1B; 425, IPL Fig. 1C; 390, IPL Fig. 1D; 323, IPL Fig. 1E) with BMS 10-11, type 1 primer and press bushing into cam follower (278, 279, 280, 281, IPL Fig. 1; 361, 364, 367, 367A, 367B, IPL Fig. 1A; 310, 311, 312, 313, IPL Fig. 1B; 441, 444, 447, 450, 451, 452, IPL Fig. 1C; 393, 393A, 393B, 396, 396A, 396B IPL Fig. 1D; 329, 329A, 329B, 332, 332A, 332B, IPL Fig. 1E) per 20-50-03.

25-28-09

REPAIR 3-1

01.1

Page 601

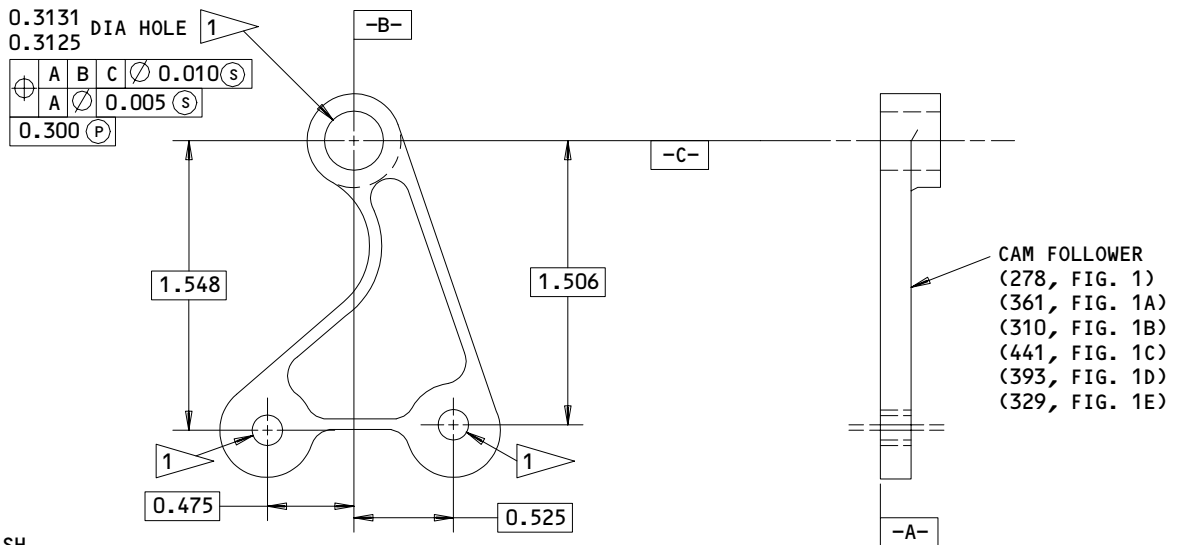
Apr 01/91

CAM FOLLOWER - REPAIR 3-2

413T1022-9, -10, -13, -14, -17, -18

1. Refinish

NOTE: Repair consists of stripping and restoring original finish. Refer to Fig. 601 for refinish procedures and to REPAIR-GEN for list of applicable standard practices.



REFINISH

TREAT SURFACES PER MIL-C-5541 (COLORED FILM)
OR MIL-A-8625 (CHROMIC ACID ANODIZE).
APPLY 1 COAT BMS 10-11, TYPE 1 PRIMER (F-18.05).
APPLY BMS 10-23, TYPE 1 PRIMER AND TYPE 2
ENAMEL (F-22.05-7362).

ALL DIMENSIONS ARE IN INCHES

1 OMIT PRIMER AND ENAMEL FROM HOLE.

Cam Follower Repair
Figure 601

58490

25-28-09

REPAIR 3-2

01.1

Page 601

Apr 01/91

ACTUATOR ASSY - REPAIR 4-1

413T1023-1, -2

NOTE: Refer to REPAIR-GEN for list of applicable standard practices.

1. Bushing Replacement (IPL Fig. 1, 1A, 1B, 1C, 1D, 1E)

A. Remove bushings.

B. Install bushings (266, 268 Fig. 1; 334, 337 Fig. 1A; 286, 288, IPL Fig. 1B; 411, 414, IPL Fig. 1C; 426, 429, IPL Fig. 1D; 305, 308, IPL Fig. 1E) per 20-50-03.

(1) Coat ID of hole and OD of bushing with BMS 10-11, type 1 primer. Press bushings into actuator (270, 271 Fig. 1; 340, 343, IPL Fig. 1A; 290, 292, IPL Fig. 1B; 417, 420, IPL Fig. 1C; 432, 435, IPL Fig. 1D; 311, 314, IPL Fig. 1E) while primer is wet.

(2) Fillet seal bushing flange to actuator with BMS 5-95 sealant.

25-28-09

REPAIR 4-1

01.1

Page 601

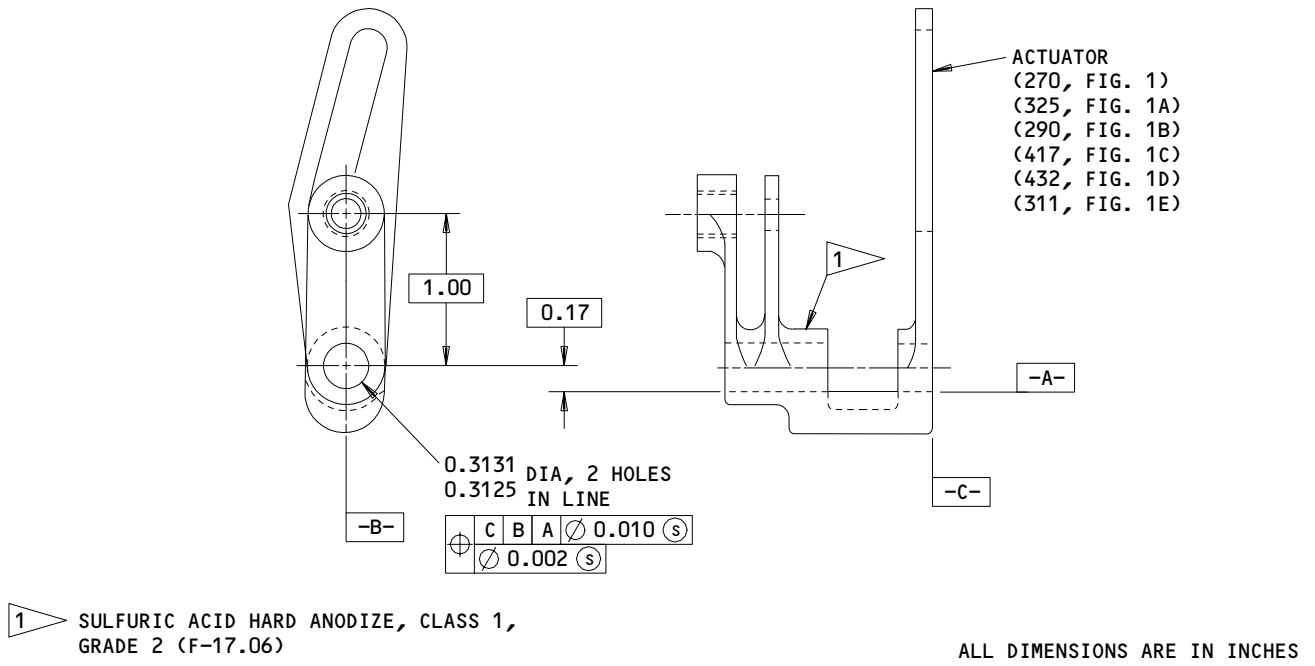
Apr 01/91

ACTUATOR – REPAIR 4-2

413T1023-3, -4

1. Refinish

NOTE: Repair consists of stripping and restoring original finish. Refer to Fig. 601 for refinish procedures and to REPAIR-GEN for list of applicable standard practices.



Actuator Repair
Figure 601

58495

25-28-09

REPAIR 4-2

01.1

Page 601

Apr 01/91

FITTING ASSY – REPAIR 5-1

412T2014-1

NOTE: Refer to REPAIR GEN for list of applicable standard practices.

1. Bushing Replacement (IPL Figs. 1, 1A, 1B, 1C, 1D, 1E)

- A. Remove bushing.
- B. Coat ID of hole and OD of bushing (362, IPL Fig. 1, 472, IPL Fig. 1A; 393, IPL Fig. 1B; 570, IPL Fig. 1C; 480B, IPL Fig. 1D; 419B, IPL Fig. 1E) with BMS 10-11, type 1 and press bushing into fitting (364 IPL Fig. 1, 475 IPL Fig. 1A; 395, IPL Fig. 1B; 573, IPL Fig. 1C, 483, Fig. 1D; 422, IPL Fig. 1E) while primer is wet per 20-50-03.
- C. Fillet seal bushing flange to fitting with BMS 5-95 sealant per 20-50-03.

25-28-09

REPAIR 5-1

01.1

Page 601

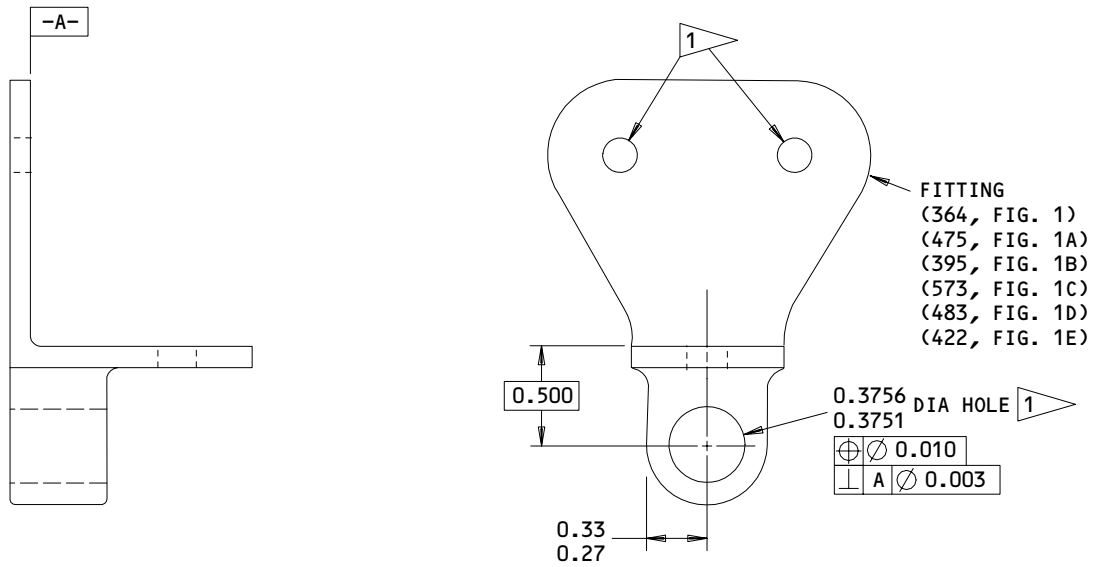
Apr 01/91

FITTING - REPAIR 5-2

412T2014-2

1. Refinish

NOTE: Repair consists of stripping and restoring original finish. Refer to Fig. 601 for refinish procedures and to REPAIR-GEN for list of applicable standard practices.



REFINISH

CHROMIC ACID ANODIZE PER MIL-A-8625, TYPE 1
AND APPLY 1 COAT BMS 10-11, TYPE 1 PRIMER
(F-18.13).

ALL DIMENSIONS ARE IN INCHES

1 OMIT PRIMER FROM HOLE.

Fitting Repair
Figure 601

58499

25-28-09

REPAIR 5-2

01.1

Page 601

Apr 01/91

FITTING ASSY - REPAIR 6-1

412T3108-1 thru -6
412T3109-1 thru -6, -9, -10

NOTE: Refer to REPAIR-GEN for list of applicable standard practices.

1. Bushing Replacement (IPL Figs. 1, 1A, 1B, 1C, 1D, 1E)

A. Remove bushings.

B. Install bushings per 20-50-03.

(1) Coat ID of holes and OD of bushings with BMS 10-11, type 1 primer and install bushings while primer is wet.

(a) Press bushings (62 IPL Fig. 1; 24 IPL Fig. 1A; 22, 24, 26, IPL Fig. 1B; 30, IPL Fig. 1C; 30A, 33A, IPL Fig. 1D; 41A, IPL Fig. 1E) into upper and lower holes respectively in fittings (64 IPL Fig. 1; 27 Fig. 1A; 30, IPL Fig. 1B; 33, IPL Fig. 1C; 39, IPL Fig. 1D; 44, 47, IPL Fig. 1E).

(b) Press bushings (104, 106 IPL Fig. 1; 75, 78 IPL Fig. 1A; 70, 72, IPL Fig. 1B; 84, 87, IPL Fig. 1C; 90, 93, IPL Fig. 1D; 62, 65, IPL Fig. 1E) into upper and lower holes respectively in fittings (108 IPL Fig. 1, 81 IPL Fig. 1A; 74, IPL Fig. 1B; 90, IPL Fig. 1C; 96, IPL Fig. 1D; 68, 71, IPL Fig. 1E).

(c) Press bushing (450 IPL Fig. 1, 613 IPL Fig. 1A; 542, 542A, IPL Fig. 1B; 738, IPL Fig. 1C; 797, 797A, IPL Fig. 1D; 588, IPL Fig. 1E) into fitting (454 IPL Fig. 1, 619 IPL Fig. 1A; 608, IPL Fig. 1B; 744, 747, IPL Fig. 1C; 803, 803A, 806, IPL Fig. 1D; 594, 597, IPL Fig. 1E).

(d) Press bushing (466 IPL Fig. 1, 631 IPL Fig. 1A; 558, IPL Fig. 1B; 762, IPL Fig. 1C; 776, IPL Fig. 1D; 665, IPL Fig. 1E) into fitting (468 IPL Fig. 1, 634, IPL Fig. 1A; 560, IPL Fig. 1B; 765, IPL Fig. 1C; 779, 782, IPL Fig. 1D; 667, 669 IPL Fig. 1E).

(2) Fillet seal bushing flange to fitting with BMS 5-95 sealant.

25-28-09

REPAIR 6-1

01.1

Page 601

Apr 01/91

MISCELLANEOUS PARTS REFINISH – REPAIR 7-1

NOTE: Refer to REPAIR-GEN for list of applicable standard practices.

1. Repair of parts listed in Fig. 601 consists of restoration of original finish.

IPL FIG. & ITEM	MATERIAL	FINISH
<u>Fig. 1</u>		
Doubler (60, 452), Fitting (64, 66, 68, 108, 110, 364, 454, 456, 468, 470, 482, 528), Filler (80), Bracket (181B, 181C, 184), Rail (376, 439, 440), Channel (392, 412, 414), Spacer (476)	Al alloy	Chromic acid anodize per MIL-A-8625, type 1 and apply 1 coat BMS 10-11, type 1 primer (F-18.13).
Strike (121)	Al alloy	Apply directional coarse grain buff satin finish using L-Lea Compound of 120 grit aluminum oxide or equivalent direction optional. Apply BMS 10-78 clear baking enamel (F-14.26).
Pin (146A, 150A), Bolt (160), Screw (250, 251, 252, 252G, 302, 314), Roller (256), Shaft (304)	CRES 303	Prepare surface and passivate, method 2 (F-17.09). Apply thin coat of dry film lubricant per Fig. 602.
Arm (152)	Al alloy	Sulfuric acid hard anodize, class 1 grade 2 (F-17.06).
Bracket (164, 170, 172, 189)	Al alloy	Chromic acid anodize per MIL-A-8625, type 1 and apply 1 coat BMS 10-11, type 1 primer (F-18.13). Apply BMS 10-83, type 1 primer and type 2 enamel (F-22.05-7362).

Refinish Details
Figure 601 (Sheet 1)

25-28-09

REPAIR 7-1

01

Page 601

Oct 01/87

IPL FIG. & ITEM	MATERIAL	FINISH
<u>Fig. 1</u> (Cont)		
Support (213,213A)	Al alloy	Chemical treat per MIL-C-5541 (colored film). Apply 1 coat BMS 10-11, type 1 primer (F-18.06).
Disc Plate (192, 193)	Al alloy	Chemical treat per MIL-C-5541 (colored film). Apply 1 coat BMS 10-11, type 1 primer (F-18.06) and type 2 white gloss enamel (F-21.03).
Bracket (225,255A)	Al alloy	Apply BMS 10-83, type 1 primer and type 2 enamel (F-22.05-7362).
Hinge Assy (230, 230A,230B,232, 232A,232B)	Al alloy	On all exterior surfaces, including edges of cutouts, apply BMS 10-55, flat water emulsion paint (F-14.942-712) then apply BMS 10-83, type 1 primer and type 2 enamel (F-22.05-7362).
Doubler (242)	Al alloy	Anodize per MIL-A-8625, type 1 (chromic acid) or type 2 (sulfuric acid) (F-17.05).
Bracket assy (416, 418)	Al alloy	Anodize per MIL-A-8625, type 1 (chromic acid) or type 2 (sulfuric acid) (F-17.05) then apply 1 coat BMS 10-11, type 1 primer (F-20.02).
Doubler (494, 496)	Al alloy	Treat surface per MIL-C-5541 (colored film) or MIL-A-8625, type 1 (chromic acid anodize). Apply 1 coat BMS 10-11, type 1 primer (F-18.05). Apply BMS 10-83, type 1 primer and type 2 enamel per Fig. 603 (F-22.05-7362).

Refinish Details
Figure 601 (Sheet 2)

25-28-09

REPAIR 7-1

01 Page 602

Oct 01/87

IPL FIG. & ITEM	MATERIAL	FINISH
<u>Fig. 1</u> (Cont)		
Body (162)	Al alloy	Sulfuric acid hard anodize, class 1, grade 2 per Fig. 604 (F-17.06). Apply directional coarse grain buff satin finish using L-Lea Compound of 120 grit aluminum oxide or equivalent. Apply in direction shown in Fig. 604 then apply BMS 10-78 clear baking enamel (F-14.26).
Tube (516)	Al alloy	Treat all surfaces per MIL-C-5541 (colored film) and apply 1 coat BMS 10-11, type 1 primer (F-18.07).
Nut (532), Sleeve (534)	4340 Steel, 180-200 ksi	Cadmium plate (0.0002 to 0.0004 inch) per QQ-P-416, type 2, class 3 (F-15.02).
Retainer (549)	Al alloy	Apply directional coarse grain buff satin finish per Fig. 605 using L-Lea compound of 120 grit aluminum oxide or equivalent then sulfuric acid anodize (F-14.251).
<u>Fig. 1A</u>		
Doubler (21, 616), Fitting (27, 28, 54, 81, 82, 475, 619, 620, 634, 635, 652, 691), Filler (45), Bracket (207), Rail 490, 601, 602), Channel (514, 553, 554), Spacer (643)	Al alloy	Chromic acid anodize per MIL-A-8625, type 1 and apply 1 coat BMS 10-11, type 1 primer (F-18.13).

Refinish Details
Figure 601 (Sheet 3)

25-28-09

REPAIR 7-1

01

Page 603

Oct 01/87

IPL FIG. & ITEM	MATERIAL	FINISH
<u>Fig. 1A</u> (Cont)		
Strike (99)	Al alloy	Apply directional coarse grain buff satin finish using L-Lea Compound of 120 grit aluminum oxide or equivalent direction optional. Apply BMS 10-78 clear baking enamel (F-14.26).
Pin (141, 147), Bolt (162), Screw (304, 310, 394, 415), Roller (322), Shaft (400)	CRES 303	Prepare surface and passivate, method 2 (F-17.09). Apply thin coat of dry film lubricant per Fig. 602.
Arm (150)	Al alloy	Sulfuric acid hard anodize, class 1 grade 2 (F-17.06).
Bracket (174, 18C, 187, 198, 199, 216)	Al alloy	Chromic acid anodize per MIL-A-8625, type 1 and apply 1 coat BMS 10-11, type 1 primer (F-18.13). Apply BMS 10-83, type 1 primer and type 2 enamel (F-22.05-7362).
Support (246)	Al alloy	Chemical treat per MIL-C-5541 (colored film). Apply 1 coat BMS 10-11, type primer (F-18.06).
Disc Plate (217, 218)	Al alloy	Chemical treat per MIL-C-5541 (colored film). Apply 1 coat BMS 10-11, type 1 primer (F-18.06) and type 2 white gloss enamel (F-21.03).
Bracket (725)	Al alloy	Apply BMS 10-83, type 1 primer and type 2 enamel (F-22.05-7362).
Hinge Assy (259, 262)	Al alloy	On all exterior surfaces, including edges of cutouts, apply BMS 10-55, flat water emulsion paint (F-14.942-712) then apply BMS 10-83, type 1 primer and type 2 enamel (F-22.05-7362).

Refinish Details
Figure 601 (Sheet 4)

25-28-09

REPAIR 7-1

01

Page 604

Oct 01/87

IPL FIG. & ITEM	MATERIAL	FINISH
<u>Fig. 1A</u> (Cont)		
Doubler (289)	Al alloy	Anodize per MIL-A-8625, type 1 (chromic acid) or type 2 (sulfuric acid) (F-17.05).
Bracket assy (556, 557)	Al alloy	Anodize per MIL-A-8625, type 1 (chromic acid) or type 2 (sulfuric acid) (F-17.05) then apply 1 coat BMS 10-11, type 1 primer (F-20.02).
Doubler (661, 662)	Al alloy	Treat surface per MIL-C-5541 (colored film) or MIL-A-8625, type 1 (chromic acid anodize). Apply 1 coat BMS 10-11, type 1 primer (F-18.05). Apply BMS 10-83, type 1 primer and type 2 enamel per Fig. 603 (F-22.05-7362).
Body (165)	Al alloy	Sulfuric acid hard anodize, class 1, grade 2 per Fig. 604 (F-17.06). Apply directional coarse grain buff satin finish using L-Lea Compound of 120 grit aluminum oxide or equivalent. Apply in direction shown in Fig. 604 then apply BMS 10-78 clear baking enamel (F-14.26).
Tube (673)	Al alloy	Treat all surfaces per MIL-C-5541 (colored film) and apply 1 coat BMS 10-11, type 1 primer (F-18.07).
Nut (697), Sleeve (700)	4340 Steel, 180-200 ksi	Cadmium plate (0.0002 to 0.0004 inch) per QQ-P-416, type 2, class 3 (F-15.02).
Retainer (724)	Al alloy	Apply directional coarse grain buff satin finish per Fig. 605 using L-Lea compound of 120 grit aluminum oxide or equivalent then sulfuric acid anodize (F-14.251).

Refinish Details
Figure 601 (Sheet 5)

25-28-09

REPAIR 7-1

01

Page 605

Oct 01/87

IPL FIG. & ITEM	MATERIAL	FINISH
<u>Fig. 1B</u> Doubler (28,544), Fitting (30,30A, 32,74,74A,395, 546,546A,546B, 548,560,567,590, 612) Filler (43), Bracket (161A,169) Rails (424,422, 426) Channels 446,480,482) Spacer (571)	Al alloy	Chromic acid anodize per MIL-A-8625, type 1 and apply 1 coat BMS 10-11, type 1 primer (F-18.13).
Strike (86)	Al alloy	Apply directional coarse grain buff satin finish using L-Lea Compound of 120 grit aluminum oxide or equivalent direction optional. Apply BMS 10-78 clear baking enamel (F-14.26).
Pin (118,122), Bolt (126), Screw (270,272,336,352), Roller (276), Shaft (342)	CRES 303	Prepare surface and passivate, method 2 (F-17.09). Apply thin coat of dry film lubricant per Fig. 602.
Arm (124)	Al alloy	Sulfuric acid hard anodize, class 1 grade 2 (F-17.06).
Bracket (142,150,150A,175)	Al alloy	Chromic acid anodize per MIL-A-8625, type 1 and apply 1 coat BMS 10-11, type 1 primer (F-18.13). Apply BMS 10-83, type 1 primer and type 2 enamel (F-22.05-7362).

Refinish Details
Figure 601 (Sheet 6)

25-28-09

REPAIR 7-1

01 Page 606

Oct 01/87

IPL FIG. & ITEM	MATERIAL	FINISH
<u>Fig. 1B</u> (Cont)		
Support (227)	Al alloy	Chemical treat per MIL-C-5541 (colored film). Apply 1 coat BMS 10-11, type 1 primer (F-18.06).
Hinge Assy (242, 242A, 242B, 244, 244A, 244B)	Al alloy	On all exterior surfaces, including edges of cutouts, apply BMS 10-55, flat water emulsion paint (F-14.942-712) then apply BMS 10-83, type 1 primer and type 2 enamel (F-22.05-7362).
Doubler (258)	Al alloy	Anodize per MIL-A-8625, type 1 (chromic acid) or type 2 (sulfuric acid) (F-17.05).
Bracket assy (484, 486)	Al alloy	Anodize per MIL-A-8625, type 1 (chromic acid) or type 2 (sulfuric acid) (F-17.05) then apply 1 coat BMS 10-11, type 1 primer (F-20.02).
Doubler (581, 584)	Al alloy	Treat surface per MIL-C-5541 (colored film) or MIL-A-8625, type 1 (chromic acid anodize). Apply 1 coat BMS 10-11, type 1 primer (F-18.05). Apply BMS 10-83, type 1 primer and type 2 enamel per Fig. 603 (F-22.05-7362).

Refinish Details
Figure 601 (Sheet 7)

25-28-09

REPAIR 7-1

01

Page 607

Oct 01/87

IPL FIG. & ITEM	MATERIAL	FINISH
<u>Fig. 1B</u> (Cont)		
Body (134)	Al alloy	Sulfuric acid hard anodize, class 1, grade 2 per Fig. 604 (F-17.06). Apply directional coarse grain buff satin finish using L-Lea Compound of 120 grit aluminum oxide or equivalent. Apply in direction shown in Fig. 604 then apply BMS 10-78 clear baking enamel (F-14.26).
Tube (597)	Al alloy	Treat all surfaces per MIL-C-5541 (colored film) and apply 1 coat BMS 10-11, type 1 primer (F-18.07).
Nut (617), Sleeve (619)	4340 Steel, 180-200 ksi	Cadmium plate (0.0002 to 0.0004 inch) per QQ-P-416, type 2, class 3 (F-15.02).
Retainer (635)	Al alloy	Apply directional coarse grain buff satin finish per Fig. 605 using L-Lea compound of 120 grit aluminum oxide or equivalent then sulfuric acid anodize (F-14.251).

Refinish Details
 Figure 601 (Sheet 8)

25-28-09

REPAIR 7-1

Page 608

Oct 01/87

01

IPL FIG. & ITEM	MATERIAL	FINISH
<u>Fig. 1C</u> Doubler (27,741, Fitting (33,36,51, 90,93,573,744,747, 765,768,807,864) Filler (48) Bracket (201,204, 237), Rail (588, 720,723), Channel (618,660,663)	Al alloy	Chromic acid anodize per MIL-A-8625, type 1 and apply 1 coat BMS 10-11, type 1 primer (F-18.13).
Strike (108)	Al alloy	Apply directional coarse grain buff satin finish using L-Lea Compound of 120 grit aluminum oxide or equivalent direction optional. Apply BMS 10-78 clear baking enamel (F-14.26).
Pin (150,156), Bolt (171), Screw (381,387,483,507), Roller (396), Shaft (492)	CRES 303	Prepare surface and passivate, method 2 (F-17.09). Apply thin coat of dry film lubricant per Fig. 602.
Arm (159)	Al alloy	Sulfuric acid hard anodize, class 1 grade 2 (F-17.06).
Bracket (183,201, 204,237)	Al alloy	Chromic acid anodize per MIL-A-8625, type 1 and apply 1 coat BMS 10-11, type 1 primer (F-18.13). Apply BMS 10-83, type 1 primer and type 2 enamel (F-22.05-7362).

Refinish Details
Figure 601 (Sheet 9)

25-28-09

REPAIR 7-1

01

Page 609

Oct 01/87

IPL FIG. & ITEM	MATERIAL	FINISH
<u>Fig. 1C</u> (Cont)		
Support (297)	Al alloy	Chemical treat per MIL-C-5541 (colored film). Apply 1 coat BMS 10-11, type 1 primer (F-18.06).
Hinge Assy (300, 300A, 300B, 303, 303A, 303B)	Al alloy	On all exterior surfaces, including edges of cutouts, apply BMS 10-55, flat water emulsion paint (F-14.942-712) then apply BMS 10-83, type 1 primer and type 2 enamel (F-22.05-7362).
Doubler (348)	Al alloy	Anodize per MIL-A-8625, type 1 (chromic acid) or type 2 (sulfuric acid) (F-17.05).
Bracket assy (666, 669)	Al alloy	Anodize per MIL-A-8625, type 1 (chromic acid) or type 2 (sulfuric acid) (F-17.05) then apply 1 coat BMS 10-11, type 1 primer (F-20.02).
Doubler (846, 849)	Al alloy	Treat surface per MIL-C-5541 (colored film) or MIL-A-8625, type 1 (chromic acid anodize). Apply 1 coat BMS 10-11, type 1 primer (F-18.05). Apply BMS 10-83, type 1 primer and type 2 enamel per Fig. 603 (F-22.05-7362).

Refinish Details
Figure 601 (Sheet 10)

25-28-09

REPAIR 7-1

01 Page 610

Oct 01/87

IPL FIG. & ITEM	MATERIAL	FINISH
<u>Fig. 1C</u> (Cont)		
Body (174,174A)	Al alloy	Sulfuric acid hard anodize, class 1, grade 2 per Fig. 604 (F-17.06). Apply directional coarse grain buff satin finish using L-Lea Compound of 120 grit aluminum oxide or equivalent. Apply in direction shown in Fig. 604 then apply BMS 10-78 clear baking enamel (F-14.26).
Tube (789)	Al alloy	Treat all surfaces per MIL-C-5541 (colored film) and apply 1 coat BMS 10-11, type 1 primer (F-18.07).
Nut (813), Sleeve (816)	4340 Steel, 180-200 ksi	Cadmium plate (0.0002 to 0.0004 inch) per QQ-P-416, type 2, class 3 (F-15.02).
Retainer (888)	Al alloy	Apply directional coarse grain buff satin finish per Fig. 605 using L-Lea compound of 120 grit aluminum oxide or equivalent then sulfuric acid anodize (F-14.251).

Refinish Details
Figure 601 (Sheet 11)

25-28-09

REPAIR 7-1

01

Page 611

Oct 01/87

IPL FIG. & ITEM	MATERIAL	FINISH
<u>Fig. 1D</u> Doubler (36,800) Fitting (39,39A, 42,66,96,99,483, 720,752,774,782, 803,803A,806) Filler (63) Bracket (201,204, 246,249) Rail (501,501A,501B, 503,503A,642,642A, 645,646,648,648A, 651,652), Channel (528,570,573), Spacer (690)	Al alloy	Chromic acid anodize per MIL-A-8625, type 1 and apply 1 coat BMS 10-11, type 1 primer (F-18.13).
Strike (126)	Al alloy	Apply directional coarse grain buff satin finish using L-Lea Compound of 120 grit aluminum oxide or equivalent direction optional. Apply BMS 10-78 clear baking enamel (F-14.26).
Pin (171,177), Bolt (183, Screw (345,348,372,399) Roller (351,354) Shaft (402)	CRES 303	Prepare surface and passivate, method 2 (F-17.09). Apply thin coat of dry film lubricant per Fig. 602.
Arm (180)	Al alloy	Sulfuric acid hard anodize, class 1 grade 2 (F-17.06).
Bracket (201,204, 225,228)	Al alloy	Chromic acid anodize per MIL-A-8625, type 1 and apply 1 coat BMS 10-11, type 1 primer (F-18.13). Apply BMS 10-83, type 1 primer and type 2 enamel (F-22.05-7362).

Refinish Details
Figure 601 (Sheet 12)

25-28-09

REPAIR 7-1

01.1 Page 612

Apr 01/91

IPL FIG. & ITEM	MATERIAL	FINISH
<u>Fig. 1D</u> (Cont)		
Support (459)	Al alloy	Chemical treat per MIL-C-5541 (colored film). Apply 1 coat BMS 10-11, type 1 primer (F-18.06).
Hinge Assy (252, 255)	Al alloy	On all exterior surfaces, including edges of cutouts, apply BMS 10-55, flat water emulsion paint (F-14.942-712) then apply BMS 10-83, type 1 primer and type 2 enamel (F-22.05-7362).
Doubler (242)	Al alloy	Anodize per MIL-A-8625, type 1 (chromic acid) or type 2 (sulfuric acid) (F-17.05).
Bracket assy (576, 577, 579, 580)	Al alloy	Anodize per MIL-A-8625, type 1 (chromic acid) or type 2 (sulfuric acid) (F-17.05) then apply 1 coat BMS 10-11, type 1 primer (F-20.02).
Doubler (746, 749)	Al alloy	Treat surface per MIL-C-5541 (colored film) or MIL-A-8625, type 1 (chromic acid anodize). Apply 1 coat BMS 10-11, type 1 primer (F-18.05). Apply BMS 10-83, type 1 primer and type 2 enamel per Fig. 603 (F-22.05-7362).

Refinish Details
Figure 601 (Sheet 13)

25-28-09

REPAIR 7-1

01.1

Page 613

Apr 01/91

IPL FIG. & ITEM	MATERIAL	FINISH
<u>Fig. 1E</u> (Cont)		
Channel (510,513)	Al alloy	Chemical treat to meet the requirements of MIL-C-5541 (colored film). Apply one coat of BMS 10-11, type 1 primer according to BAC5736, (F-18.06).
Strike (107)	Al alloy	Apply directional coarse grain buff satin finish using L-Lea Compound of 120 grit aluminum oxide or equivalent direction optional. Apply BMS 10-78 clear baking enamel (F-14.26).
Pin (143,149) Bolt (164), Screw (242,245,269,293) Roller (251,254) Shaft (278)	CRES 303	Prepare surface and passivate, method 2 (F-17.09). Apply thin coat of dry film lubricant per Fig. 602.
Arm (152)	Al alloy	Sulfuric acid hard anodize, class 1 grade 2 (F-17.06).
Bracket (176,179)	Al alloy	Chromic acid anodize per MIL-A-8625, type 1 and apply 1 coat BMS 10-11, type 1 primer (F-18.13). Apply BMS 10-83, type 1 primer and type 2 enamel (F-22.05-7362).
Support (407)	Al alloy	Chemical treat per MIL-C-5541 (colored film). Apply 1 coat BMS 10-11, type 1 primer (F-18.06).
Hinge Assy (191, 194)	Al alloy	On all exterior surfaces, including edges of cutouts, apply BMS 10-55, flat water emulsion paint (F-14.942-712) then apply BMS 10-83, type 1 primer and type 2 enamel (F-22-05-7362).

Refinish Details
Figure 601 (Sheet 15)

25-28-09

REPAIR 7-1

01.1

Page 615

Apr 01/91

IPL FIG. & ITEM	MATERIAL	FINISH
<u>Fig. 1E</u> (Cont) Bracket Assy (516, 519)	Al alloy	Anodize per MIL-A-8625, type 1 (chromic acid) or type 2 (sulfuric acid) (F-17.05) then apply 1 coat BMS 10-11, type 1 primer (F-20.02).
Doubler (636,639)	Al alloy	Treat surface per MIL-C-5541 (colored film) or MIL-A-8625, type 1 (chromic acid anodize). Apply one coat BMS 10-11, type 1 primer (F-18.05). Apply BMS 10-83, type 1 primer and type 2 enamel per Fig. 603 (F-22.05-7362).
Body (167,167A)	Al alloy	Sulfuric acid hard anodize, class 1, grade 2 per Fig. 604 (F-17.06). Apply directional coarse grain buff satin finish using L-Lea Compound of 120 grit aluminum oxide or equivalent. Apply in direction shown in Fig. 604 then apply BMS 10-78 clear baking enamel (F-14.26).

Refinish Details
Figure 601 (Sheet 16)

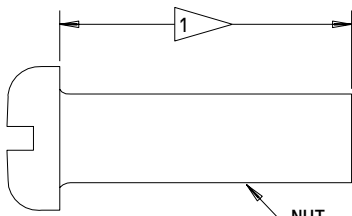
25-28-09

REPAIR 7-1

01.1

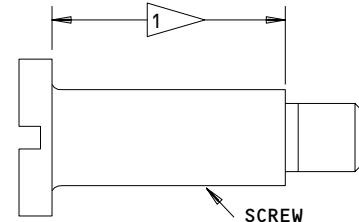
Page 616

Apr 01/91



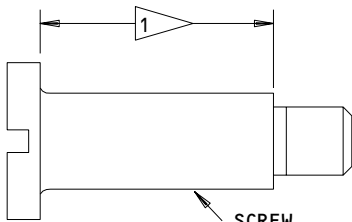
NUT
(286, FIG. 1)
(376, FIG. 1A)
(318, FIG. 1B)
(459, FIG. 1C)
(339, FIG. 1D)
(236, FIG. 1E)

413T1083-5



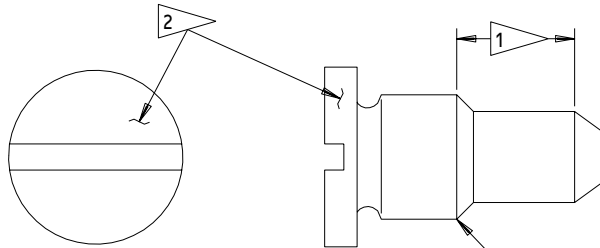
SCREW
(302, FIG. 1)
(394, FIG. 1A)
(336, FIG. 1B)
(483, FIG. 1C)

413T1083-6



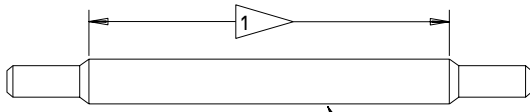
SCREW
(302G, FIG. 1)
(394A, FIG. 1A)
(338, FIG. 1B)
(486, FIG. 1C)
(272, FIG. 1D)
(269, FIG. 1E)

413T1083-11



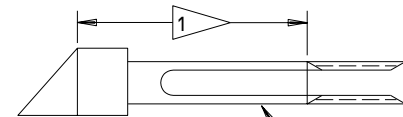
SCREW
(314, FIG. 1)
(415, FIG. 1A)
(352, FIG. 1B)
(507, FIG. 1C)
(399, FIG. 1D)
(293, FIG. 1E)

413T1083-8



SHAFT
(304, FIG. 1)
(400, FIG. 1A)
(342, FIG. 1B)
(492, FIG. 1C)
(402, FIG. 1D)
(278, FIG. 1E)

413T1084-1



BOLT
(160, FIG. 1)
(162, FIG. 1A)
(126, FIG. 1B)
(171, FIG. 1C)
(183, FIG. 1D)
(164, FIG. 1E)

413T1092-2

- 1 APPLY THIN COAT OF DRY FILM LUBRICANT.
SURFACE ROUGHNESS NO GREATER THAN 32AA.
- 2 APPLY BMS 10-83, TYPE 1 PRIMER AND TYPE 2
ENAMEL (F-22.05-7362).

Miscellaneous Refinish
Figure 602

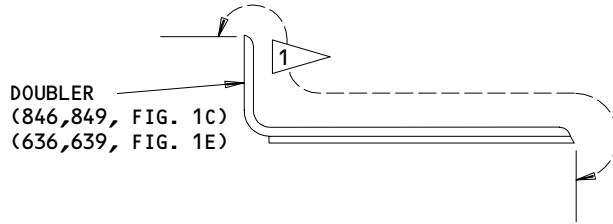
25-28-09

REPAIR 7-1

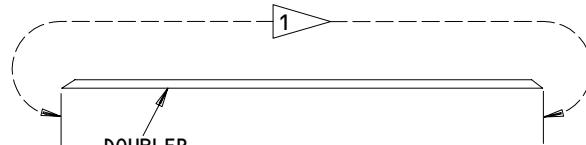
01.1

Page 617

Apr 01/91



412T2046-1,-2 (OPPOSITE)



412T2046-3,-4 (OPPOSITE)

1 TREAT SURFACE PER MIL-C-5541 (COLORED FILM) OR MIL-A-8625 (CHROMIC ACID ANODIZE)
APPLY 1 COAT BMS 10-11 TYPE 1 PRIMER (F-18.05). APPLY BMS 10-83, TYPE 1 PRIMER AND TYPE 2 ENAMEL (F-22.05-7362)

Doubler Refinish
Figure 603

58507

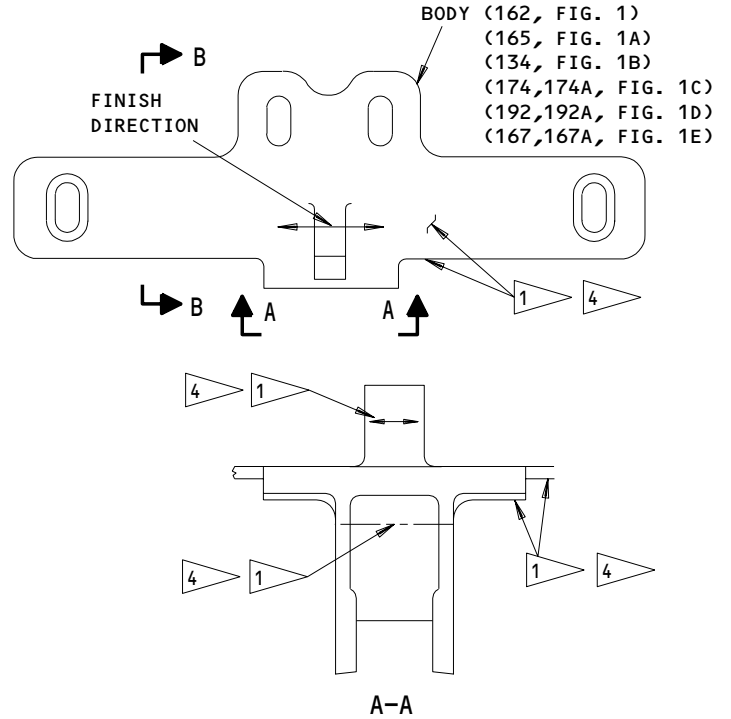
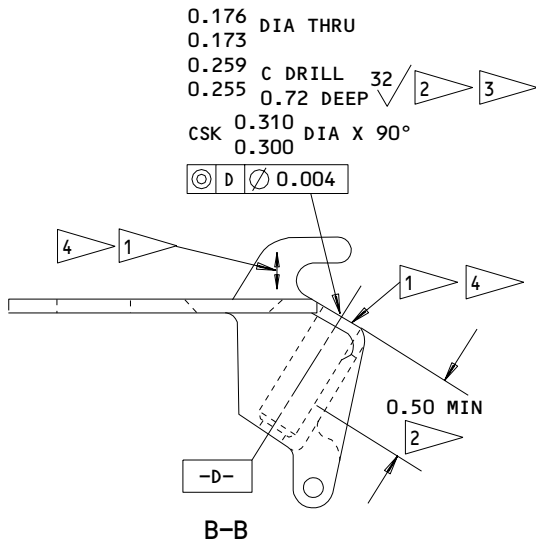
25-28-09

REPAIR 7-1

01.1

Page 618

Apr 01/91



- 1 413T1030-3
APPLY DIRECTIONAL COARSE GRAIN BUFF SATIN FINISH, AS SHOWN, USING L-LEA COMPOUND OF 120 GRIT ALUMINUM OXIDE OR EQUIVALENT. APPLY BMS 10-78 CLEAR BAKING ENAMEL (F-14.261)
- 2 SULFURIC ACID HARD ANODIZE, CLASS 1, GRADE 2 AT LEAST 0.50 IN. DEEP
- 3 DIMENSION AFTER FINISHING
- 4 413T1030-4
GLASS BEAD PEEN, BEAD SIZE 165-331, INTENSITY 0.004A-0.007A, APPLY ONE COAT OF CLEAR BAKING ENAMEL, X75114

ALL DIMENSIONS ARE IN INCHES

MATERIAL: AL ALLOY

58508

413T1030-3,-4
Body Refinish
Figure 604

58508

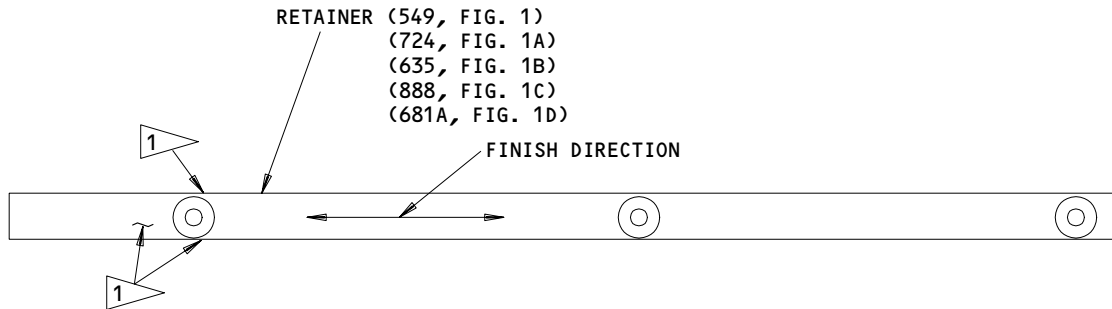
25-28-09

REPAIR 7-1

01.1

Page 619

Apr 01/91



1 APPLY DIRECTIONAL COARSE GRAIN BUFF SATIN FINISH USING L-LEA COMPOUND OF 120 GRIT ALUMINUM OXIDE OR EQUIV IN DIRECTION INDICATED, THEN SULFURIC ACID ANODIZE (F-14.251)

413T1095-3,-4
Retainer Refinish
Figure 605

58509

25-28-09

REPAIR 7-1

01.1

Page 620

Apr 01/91

ASSEMBLY

1. Materials

NOTE: Equivalent substitutes may be used.

- A. Corrosion Preventive Compound -- MIL-C-16173, grade 2 (ref 20-60-02).
- B. Corrosion Preventive Compound -- MIL-C-11796, class 3 (opt.) (Ref 20-60-02).
- C. Grease -- MIL-G-23827 (opt.) (Ref 20-60-03)
- D. Retaining Compound -- Loctite RC/680

2. Assemble stowage bin assemblies 413T1002-41 thru -46, -49 thru -51, -53, -55, -73, -75, -76, -86, -175 (IPL Fig. 1, 1A)

CAUTION: PARTS OF STOWAGE BIN ASSEMBLY ARE VISIBLE FROM CABIN INTERIOR.
SPECIAL CARE MUST BE TAKEN TO PREVENT MARRING VISIBLE SURFACES.

- A. Use standard industry practices and the following steps for assembly.
- B. Assemble tension tie assembly (512) (670).
 - (1) Apply a thin coat of corrosion preventative compound or grease to external and internal mating threads of tube (516) (673), nuts (532, 536) (697, 700), and rod end bearing (530) (694). Thread nut (536) (703) into tube until nut head is snug against tube end.
 - (2) Thread nut (532) (697) onto rod end bearing.
 - (3) Insert rod end bearing through sleeve (534) (700) and thread into nut (536) (703). Turn down until top of rod end bearing is 2.57 to 2.63 in. from end of tube (Fig. 701). Tighten nut (532) (697).
 - (4) Insert fitting assembly (520) (679) into tube (516) (673) that shoulder of fitting (528) (691) is flush within 0.02 in. of tube end. Secure fitting assembly with bolts (522) (682).

25-28-09

C. Assemble latch assemblies (140) (132)

NOTE: Bolt (160) (162) has a dry film lubricated surface which must be protected from mechanical damage and kept clean.

- (1) Put spring (158) (159) into body (162) (165) and insert bolt (160) (162) through body, spring, washer (156) (156), and into nut (154) (153). Position bolt per Fig. 702.
- (2) Insert pin (146) (141) through arm (152) and roller (148) and secure with retainers (144).
- (3) Slide arm (152) between washer (156) and body (162) and secure arm to body with pin (150) (150) and retainers (144) (138) (Fig. 702).
- (4) Tighten nut (154) (153) until proper bolt adjustment is made (Fig. 702).

D. Assemble hinge assemblies (230, 232) (259, 262)

- (1) Insert shaft (304) (400) through actuator assembly (260) (325) and lower arm assembly (306) (403).
- (2) Attach cam follower assembly (272) (346).

NOTE: Screws (250, 252, 302) (304, 310, 394) must be retained in cam follower assembly.

- (a) Retain screws (250, 252, 302) (304, 310, 394) by applying retaining compound to threads before installation, then tightening to 14 to 17 lb-in.
- (b) Insert screw (302) (394) thru washers (303) (397), lower arm assembly, and into cam follower assembly.
- (c) Insert screw (250) (304) thru roller (254) (319), cam follower assembly, washer (253) (316), and into upper arm assembly.
- (d) Insert screw (252) (310) thru roller (254) (319), slot in actuator assembly, roller (256) (322), washer (253) (316), and into cam follower assembly.

25-28-09

ASSEMBLY
Page 702
Oct 01/87

01

- (e) Retain screws (250, 252, 302) (304, 310, 394) after assembly by center punching and swaging threaded end of screw. Apply loosening torque of 15 lb-in. to screws. If screw rotates, repeat retaining operation until a minimum 15 lb-in removal torque is attained.
- (3) Apply retaining compound to threads of screws (282) (370) then attach bracket (288) (378) to upper and lower arm assemblies with nuts (286) (376), washers (284) (373), and screws (282) (370).
- (4) Attach gas spring assembly (355) (460) to actuator assembly with screw (314) (415).
- (5) Insert guide on gas spring assembly into slot in spring housing assembly (332) (433) and insert end of shaft (304) (400) into guide hole in spring housing assembly.
- (6) Insert pins in spring support assembly (318) (418) into alignment holes in spring housing assembly, with slot in support assembly over guide on gas spring assembly.
- (7) Attach receptacle assembly (350) (451) to spring support assembly and spring housing assembly with screws (352) (454).
- (8) Lay housing (239) (280) over spring housing assembly and ensure that rollers (254) (319) fit properly into grooves. Insert bolt (240) (283) through housing, spacer (242) (292), door (244), and into spring housing. Insert bolts (241) (286).
- (9) Close door (244) (292) by pushing stud (246) (295) through door and into receptacle (350) (451).
- E. Prepare faying surfaces of rail assembly (430) (577) per 20-11-03, type 2 and Fig. 702. Maximum resistance to be 0.001 ohm.
- F. Install lock (137) (130) in door assembly, and secure with washer (138) (131) and nut (139) (131G). Bend ears on washer over nut.
- G. After door panel assemblies (111, 112) (84) are attached, adjust hinge assemblies to align door panels per Fig. 704.
- H. Adjust location of bracket (181) (198) per Fig. 704.
- 3. Assemble Stowage Bin Assemblies 413T1002-57 thru -60, -63, -64, -87, -88, -95, -96, -187, -189, -190, -309 thru -312, -334, -340, -345, -346, -347, -348, -373, -374 (IPL Fig. 1B, 1C, 1D, 1E)

25-28-09

ASSEMBLY
Page 703
Apr 01/91

01.1

CAUTION: PARTS OF STOWAGE BIN ASSEMBLY ARE VISIBLE FROM CABIN INTERIOR.
SPECIAL CARE MUST BE TAKEN TO PREVENT MARRING VISIBLE SURFACES.

- A. Use standard industry practices and the following steps for assembly.
- B. Assemble tension tie assembly (595, IPL Fig. 1B; 784, IPL Fig. 1C; 697, IPL Fig. 1D).
- (1) Apply a thin coat of corrosion preventative compound or grease to external and internal mating threads of tube (597, IPL Fig. 1B; 789, IPL Fig. 1C; 700, 734, IPL Fig. 1D), nuts (617, IPL Fig. 1B; 813, IPL Fig. 1C; 698, 699, 723, IPL Fig. 1D), and rod end bearing (614, IPL Fig. 1B, 810, IPL Fig. 1C; 698N, 699N, 729, IPL Fig. 1D). Thread nut (621, IPL Fig. 1B; 819, IPL Fig. 1C; 732, IPL Fig. 1D) into tube until nut head is snug against tube end.
 - (2) Thread nut (617, IPL Fig. 1B; 813, IPL Fig. 1C; 723, 698, 699, IPL Fig. 1D) onto rod end bearing.
 - (3) Insert rod end bearing through sleeve (619, IPL Fig. 1B; 816, IPL Fig. 1C; 726, IPL Fig. 1D) and thread into nut (621, IPL Fig. 1B; 819, IPL Fig. 1C; 732 or tube 700 IPL Fig. 1D). Turn down until top of rod end bearing is 2.57 to 2.63 in. from end of tube (597, IPL Fig. 1B; 789, IPL Fig. 1C; 700, 734, IPL Fig. 1D). Tighten nut (617, IPL Fig. 1B; 813, IPL Fig. 1C; 723, 698, 699, IPL Fig. 1D).
 - (4) Insert fitting assembly (604, IPL Fig. 1B; 795, IPL Fig. 1C; 708, IPL Fig. 1D) into tube (597, IPL Fig. 1B; 789, IPL Fig. 1C, 734, IPL Fig. 1D) such that shoulder of fitting (612, IPL Fig. 1B; 807, IPL Fig. 1C; 720, IPL Fig. 1D) is flush within 0.02 in. of tube end. Secure fitting assembly with bolts (606, IPL Fig. 1B; 798, IPL Fig. 1C; 711, IPL Fig. 1D).

- C. Assemble latch assemblies (112, IPL Fig. 1B; 141, IPL Fig. 1C; 162, IPL Fig. 1D).

NOTE: Bolt (126, IPL Fig. 1B; 171, IPL Fig. 1C; 183, IPL Fig. 1D; 164, IPL Fig. 1E) has a dry film lubricated surface which must be protected from mechanical damage and kept clean.

- (1) Put spring (132, IPL Fig. 1B; 168, IPL Fig. 1C; 193, IPL Fig. 1D; 161, IPL Fig. 1E) into body (134, IPL Fig. 1B; 174, IPL Fig. 1C; 192, IPL Fig. 1D; 167, IPL Fig. 1E) and insert bolt (126, IPL Fig. 1B; 171, IPL Fig. 1C; 183, IPL Fig. 1D; 164, IPL Fig. 1E) through body, spring, washer (128, IPL Fig. 1B; 165, IPL Fig. 1C; 186, IPL Fig. 1D; 158, IPL Fig. 1E), and into nut (130, IPL Fig. 1B; 162, IPL Fig. 1C; 189, IPL Fig. 1D; 155, IPL Fig. 1E).

25-28-09

ASSEMBLY
Page 704
Apr 01/91

01.1

- (2) Insert pin (118, IPL Fig. 1B; 150, IPL Fig. 1C; 171, IPL Fig. 1D; 143, IPL Fig. 1E) through arm (124, IPL Fig. 1B; 159, IPL Fig. 1C; 180, IPL Fig. 1D; 152, IPL Fig. 1E) and roller (120, IPL Fig. 1B; 153, IPL Fig. 1C; 174, IPL Fig. 1D; 146, IPL Fig. 1E) and secure with retainers (116, IPL Fig. 1B; 147, IPL Fig. 1C; 168, IPL Fig. 1D; 140, IPL Fig. 1E).
 - (3) Slide arm (124, IPL Fig. 1D; 159, IPL Fig. 1C; 180, IPL Fig. 1D; 152, IPL Fig. 1E) between washer (128, IPL Fig. 1B; 165, IPL Fig. 1C; 186, IPL Fig. 1D; 158, IPL Fig. 1E) and body and secure arm to body with pin (122, IPL Fig. 1B; 156, IPL Fig. 1C; 177, IPL Fig. 1D; 149, IPL Fig. 1E) and retainers (116, IPL Fig. 1B; 147, IPL Fig. 1C; 168, IPL Fig. 1D; 140, IPL Fig. 1E) (Fig. 702).
 - (4) Tighten nut (130, IPL Fig. 1B; 162, IPL Fig. 1C; 189, IPL Fig. 1D; 155, IPL Fig. 1E) until proper bolt adjustment is made (Fig. 702).
- D. Assemble hinge assemblies (232, 234, IPL Fig. 1B; 300, 303 IPL Fig. 1C; 252, 255, IPL Fig. 1D; 191, 194, IPL Fig. 1E).
- (1) Insert shaft (342, IPL Fig. 1B; 492, IPL Fig. 1C; 402, IPL Fig. 1D; 278, IPL Fig. 1E) through actuator assembly (280, IPL Fig. 1B; 402, IPL Fig. 1C; 417, IPL Fig. 1D; 296, IPL Fig. 1E) and lower arm assembly (344, IPL Fig. 1B; 495, IPL Fig. 1C; 405, IPL Fig. 1D; 281, IPL Fig. 1E).
 - (2) Attach cam follower assembly (296, IPL Fig. 1B; 423, 426, IPL Fig. 1C; 381, 384, IPL Fig. 1D; 317, 320, IPL Fig. 1E).
- NOTE:** Screws (270, 272, 336, IPL Fig. 1B; 381, 387, 483, IPL Fig. 1C; 345, 348, 372, IPL Fig. 1D; 242, 245, 269, IPL Fig. 1E) must be retained in cam follower assembly.
- (a) Retain screws (270, 272, 336, IPL Fig. 1B; 381, 387, 483, IPL Fig. 1C; 345, 348, 372, IPL Fig. 1D; 242, 245, 269, IPL Fig. 1E) by applying retaining compound to threads before installation, then tightening to 14 to 17 pound-inches.
 - (b) Insert screw (336, IPL Fig. 1B; 483, IPL Fig. 1C; 372, IPL Fig. 1D; 269, IPL Fig. 1E) thru washers (340, IPL Fig. 1B; 489, IPL Fig. 1C; 375, IPL Fig. 1D; 272, IPL Fig. 1E), lower arm assembly, and into cam follower assembly.

25-28-09

ASSEMBLY
Page 705
Apr 01/91

01.1

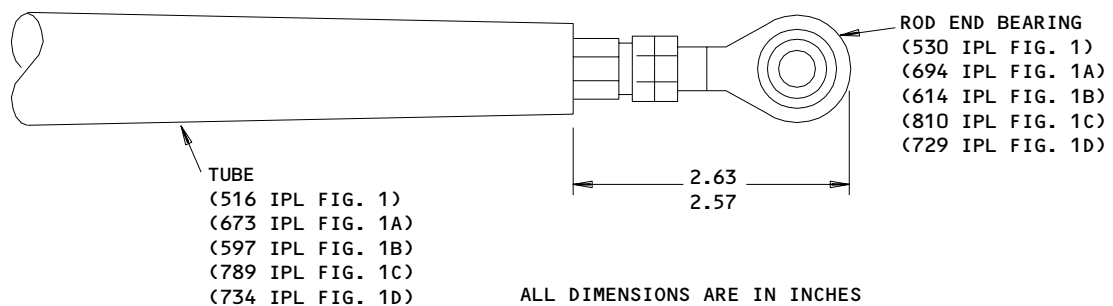
- (c) Insert screw (270, 272, 336, IPL Fig. 1B; 381, 387, 483, IPL Fig. 1C; 345, 348, 372, IPL Fig. 1D; 242, 245, 269, IPL Fig. 1E) thru roller (274, IPL Fig. 1B; 393, IPL Fig. 1C; 351, IPL Fig. 1D; 251, IPL Fig. 1E), cam follower assembly, washer (278, IPL Fig. 1B; 399, IPL Fig. 1C; 357, IPL Fig. 1D; 248, IPL Fig. 1E), and into upper arm assembly.
- (d) Insert screw (272, IPL Fig. 1B; 387, IPL Fig. 1C; 348, IPL Fig. 1D; 245, IPL Fig. 1E) thru roller (274, IPL Fig. 1B; 393, IPL Fig. 1C; 351, IPL Fig. 1D; 251, IPL Fig. 1E), slot in actuator assembly, roller (276, IPL Fig. 1B; 396, IPL Fig. 1C; 354, IPL Fig. 1D; 254, IPL Fig. 1E), washer (278, IPL Fig. 1B; 399, IPL Fig. 1C; 357, IPL Fig. 1D; 248, IPL Fig. 1E), and into cam follower assembly.
- (e) Retain screws (270, 272, 336, IPL Fig. 1B; 381, 387, 483, IPL Fig. 1C; 345, 348, 372, IPL Fig. 1D; 242, 245, 269, IPL Fig. 1E) after assembly by center punching and swaging threaded end of screw. Apply loosening torque of 15 lb-in. to screws. If screw rotates, repeat retaining operation until a minimum 15 lb-in removal torque is attained.
- (3) Attach bracket (320, IPL Fig. 1B; 462, IPL Fig. 1C; 342, IPL Fig. 1D; 239, IPL Fig. 1E) to upper and lower arm assemblies with screws (314, IPL Fig. 1B; 453, IPL Fig. 1C; 333, IPL Fig. 1D; 230, IPL Fig. 1E), washers (316, IPL Fig. 1B; 456, IPL Fig. 1C; 336, IPL Fig. 1D; 233, IPL Fig. 1E), and nuts (318, IPL Fig. 1B; 459, IPL Fig. 1C; 339, IPL Fig. 1D; 236, IPL Fig. 1E).
- (4) Attach gas spring assembly (382, IPL Fig. 1B; 558, IPL Fig. 1C; 438, IPL Fig. 1D; 377, IPL Fig. 1E) to actuator assembly with screw (352, IPL Fig. 1B; 507, IPL Fig. 1C; 399, IPL Fig. 1D; 293, IPL Fig. 1E).
- (5) Insert guide on gas spring assembly into slot in spring housing assembly (364, IPL Fig. 1B; 525, IPL Fig. 1C; 315, 318, IPL Fig. 1D; 350, 353, IPL Fig. 1E) and insert end of shaft (342, IPL Fig. 1B; 492, IPL Fig. 1C; 402, IPL Fig. 1D; 278, IPL Fig. 1E) into guide hole in spring housing assembly.
- (6) Insert pins of spring support assembly (354, IPL Fig. 1B; 510, IPL Fig. 1C; 300, 303, IPL Fig. 1D; 335, 338, IPL Fig. 1E) into alignment holes in spring housing assembly, with slot in support assembly over guide on gas spring assembly.
- (7) Attach receptacle assembly (376, IPL Fig. 1B; 549, IPL Fig. 1C; 291, IPL Fig. 1D; 368, IPL Fig. 1E) to spring support assembly and spring housing assembly with screws (378, IPL Fig. 1B; 552, IPL Fig. 1C; 294, IPL Fig. 1D; 371, IPL Fig. 1E).

25-28-09

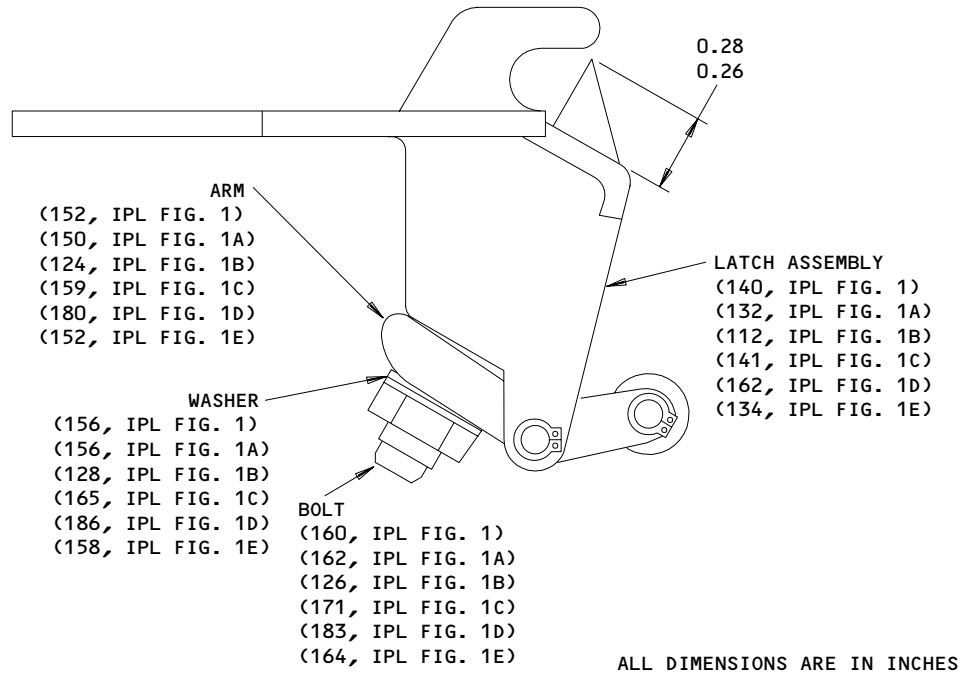
ASSEMBLY
Page 706
Apr 01/91

01.1

- (8) Lay housing (260, IPL Fig. 1B; 351, IPL Fig. 1C; 327, 330, IPL Fig. 1D; 362, 365, IPL Fig. 1E) over spring housing assembly and ensure that rollers (274, IPL Fig. 1B; 393, IPL Fig. 1C; 351, IPL Fig. 1D; 251, IPL Fig. 1E) fit properly into grooves. Insert bolt (254, IPL Fig. 1B; 342, 363, IPL Fig. 1C; 267, IPL Fig. 1D; 206, IPL Fig. 1E) through housing, spacer (262, IPL Fig. 1B 369, IPL Fig. 1C; 270, IPL Fig. 1D; 224, IPL Fig. 1E), door (268, IPL Fig. 1B, 378, IPL Fig. 1C; 288, IPL Fig. 1D; 227, IPL Fig. 1E), and into spring housing. Insert bolts (256, IPL Fig. 1B; 342, 363, IPL Fig. 1C; 273, IPL Fig. 1D; 209, IPL Fig. 1E).
 - (9) Close door (268, IPL Fig. 1B; 378, IPL Fig. 1C; 288, IPL Fig. 1D; 227, IPL Fig. 1E) by pushing stud (264, IPL Fig. 1B; 372, IPL Fig. 1C; 282, IPL Fig. 1D; 218, IPL Fig. 1E) through door and into receptacle (380, IPL Fig. 1B; 555, IPL Fig. 1C; 297, IPL Fig. 1D; 374, IPL Fig. 1E).
- E. Prepare faying surfaces of rail (510, IPL Fig. 1B; 720, IPL Fig. 1C; 642, 645, 646, IPL Fig. 1D; 567, 570, IPL Fig. 1E) per 20-11-03, type 2 and Fig. 702. Maximum resistance to be 0.001 ohm.
- F. Adjust hinge assys to attain door panel alignment shown in Fig. 704.
- G. Align brackets (161, IPL Fig. 1B; 201, IPL Fig. 1C; 246, IPL Fig. 1D) per Fig. 704.



Bearing Adjustment
Figure 701



Latch Assembly
 Figure 702

58512

25-28-09

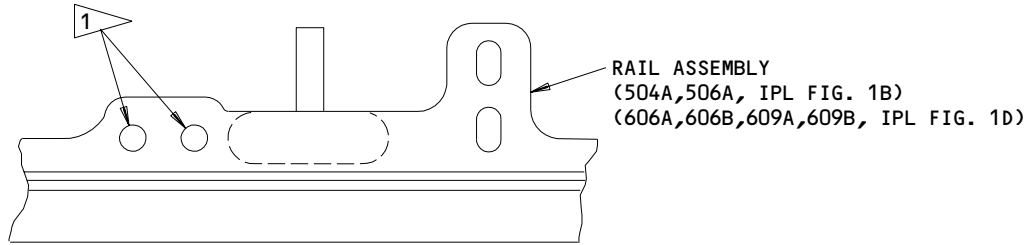
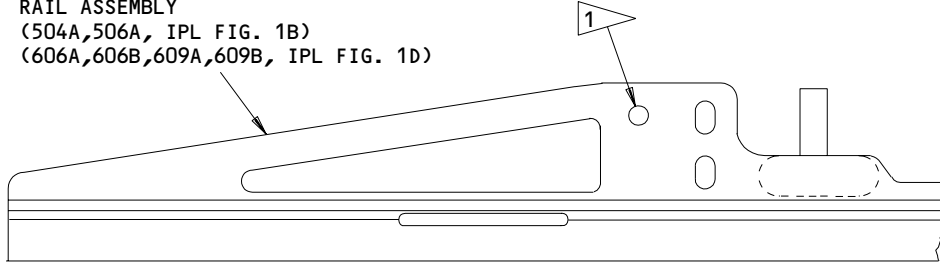
ASSEMBLY

01.1

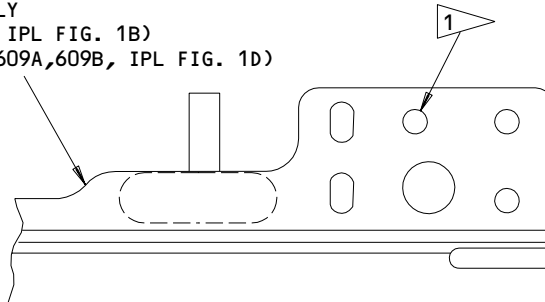
Page 708

Apr 01/91

RAIL ASSEMBLY
(504A,506A, IPL FIG. 1B)
(606A,606B,609A,609B, IPL FIG. 1D)



RAIL ASSEMBLY
(504A,506A, IPL FIG. 1B)
(606A,606B,609A,609B, IPL FIG. 1D)



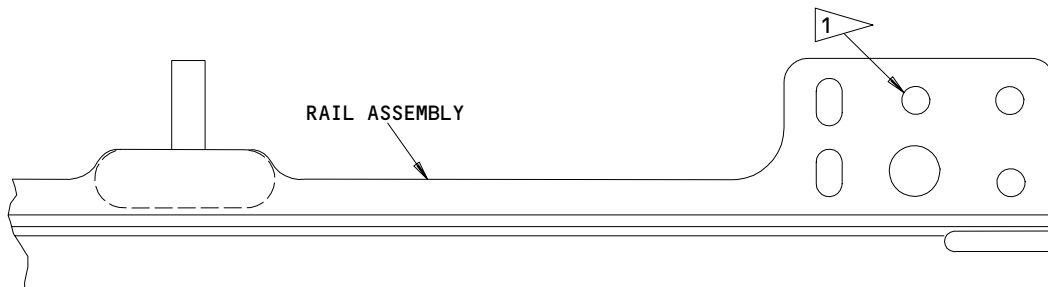
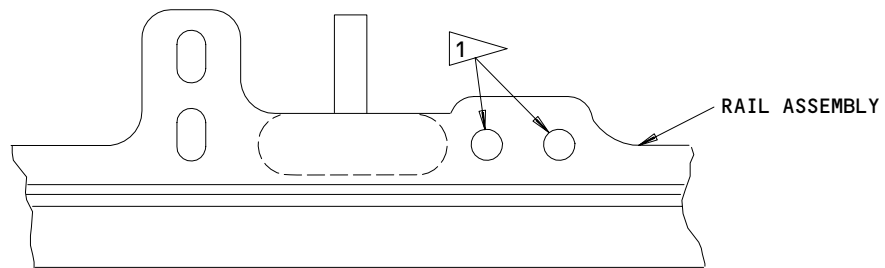
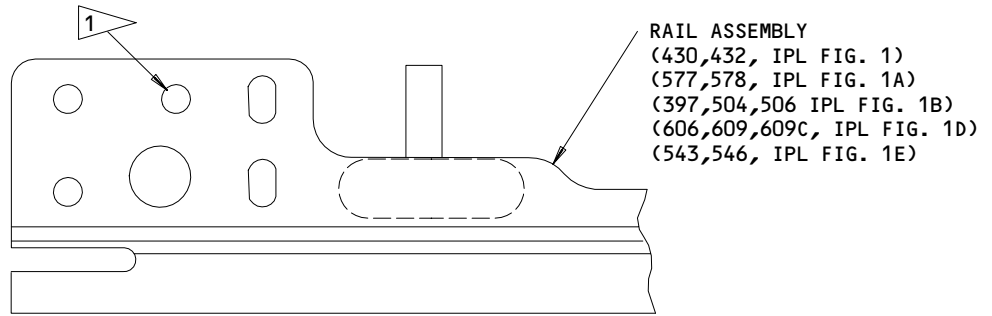
1 PREPARE FAYING SURFACES PER 20-11-03, TYPE 2.
MAXIMUM RESISTANCE TO BE 0.001 OHM.

Rail Assembly Preparation
Figure 703 (Sheet 1)

25-28-09

ASSEMBLY
Page 709
Apr 01/91

01.1



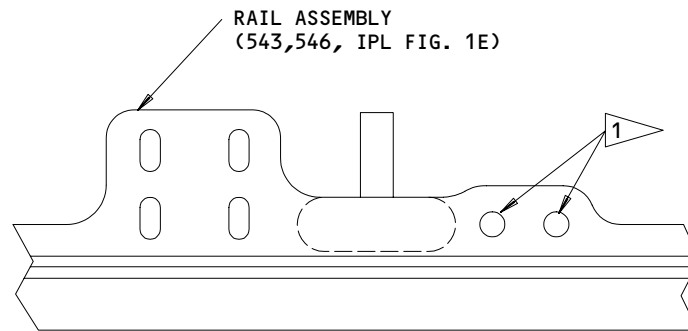
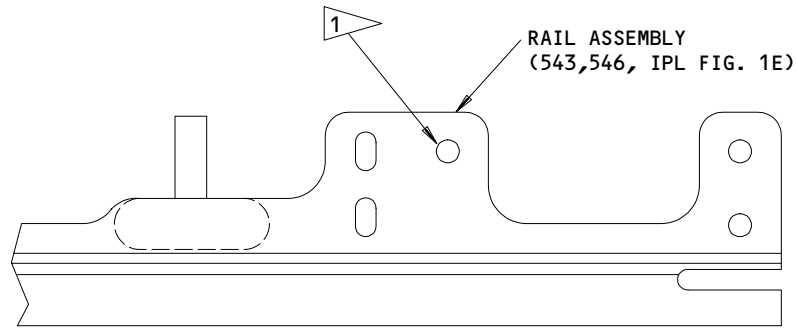
1 PREPARE FAYING SURFACES PER 20-11-03, TYPE 2.
 MAXIMUM RESISTANCE TO BE 0.001 OHM.

Rail Assembly Preparation
 Figure 703 (Sheet 2)

25-28-09

ASSEMBLY
 Page 710
 Apr 01/91

01.1



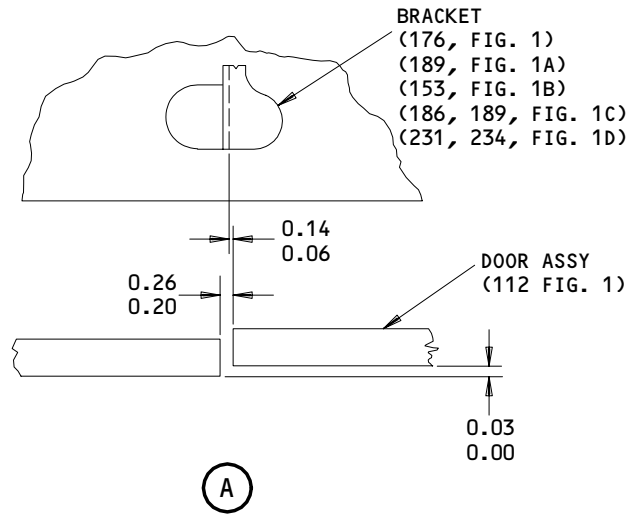
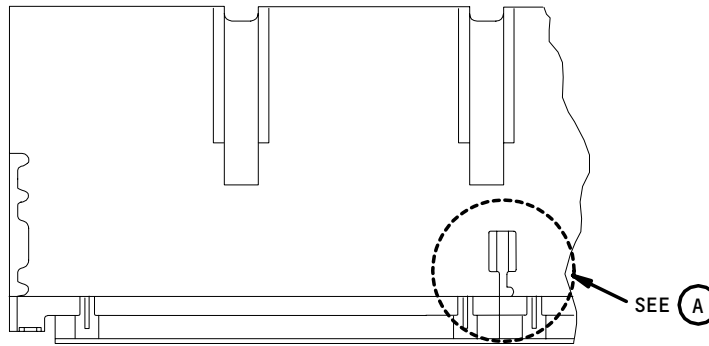
1 PREPARE FAYING SURFACES PER 20-11-03, TYPE 2.
MAXIMUM RESISTANCE TO BE 0.001 OHM.

Rail Assembly Preparation
Figure 703 (Sheet 3)

25-28-09

ASSEMBLY
Page 711
Apr 01/91

01.1



ALL DIMENSIONS ARE IN INCHES

Panel Alignment
 Figure 704

58529

25-28-09

ASSEMBLY
 Page 712
 Apr 01/91

01.101

ILLUSTRATED PARTS LIST

1. This section lists and illustrates replaceable or repairable component parts. The Illustrated Parts Catalog contains a complete explanation of the Boeing part numbering system.

2. Indentures show parts relationships as follows:

Assembly

Detail Parts for Assembly

Subassembly

Attaching Parts for Subassembly

Detail Parts for Subassembly

Detail Installation Parts (Included only if installation parts may be returned to shop as part of assembly)

3. One use code letter (A, B, C, etc.) is assigned in the EFF CODE column for each variation of top assembly. All listed parts are used on all top assemblies except when limitations are shown by use code letter opposite individual part entries.

4. Letter suffixes (alpha-variants) are added to item numbers for optional parts, Service Bulletin modification parts, configuration differences (except left- and right-hand parts), product improvement parts, and parts added between two sequential item numbers. The alpha-variant is not shown on illustrations when appearance and location of all variants of the part is the same.

5. Service Bulletin modifications are shown by the notations PRE SB XXXX and POST SB XXXX.

A. When a new top assembly part number is assigned by Service Bulletin, the notations appear at the top assembly level only. The configuration differences at detail part level are then shown by use code letter.

B. When the top assembly part number is not changed by the Service Bulletin, the notations appear at the detail part level.

6. Parts Interchangeability

Optional
(OPT)

The parts are optional to and interchangeable with other parts having the same item number.

Supersedes, Superseded By
(SUPSDS, SUPSD BY)

The part supersedes and is not interchangeable with the original part.

Replaces, Replaced By
(REPLS, REPLD BY)

The part replaces and is interchangeable with, or is an alternate to, the original part.

25-28-09

VENDORS

01556 EMHART FASTENING SYSTEMS GROUP HELI-COIL DIVISION
SHELTER ROCK LANE
DANBURY, CONNECTICUT 06810

02758 NETWORKS ELECTRONIC CORP U S BEARING DIV
9750 DESOTO AVENUE
CHATSWORTH, CALIFORNIA 91311-4409

04169 WESTERN SKY INDUSTRIES A DIVISION OF ATLAS CORPORATION
21300 CLOUD WAY
HAYWARD, CALIFORNIA 94545-1217

06710 LAMSON AND SESSIONS CO THE VALLEY-TODECO
12975 BRADLEY AVENUE
SYLMAR, CALIFORNIA 91342-3830

06725 AIR INDUSTRIES CORPORATION
12570 KNOTT STREET
GARDEN GROVE, CALIFORNIA 92641-3932

06950 SCREWCORP VSI CORP AEROSPACE PRODUCTS DIV FAIRCHILD IND INC
13001 EAST TEMPLE AVE. PO BOX 730
CITY OF INDUSTRY, CALIFORNIA 91746-1417

07757 STANDARD INSERT COMPANY
419 SARGON WAY SUITE F
HORSHAM, PENNSYLVANIA 19044

08073 MAMCO MANUFACTURING CO INC
1411 NORTHWEST 50TH
SEATTLE, WASHINGTON 98107-5123

08524 DEUTSCH FASTENER CORP SEE CODE V97928

09455 BFM TRANSPORT DYNAMICS CORP
PO BOX 1953 3131 WEST SEGERSTROM STREET
SANTA ANA, CALIFORNIA 92702-1953

25-28-09

ILLUSTRATED PARTS LIST
01.1 Page 1002
Apr 01/91

VENDORS

10630 ANILLO INDUSTRIES, INCORPORATED
2090 NORTH GLASSELL
ORANGE, CALIFORNIA 92667

11815 CHERRY AEROSPACE FASTENERS DIV OF TEXTRON
1224 EAST WARNER AVENUE PO BOX 2157
SANTA ANA, CALIFORNIA 92707

12324 DUPREE INC STAKE FASTENER CO
14395 RAMONA PO BOX 1797
CHINO, CALIFORNIA 91708

15653 KAYNAR MICRODOT AEROSPACE FASTENING SYSTEM
800 SOUTH COLLEGE BLVD PO BOX 3001
FULLERTON, CALIFORNIA 92634-3001

15860 NEW HAMPSHIRE BALL BEARINGS, INCORPORATED ASTRO DIVISION
155 LEXINGTON AVENUE
LACONIA, NEW HAMPSHIRE 03246-2937

17446 HUCK MFG CO GOV CONTRACTS LOS ANGELES DIV SUB OF FED-MOGUL
900 WATSON CENTER ROAD
CARSON, CALIFORNIA 90745

17943 FEDERAL MANUFACTURING CORPORATION
6910 FARMDALE AVENUE
NORTH HOLLYWOOD, CALIFORNIA 91605-6210

21335 TORRINGTON CO FAFNIR BEARING DIV
59 FIELD STREET
TORRINGTON, CONNECTICUT 06790-4942

23294 AVALON MACHINE PRODUCTS INC
15337 ALLEN STREET
PARAMOUNT, CALIFORNIA 90723-4011

25-28-09

ILLUSTRATED PARTS LIST
01.1 Page 1003
Apr 01/91

VENDORS

27624 PAUL R BRILES INC P.B. FASTENER DIV
1700 WEST 132ND STREET PO BOX 1157
GARDENA, CALIFORNIA 90249-2008

29666 HUCK MANUFACTURING CO SUB OF FEDERAL-MOGUL CORP
6 THOMAS
IRVINE, CALIFORNIA 92714

34742 TYEE AIRCRAFT INCORPORATED
SNOHOMISH COUNTY AIRPORT
EVERETT, WASHINGTON 98204

50294 NEW HAMPSHIRE BALL BEARINGS INC
9730 INDEPENDENCE AVENUE PO BOX 2515
CHATSWORTH, CALIFORNIA 91311-4323

52607 ACTRON MANUFACTURING INC
3800 EAST MIRA LOMA AVENUE
ANAHEIM, CALIFORNIA 92806-2108

52828 REPUBLIC FASTENER MFG CORP
1300 RANCHO CONEJO BLVD
NEWBURY PARK, CALIFORNIA 91320-1405

53551 ALLFAST FASTENING SYSTEMS INC
15200 EAST DON JELIAN ROAD PO BOX 3166
CITY OF INDUSTRY, CALIFORNIA 91745-1001

55787 GAS SPRING CORP
92 COUNTY LINE ROAD
COLMAR, PENNSYLVANIA 18915-9606

56644 AURORA BEARING CO
970 SOUTH LAKE STREET
AURORA, ILLINOIS 60506-5929

56878 SPS TECHNOLOGIES INC AEROSPACE AND INDUSTRIAL PRODUCTS DIV
HIGHLAND AVENUE
JENKINTOWN, PENNSYLVANIA 19046

25-28-09

ILLUSTRATED PARTS LIST
01.1 Page 1004
Apr 01/91

VENDORS

60119 MONADNOCK CO THE
18301 ARENTH AVENUE PO BOX 1222
CITY OF INDUSTRY, CALIFORNIA 91749

60516 WEST COAST AEROSPACE INC
812 MIRAFLORES STREET
SAN PEDRO, CALIFORNIA 90731-1439

70265 ALL POWER MANUFACTURING COMPANY
13141 MOLETTE STREET
SANTA FE SPRINGS, CALIFORNIA 90670-5523

71087 BOOTS ACFT NUT DIV TOWNSEND CO SEE TEXTRON INC CHERRY
FASTENER TOWNSEND DIV V11815

71286 REXNORD INC SPECIALITY FASTENER DIV
601 ROUTE 46 WEST, PO BOX 601
HASBROUCK HEIGHTS, NEW JERSEY 07604-3118

72962 ELASTIC STOP NUT A DIV OF HARTFORD INDUSTRIES INC
2330 VAUXHALL ROAD
UNION, NEW JERSEY 07083-5038

73134 HEIM DIV INCOM INTERNATIONAL INC
60 ROUND HILL ROAD PO BOX 430
FAIRFIELD, CONNECTICUT 06430-5114

73197 HI-SHEAR TECHNOLOGY CORP
2600 SKYPARK DRIVE
TORRANCE, CALIFORNIA 90509

77896 REXNORD INC BEARING OPERATION
2400 CURTIS STREET
DOWNERS GROVE, ILLINOIS 60515-4005

25-28-09

ILLUSTRATED PARTS LIST
01.1 Page 1005
Apr 01/91

VENDORS

80477 ADAMS RITE PRODUCTS INC DIV OF MZZM INC
540 WEST CHEVY CHASE
GLENDALE, CALIFORNIA 91209

80539 SPS TECHNOLOGIES INC AEROSPACE PRODUCTS DIV
2701 SOUTH HARBOR BOULEVARD PO BOX 1259
SANTA ANA, CALIFORNIA 92702-1259

81376 SOUTHWEST PRODUCTS COMPANY
2240 BUENA VISTA STREET
IRVINDALE, CALIFORNIA 91706

85495 BRILES MFG CO SEE OMARK INDUSTRIES
PRECISION FASTENING SUB OF OMARK IND INC SEE DEUTSCH
FASTENER CORP V08524
OMARK INDUSTRIES SEE PRECISION FASTENING

92215 VOI-SHAN DIV OF VSI CORP SUB OF FAIRCHILD INDUSTRIAL INC
8463 HIGUERA STREET
CULVER CITY, CALIFORNIA 90230

94892 MASTER MACHINE PRODUCTS CORPORATION
1551 SOUTH PRIMROSE AVE
MONROVIA, CALIFORNIA 91016-4542

97393 SHUR-LOK CORPORATION
2541 WHITE ROAD PO BOX 19584
IRVINE, CALIFORNIA 92713

97613 SARGENT INDUSTRIES KAHR BEARING DIVISION
3010 NORTH SAN FERNANDO ROAD
BURBANK, CALIFORNIA 91504-2524

97928 DEUTSCH FASTENER CORP
3969 PARAMONT BOULEVARD
LAKEWOOD, CALIFORNIA 90712-4193

25-28-09

ILLUSTRATED PARTS LIST
01.1 Page 1006
Apr 01/91

VENDORS

98996 OLYMPIC FASTENING SYSTEMS INC SUB OF ARMCO INC
11445 SOUTH DOLAN STREET
DOWNEY, CALIFORNIA 90241-4986

25-28-09

ILLUSTRATED PARTS LIST
01.1 Page 1007
Apr 01/91

PART NUMBER	AIRLINE PART NO.	FIG.	ITEM	TTL REQ
ABW4V5		1	526	1
		1A	688	1
		1B	610	1
		1C	804	1
		1D	717	1
AB4VCRG		1	526	1
		1A	688	1
		1B	610	1
		1C	804	1
		1D	717	1
AF5171-3-2		1	385	52
		1A	507	52
		1B	440A	52
		1C	609A	48
		1D	519	52
		1E	456	24
		1A	703	1
		1B	621	1
		1C	819	1
		1D	732	1
		1D	378	4
AN960C10L		1E	275	2
		1	478	1
AN960C516		1A	646	1
		1B	573	1
		1C	776	1
AN960C516L		1D	687	1
		1E	603	1
		1	156	2
AN960C8		1B	128	2
		1C	165	2
		1D	186	2
		1E	158	1
		1	438C	8
AN960D10L		1A	595	8
		1B	520	8
		1C	714	4
		1D	625	6
		1D	633	2
		1E	561	8
AN960JD10L		1C	75A	12
AN960JD10L		1C	249A	8
		1C	582A	20
		1E	14	6
		1E	660	3

25-28-09

 ILLUSTRATED PARTS LIST
 01.1 Page 1008
 Apr 01/91

PART NUMBER	AIRLINE PART NO.	FIG.	ITEM	TTL REQ	
AN960JD10LL		1B	18A	12	
		1B	62A	12	
		1B	408A	22	
		1B	410A	2	
		1C	21A	12	
		1D	24A	12	
		1D	78A	12	
		1D	450A	8	
		1D	495A	22	
		1E	11	6	
	AN960KD10L		1	204	8
			1	372	26
			1	590	8
		1	593	8	
		1	596	12	
		1	602	4	
		1	608	4	
		1	614	4	
		1A	484	22	
		1A	664	9	
		1A	763	12	
		1A	775	4	
		1E	98	2	
AN960PD10		1	219D	1	
		1	404	2	
		1	422	12	
		1A	535	2	
		1A	562	12	
		1B	470	2	
		1B	490	12	
		1C	645	2	
		1C	675	12	
		1C	825	1	
		1D	552	2	
		1D	585	12	
		1D	586	2	
		1E	492	2	
		1E	525	8	
		1E	618	1	

25-28-09

PART NUMBER	AIRLINE PART NO.	FIG.	ITEM	TTL REQ
AN960PD10L		1	56	12
		1	96	12
AN960PD10L		1	115	4
		1	195	8
		1	219G	1
		1	498A	9
		1A	15	12
		1A	63	12
		1A	93	4
		1A	216M	4
		1A	217M	4
		1A	225	8
		1A	726H	4
		1B	84	4
		1B	187	8
		1B	585	9
		1C	105A	4
		1C	828	3
		1D	117	4
		1D	663	1
		1D	740	8
		1E	17	12
		1E	386	5
		1E	431	8
		1E	615	3
AN960PD8L		1	407	2
		1A	541	2
		1B	472	2
		1C	648	2
		1D	558	2
		1E	498	2
ART4E125		1D	698N	1
AR11		1	138	1
		1A	131	1
AR15T2		1	137	1
		1A	130	1

25-28-09

 ILLUSTRATED PARTS LIST
 01.1 Page 1010
 Apr 01/91

PART NUMBER	AIRLINE PART NO.	FIG.	ITEM	TTL REQ
AR292		1	139	1
		1A	131G	1
A11330-8-3		1	212	7
		1	212A	1
		1	224	4
		1A	243	8
		1A	726P	4
		1B	225	8
		1C	288	8
		1E	404	5
		1A	130A	2
		1A	131R	2
BACB10AB4		1	526	1
		1A	688	1
		1B	610	1
		1C	804	1
		1D	717	1
BACB28AR06A024A		1	450	1
		1A	613	1
		1B	542	1
		1C	738	1
		1D	797	1
		1E	588	1
BACB28X4C005		1	466	1
		1A	631	1
		1B	542A	1
		1C	762	1
		1D	776	1
		1D	797A	1
		1E	665	1
BACB28X4C009		1	104	1
		1A	75	1
		1B	24	1
		1B	70	1
		1C	84	1
		1D	30A	1
		1D	90	1
		1E	62	1

25-28-09

ILLUSTRATED PARTS LIST
01.1 Page 1011
Apr 01/91

PART NUMBER	AIRLINE PART NO.	FIG.	ITEM	TTL REQ
BACB28X4C024		1	106	1
		1A	78	1
		1B	26	1
		1B	72	1
		1C	87	1
		1D	33A	1
BACB28X4C024		1D	93	1
		1E	65	1
BACB28X4M050		1	362D	1
		1A	472B	1
		1B	393B	2
		1C	570B	2
		1D	480B	2
		1E	419B	2
BACB28X6M024		1	62A	2
		1A	24A	2
		1B	22A	2
		1C	30A	2
		1D	30B	1
		1D	33B	1
BACB28Z5-025		1E	41A	1
		1	474	1
		1A	640	1
		1B	569	1
		1C	773	2
		1D	696	1
BACB30FN10-24		1E	609	2
		1	472A	1
		1A	637	1
		1B	567	1
		1C	770	1
		1D	684	1
		1E	600	1

25-28-09

 ILLUSTRATED PARTS LIST
 01.1 Page 1012
 Apr 01/91

PART NUMBER	AIRLINE PART NO.	FIG.	ITEM	TTL REQ
BACB30GW6-16		1	522	2
		1A	682	2
		1B	606	2
		1C	798	2
		1D	711	2
BACB30LH3PU22		1	241	8
		1A	286	8
		1B	256	8
		1C	345	8
BACB30LH3PU22		1C	366	8
		1D	273	8
		1E	209	4
		1	240	4
BACB30LH3PU28		1A	283	4
		1B	254	4
		1C	342	4
		1C	363	4
		1D	267	4
		1E	206	2
BACB30LH3PU28 BACB30LU3-10		1	76	2
		1A	39	2
		1C	822	4
		1D	54	2
		1E	612	4
BACB30LU3-8		1	220	4
		1	221	4
BACB30LU3-9		1	484	8
		1	486A	1
		1A	655	8
		1B	577	8
		1D	738	8
		1E	657	3
BACC30K6		1	524	2
		1A	685	2
		1B	608	2
		1C	801	2
		1D	714	2

25-28-09

PART NUMBER	AIRLINE PART NO.	FIG.	ITEM	TTL REQ	
BACN10FX21		1	212	7	
		1	212A	1	
		1	224	4	
		1A	243	8	
		1A	726P	4	
		1B	225	8	
		1C	288	8	
		1E	404	5	
	BACN10GH3A8		1	436	6
	BACN10GH3A8		1A	588	6
		1B	514	6	
BACN10JC08		1C	702	6	
		1D	615	5	
		1D	619	1	
		1E	552	4	
		1	154	2	
		1	407G	2	
		1A	153	2	
	1A	544	2		
	1B	130	2		
	1B	474	2		
	1C	162	2		
	1C	651	2		
	1D	189	2		
	1D	561	2		
	1E	155	1		
	1E	501	2		

25-28-09

 ILLUSTRATED PARTS LIST
 01.1 Page 1014
 Apr 01/91

PART NUMBER	AIRLINE PART NO.	FIG.	ITEM	TTL REQ
BACN10JC3		1	58	6
		1	82	2
		1	98	6
		1	196	8
		1	219P	1
		1	502	9
		1	508A	1
		1A	18	6
		1A	48	2
		1A	66	6
		1A	216R	4
		1A	217R	4
		1A	667	9
		1B	47	2
		1B	587	9
		1B	662	4
		1B	689	4
		1C	831	4
		1D	60	2
		1D	666	1
		1D	743	8
		1E	23	6
		1E	621	4
	1E	663	3	
BACN10JC5CM		1	480	1
		1A	649	1
		1B	575	1
BACN10JC5CM		1C	779	1
		1D	693	1
		1E	606	1
BACN10JP3B		1	408	2
		1A	550	2
		1B	478	2
		1C	657	2
		1D	567	2
	1E	507	2	

25-28-09

ILLUSTRATED PARTS LIST
01.1 Page 1015
Apr 01/91

PART NUMBER	AIRLINE PART NO.	FIG.	ITEM	TTL REQ
BACN10JP3C		1	424	12
		1A	568	12
		1B	494	12
		1C	681	2
		1D	591	12
		1D	592	2
		1E	531	8
	BACN10JR3F		1	388
		1A	511	22
		1B	444	22
		1C	615	20
		1D	525	22
		1E	465	8
BACN10KB3F		1	386	4
		1A	508	4
		1B	442	4
		1C	612	4
		1D	522	4
		1E	462	2
BACN10KH3 BACR15BA3AD		1E	459	2
		1	410	4
		1	426	48
		1A	547	4
		1A	565	24
		1B	476	4
		1B	492	48
		1C	654	4
		1C	678	4
		1D	564	4
		1D	588	24
		1D	589	4
		1E	504	4
		1E	528	16

25-28-09

 ILLUSTRATED PARTS LIST
 01.1 Page 1016
 Apr 01/91

PART NUMBER	AIRLINE PART NO.	FIG.	ITEM	TTL REQ
BACR15BA5KE		1B	418	2
BACR15BB4AD		1	438	12
		1A	586	12
		1B	508	12
BACR15BB4AD		1C	699	12
		1D	612	10
		1D	617	2
		1E	549	8
BACR15DR3-2		1	385	52
		1A	507	52
		1B	440A	52
		1C	609A	48
		1D	519	52
		1E	456	24
BACS12FA3C5		1	216Q	5
		1	234A	24
		1A	265A	24
		1B	236A	24
		1C	306A	24
BACS18K10-15		1	548A	1
		1A	721B	1
		1B	633A	1
		1C	885	1
		1D	669	1
BACS18K10-15W		1	548	1
		1A	721A	1
		1B	633	1
		1C	882	1
BACS18K10-18		1	544A	1
		1A	715A	1
		1B	629A	1
		1D	672	1
BACS18K10-18W		1	544	1
		1A	715	1
		1B	629	1
BACS18K10-23		1	546A	1
		1A	718A	1
		1B	631A	1
		1C	879	2
		1D	675	1

25-28-09

ILLUSTRATED PARTS LIST
01.1 Page 1017
Apr 01/91

PART NUMBER	AIRLINE PART NO.	FIG.	ITEM	TTL REQ
BACS18K10-23W		1	546	1
BACS18K10-23W		1A	718	1
		1B	631	1
		1C	876	2
BACW10P183AL		1	211	7
		1	211A	1
		1	236A	16
		1A	240	8
		1A	271A	16
		1B	223	8
		1B	240	16
		1C	294	8
		1C	315	16
		1D	108	16
		1D	456	8
		1E	89	8
		1E	401	5
BACW10P67S		1B	659	4
		1B	686	4
BACW10UB10		1	222	4
		1	223	4
BAC27PPS0247		1C	959	2
BAC27TPPS0118		1	670	2
		1A	814	2
BAC27TPPS0246		1	662	1
		1	665	2
BAC27TPPS0246		1A	811	2
		1B	830	2
BAC29PPS2172		1D	884	2
		1E	737	1
BAC29PPS2174		1D	887	2
		1E	740	1
BMS8-133		1	130	2
		1A	120	2
		1B	95	2
		1E	128	1
BRC500-8-3		1	212	7
		1	212A	1
		1	224	4
		1A	243	8
		1A	726P	4
		1B	225	8
		1C	288	8
		1E	404	5

25-28-09

 ILLUSTRATED PARTS LIST
 01.1 Page 1018
 Apr 01/91

PART NUMBER	AIRLINE PART NO.	FIG.	ITEM	TTL REQ
BRF100A3		1	386	4
		1A	508	4
		1B	442	4
		1C	612	4
		1D	522	4
		1E	462	2
BRF200A3		1	388	22
		1A	511	22
		1B	444	22
		1C	615	20
		1D	525	22
		1E	465	8
BRH10A08		1	154	2
		1	407G	2
		1A	153	2
		1A	544	2
		1B	130	2
		1B	474	2
		1C	162	2
		1C	651	2
		1D	189	2
		1D	561	2
		1E	155	1
		1E	501	2

25-28-09

PART NUMBER	AIRLINE PART NO.	FIG.	ITEM	TTL REQ
BRH10A3		1	58	6
		1	82	2
BRH10A3		1	98	6
		1	196	8
		1	219P	1
		1	502	9
		1	508A	1
		1A	18	6
		1A	48	2
		1A	66	6
		1A	216R	4
		1A	217R	4
		1A	667	9
		1B	47	2
		1B	587	9
		1B	662	4
		1B	689	4
		1C	831	4
		1D	60	2
		1D	666	1
		1D	743	8
		1E	23	6
1E	621	4		
1E	663	3		
BRM100A3		1	408	2
		1A	550	2
		1B	478	2
		1C	657	2
		1D	567	2
		1E	507	2
BRM300A3		1	424	12
		1A	568	12
		1B	494	12
		1C	681	2
		1D	591	12
		1D	592	2
1E	531	8		

25-28-09

 ILLUSTRATED PARTS LIST
 01.1 Page 1020
 Apr 01/91

PART NUMBER	AIRLINE PART NO.	FIG.	ITEM	TTL REQ
BSSR4804		1	526	1
		1A	688	1
		1B	610	1
		1C	804	1
		1D	717	1
CCR264SS3-2		1	385	52
		1A	507	52
		1B	440A	52
		1C	609A	48
		1D	519	52
CCR264SS3-2 F1313		1E	456	24
		1	355A	4
		1A	460	4
		1B	382	4
		1C	558	4
		1D	438	4
		1E	377	2
		1	386	4
		1A	508	4
		1B	442	4
		1C	612	4
		1D	522	4
		1E	462	2
		1E	459	2
	F29779-3 F49322-3-21		1	212
		1	212A	1
		1	224	4
		1A	243	8
		1A	726P	4
		1B	225	8
		1C	288	8
		1E	404	5
		1A	511	22
		1B	444	22
		1C	615	20
		1D	525	22
		1E	465	8

25-28-09

PART NUMBER	AIRLINE PART NO.	FIG.	ITEM	TTL REQ
HL19PB10-24		1	472A	1
		1A	637	1
		1B	567	1
		1C	770	1
		1D	684	1
		1E	600	1
HU4-134		1	526	1
		1A	688	1
		1B	610	1
		1C	804	1
		1D	717	1
H01-5BAC		1	480	1
		1A	649	1
		1B	575	1
		1C	779	1
		1D	693	1
		1E	606	1
H10-08BAC		1	154	2
H10-08BAC		1	407G	2
		1A	153	2
		1A	544	2
		1B	130	2
		1B	474	2
		1C	162	2
		1C	651	2
		1D	189	2
		1D	561	2
		1E	155	1
		1E	501	2

25-28-09

 ILLUSTRATED PARTS LIST
 01.1 Page 1022
 Apr 01/91

PART NUMBER	AIRLINE PART NO.	FIG.	ITEM	TTL REQ
H10-3BAC		1	58	6
		1	82	2
		1	98	6
		1	196	8
		1	219P	1
		1	502	9
		1	508A	1
		1A	18	6
		1A	48	2
		1A	66	6
		1A	216R	4
		1A	217R	4
		1A	667	9
		1B	47	2
		1B	587	9
		1B	662	4
		1B	689	4
		1C	831	4
		1D	60	2
		1D	666	1
		1D	743	8
		1E	23	6
		1E	621	4
		1E	663	3
KWB4-20CRG		1	526	1
		1A	688	1
		1B	610	1
		1C	804	1
		1D	717	1
MK2000-3BAC		1	408	2
		1A	550	2
		1B	478	2
		1C	657	2
MK2000-3BAC		1D	567	2
		1E	507	2
MK3000-3BAC		1	424	12
		1A	568	12
		1B	494	12
		1C	681	2
		1D	591	12
		1D	592	2
		1E	531	8

25-28-09

PART NUMBER	AIRLINE PART NO.	FIG.	ITEM	TTL REQ
MSSR45-14BAC MS16624-5012		1D	698N	1
		1	144	8
		1A	138A	8
		1B	116	8
		1C	147	8
		1D	168	8
		1E	140	4
MS20253-2-083		1	122A	2
		1A	102	2
		1B	90	2
		1C	114	2
		1D	120	2
		1E	101	1
	MS21042L3		1B	20A
		1B	66A	6
		1C	24A	6
		1C	81A	6
		1D	27A	6
		1D	81A	6
		1E	20	6
MS21209C0610		1	276	4
		1A	358	4
		1B	304	4
		1C	438	8
		1D	387	8
		1E	326	4
	MS21209C0615		1	298
		1B	329	4
		1C	474	4
		1D	363	4
		1E	263	2

25-28-09

 ILLUSTRATED PARTS LIST
 01.1 Page 1024
 Jan 01/93

PART NUMBER	AIRLINE PART NO.	FIG.	ITEM	TTL REQ
MS21209F4-10		1	264	4
		1A	331	4
		1B	284	4
		1C	408	4
		1D	423	4
MS21209F4-10		1E	302	2
	MS24585C93	1	158	2
1A		159	2	
1B		132	2	
1C		168	2	
1E		161	1	
MS35338-136	1	284	8	
	1A	373	8	
	1B	316	8	
	1C	456	8	
	1D	336	8	
MS35338-43	1E	233	4	
	1	438B	4	
	1A	592	4	
	1B	518	4	
	1C	711	4	
MS35649-282	1D	623	3	
	1D	631	1	
	1E	558	4	
	1	551	1	
	MS35650-305S	1	438D	4
1A		598	4	
1B		522	4	
1C		717	4	
1D		627	3	
	1D	634	1	
	1E	564	4	

25-28-09

PART NUMBER	AIRLINE PART NO.	FIG.	ITEM	TTL REQ	
MS51859-1		1	120	4	
		1A	97	4	
		1B	89	4	
		1C	112	4	
		1D	124	4	
		1E	105	2	
NAS1056C3-056		1	119A	2	
		1A	96A	2	
		1B	88A	2	
		1C	111A	2	
		1D	123A	2	
		1E	104A	1	
NAS1352C04LB4		1	352	8	
		1A	454	8	
		1B	378	8	
		1C	552	8	
		1D	294	8	
		1E	371	4	
NAS1454-08-0011 NAS1515M3L		1	550	1	
		1	253	8	
		1	303	8	
		1A	316	8	
		1A	397	8	
		1B	340	8	
		1C	399	8	
		1C	489	8	
		1D	357	8	
		1D	375	4	
		1E	248	4	
		1E	272	2	
	NAS1801-3-12		1	438A	4
			1A	589	4
		1A	726B	4	
		1B	516	4	
		1C	708	4	
		1D	621	3	
		1D	629	1	
		1E	555	4	

25-28-09

 ILLUSTRATED PARTS LIST
 01.1 Page 1026
 Apr 01/91

PART NUMBER	AIRLINE PART NO.	FIG.	ITEM	TTL REQ	
NAS1801-3-5		1	210	7	
		1	210A	1	
		1	396A	12	
		1A	237	8	
		1A	523	12	
		1B	221	8	
		1B	458	12	
		1C	291	8	
		1C	621	12	
		1D	453	8	
		1D	537	12	
		1E	398	5	
		1E	477	8	
	NAS1801-3-6		1	235	16
			1A	268	16
			1B	238	16
		1C	312	16	
		1D	105	16	
		1E	86	8	
NAS1833-3-400		1	634	1	
		1	656	1	
		1A	796	1	
		1B	757	1	
		1C	947	2	
		1D	866	1	
NAS1833-3-400		1E	704	2	
NAS1834-3-400		1	578	3	
		1	586	3	
		1	624	25	
		1	654	25	
		1A	742	3	
		1A	751	3	
		1A	790	25	
		1B	760	17	
		1B	763	25	
		1B	805	3	
		1B	808	5	
		1C	912	3	
		1C	923	6	
		1C	944	10	
		1D	830A	3	
		1D	833B	4	
		1D	848A	3	
		1D	875A	23	
		1E	695A	6	
		1E	707A	10	
	1E	731A	3		

25-28-09

ILLUSTRATED PARTS LIST
01.1 Page 1027
Apr 01/91

PART NUMBER	AIRLINE PART NO.	FIG.	ITEM	TTL REQ
NAS1834-3K400		1	227A	4
		1	229B	4
NAS1834-4-400		1	626	8
		1A	793	8
		1B	766	8
		1C	953	8
		1D	872A	9
		1E	710A	5
NAS1834-5-400		1C	953A	8
NAS1834A3-390		1A	726X	4
NAS1834A3-400		1	578A	3
		1	586A	3
		1	654A	25
		1A	726V	4
		1A	742A	3
		1A	751A	3
		1A	790A	25
		1B	745A	3
		1B	760A	17
		1B	763A	25
		1B	766A	8
		1B	805A	3
		1B	808A	5
NAS1834A3-400		1C	912A	3
		1C	923A	6
		1C	944A	10
		1D	830	3
		1D	833A	4
		1D	848	3
		1D	875	23
		1E	695	6
		1E	707	10
		1E	731	3
NAS1834A4-400		1	626A	8
		1A	793A	8
		1D	872	9
		1E	710	5
NAS1834C4-400		1	628	1
		1	657	1
		1A	799	1
		1B	790	1
		1D	860	1

25-28-09

 ILLUSTRATED PARTS LIST
 01.1 Page 1028
 Apr 01/91

PART NUMBER	AIRLINE PART NO.	FIG.	ITEM	TTL REQ
NAS1834C5-400		1	630	1
		1	658	1
		1A	802	1
		1B	793	1
		1C	950	1
		1D	863	1
		1E	713	1
NAS1836-08-11		1	229A	1
		1	622	6
		1	652	6
		1A	787	6
		1B	769	6
		1C	941	4
		1D	147	12
		1D	869	6
		1D	870	6
		1D	871	6
		1E	716	2
NAS1836-3-07		1	570	10
		1A	736	10
		1C	903	10
		1D	821	10
		1E	684	10
NAS1836-3-09		1	213G	4
		1	213Z	3
NAS1836-3-09		1	214P	20
		1	214Q	4
		1A	252A	4
		1A	253	20
		1A	254	3
		1B	209	20
		1B	211	4
		1B	213	3
		1C	279	20
		1D	462	24
		1E	392	17

25-28-09

ILLUSTRATED PARTS LIST
01.1 Page 1029
Apr 01/91

PART NUMBER	AIRLINE PART NO.	FIG.	ITEM	TTL REQ
NAS1836-3-11		1	135A	20
		1	213F	4
		1	214B	3
		1	214J	4
		1	214S	20
		1	227	3
		1	227G	1
		1	229	4
		1	580	24
		1	587	24
		1	587A	6
		1	587B	4
		1	620	120
		1	620A	8
		1	620B	2
		1	650	108
		1	651	4
		1A	129	20
		1A	252	4
		1A	256	20
		1A	726T	3
		1A	745	24
		1A	754	30
		1A	784	108
		1A	785	127
		1B	108	20
		1B	203	24
		1B	205	4
		1B	207	3
		1B	708	7
	1B	748	28	
	1B	772	98	
	1B	775	99	
	1B	778	103	

25-28-09

 ILLUSTRATED PARTS LIST
 01.1 Page 1030
 Apr 01/91

PART NUMBER	AIRLINE PART NO.	FIG.	ITEM	TTL REQ
NAS1836-3-11		1B	784	4
		1B	787	6
		1B	811	22
		1B	814	22
		1C	138	20
		1C	273	4
		1C	276	20
		1C	915	22
		1C	926	25
		1C	938	107
		1D	144	20
		1D	833	4
		1D	839	18
		1D	851	30
		1D	852	2
		1D	880	118
		1D	880J	6
		1D	880S	9
		1E	125	10
		1E	692	25
		1E	722	56
		1E	734	22
	NAS1836-3-400		1B	745
NAS1836A3-400		1	624A	25
NAS42DD6-6		1A	196	2
		1B	159	2
		1C	195	2
		1D	240	2
NAS43DD3-30		1	244	4
		1A	292	4
		1B	262	4
		1C	369	4
		1D	270	4
		1E	224	2
NAS514P1032-18		1	486B	1
		1A	658	1
		1B	579	1
		1D	660	1
NAS514P1032-4		1	84	2
		1A	51	2
		1B	41	2
		1C	834	3
		1D	48	2
		1E	624	3

25-28-09

ILLUSTRATED PARTS LIST
01.1 Page 1031
Apr 01/91

PART NUMBER	AIRLINE PART NO.	FIG.	ITEM	TTL REQ
NAS514P1032-5		1	74	1
		1	142	4
NAS514P1032-5		1	174	3
		1	178	1
		1A	36	1
		1A	135	4
		1A	177	3
		1A	192	1
		1B	37	1
		1B	114	4
		1B	144	3
		1B	155	1
		1C	42	2
		1C	144	4
		1C	192	1
		1C	210	6
		1C	837	1
		1C	861	2
		1D	45	1
		1D	165	4
		1D	216	3
		1D	237	1
		1E	137	2
		1E	627	1
NAS514P1032-6		1	123	4
		1A	108	4
		1B	94	4
		1C	120	4
		1D	129	4
		1E	110	2
NAS514P1032-9		1	540A	1
		1A	709	1
		1B	625	1
		1C	870	2
		1D	657	2
		1	282	8
NAS601-3		1A	370	8
		1B	314	8
		1C	453	8
		1D	333	8
		1E	230	4
		1D	135	12
NAS602-5		1	190	4
NAS603-4P		1	589	8
		1	592	8
		1	595	12

25-28-09

 ILLUSTRATED PARTS LIST
 01.1 Page 1032
 Apr 01/91

PART NUMBER	AIRLINE PART NO.	FIG.	ITEM	TTL REQ	
NAS603-4P		1	600	4	
		1	606	4	
		1	612	4	
		1A	210	4	
		1A	760	12	
		1A	772	4	
		1B	171	8	
		1C	231	8	
		1D	207	8	
		1E	185	8	
	NAS620A10L		1	52	6
			1	72	2
			1	78	2
			1	102A	4
		1	168	8	
		1	175C	1	
		1	188	8	
		1	191	4	
		1	218	9	
		1	218G	1	
		1	219	9	
		1	360	4	
		1	384	40	
		1	397	12	
		1	448	11	
		1	464	9	
		1A	9	6	
		1A	33	2	
		1A	42	2	
		1A	53	1	
		1A	72	4	
		1A	171	8	
		1A	204	8	
		1A	213	4	
		1A	469	4	
		1A	505	40	
		1A	526	12	
		1A	610	14	
		1A	628	12	
		1A	724L	7	
		1A	726L	3	
		1B	16	4	
		1B	45	4	
		1B	53	12	
	1B	64	4		

25-28-09

ILLUSTRATED PARTS LIST
01.1 Page 1033
Apr 01/91

PART NUMBER	AIRLINE PART NO.	FIG.	ITEM	TTL REQ
NAS620A10L		1B	140	8
		1B	148	1
		1B	167	8
		1B	173	8
		1B	391	4
		1B	438	40
		1B	460	12
		1B	538	11
		1B	540	2
		1B	556	11
		1B	656	8
		1B	683	8
		1B	704	3
		1B	714	3
		1C	18	4
		1C	45	4
		1C	57	12
		1C	78	4
		1C	180	8
		1C	213	1
		1C	225	8
		1C	234	8
		1C	567	4
		1C	600	32
		1C	606	2
		1C	624	12
		1C	735	9
		1C	759	8
		1C	855	4
		1D	18	4
		1D	57	4
		1D	87	4
		1D	198	16
		1D	210	8
		1D	222	1
		1D	477	4
		1D	516	38
		1D	540	12
		1D	758	12
		1D	773	11
		1D	794	11
		1E	35	4
		1E	59	4
1E	77	12		
1E	173	16		

25-28-09

ILLUSTRATED PARTS LIST
 01.1 Page 1034
 Apr 01/91

PART NUMBER	AIRLINE PART NO.	FIG.	ITEM	TTL REQ
NAS620A10L		1E	188	8
		1E	416	4
		1E	453	20
		1E	480	8
		1E	585	11
		1E	654	5
NAS620A8L		1D	138	12
	NAS623-2-2	1	406A	2
		1A	538	2
		1B	468	2
		1C	642	2
		1D	555	2
1E		495	2	
NAS623-3-1	1	50	6	
	1	100	4	
	1	166	8	
	1	175	1	
	1	186	8	
	1	216	9	
	1	216G	1	
	1	217	9	
	1	382	38	
	1	446	11	
	1	462	9	
	1A	6	6	
	1A	52	1	
	1A	69	4	
	1A	168	8	
	1A	201	8	
	1A	499	38	
	1A	607	7	
	1A	625	6	
	1A	726E	3	
	1B	12	2	
	1B	51	12	
	1B	60	4	
	1B	138	8	
	1B	146	1	
	1B	165	8	
	1B	434	38	
1B	536	2		
1B	554	11		
1B	653	4		
1B	677	4		
1B	701	3		

25-28-09

ILLUSTRATED PARTS LIST
01.1 Page 1035
Apr 01/91

PART NUMBER	AIRLINE PART NO.	FIG.	ITEM	TTL REQ	
NAS623-3-1		1B	711	3	
		1C	12	4	
		1C	54	12	
		1C	72	4	
		1C	177	8	
		1C	207	1	
		1C	222	8	
		1C	597	32	
		1C	732	9	
		1C	756	8	
		1D	12	2	
		1D	84	4	
		1D	195	16	
		1D	219	1	
		1D	510	36	
		1D	755	12	
		1D	770	11	
		1D	791	11	
		1E	32	4	
		1E	56	4	
		1E	74	12	
		1E	170	16	
		1E	447	18	
		1E	582	11	
		1E	651	5	
	NAS623-3-1W		1	114	4
			1A	90	4
			1B	82	4
			1C	102	4
			1D	114	4
			1E	95	2
	NAS623-3-2		1	70	2
		1	358	4	
		1A	30	2	
		1A	466	4	
		1B	35	2	
		1B	389	4	
		1C	39	4	
		1C	564	4	
		1C	852	4	
		1D	51	2	
		1D	474	4	
		1E	413	4	

25-28-09

 ILLUSTRATED PARTS LIST
 01.1 Page 1036
 Apr 01/91

PART NUMBER	AIRLINE PART NO.	FIG.	ITEM	TTL REQ
NAS623-3-3		1	383	2
		1A	502	2
NAS623-3-3		1A	608	7
		1A	626	6
		1B	10	2
		1B	436	2
		1C	603	2
		1D	15	2
		1D	513	2
		1E	450	2
NAS623-3-7		1	194	8
		1	202	8
		1A	216G	4
		1A	217G	4
		1A	222	8
		1B	185	8
		1C	246	8
		1D	447	8
		1E	383	5
NAS623-3-8		1B	650	4
		1B	680	4
NAS6603-2		1	370	26
		1A	481	22
		1B	404	22
		1B	406	2
		1C	579	20
		1D	492	22
		1E	428	8
NAS6603-3		1	402	2
		1	420	12
		1A	532	2
		1A	559	12
		1B	466	2
		1B	488	12
		1C	639	2
		1C	672	12
		1D	549	2
		1D	582	12
		1D	583	2
		1E	489	2
		1E	522	8
NAS6603-9		1	54	6
		1	94	6
		1A	12	6
		1A	60	6
		1B	14	6
		1B	58	6

25-28-09

ILLUSTRATED PARTS LIST
01.1 Page 1037
Apr 01/91

PART NUMBER	AIRLINE PART NO.	FIG.	ITEM	TTL REQ
NAS6603-9		1C	15	6
		1C	69	6
		1D	21	6
		1D	75	6
		1E	8	12
NAS76A3-007N		1	310	4
		1A	409A	4
		1B	348	4
		1C	501	4
		1D	411	4
		1E	287	2
NAS76A3-009N		1	274	4
		1A	355	4
		1B	302	4
		1C	435	4
		1D	390	4
		1E	323	2
NAS76A3-077		1A	409	16
		1	296	8
NAS77A3-15N		1	308	16
		1A	385	8
		1A	406	16
		1B	346	16
		1C	471	8
		1C	498	16
		1D	366	8
		1D	408	16
		1E	260	4
		1E	284	8
		1	266	4
		1A	334	4
		1B	286	4
NAS77A3-24N		1C	411	4
		1D	426	4
		1E	305	2
		1	268	4
		1A	337	4
		1B	288	4
NAS77A3-68N		1C	414	4
		1D	429	4
		1E	308	2

25-28-09

 ILLUSTRATED PARTS LIST
 01.1 Page 1038
 Apr 01/91

PART NUMBER	AIRLINE PART NO.	FIG.	ITEM	TTL REQ
NAS773A3-15N		1B	327	8
NS103198-02		1	408	2
NS103198-02		1A	550	2
		1B	478	2
		1C	657	2
		1D	567	2
		1E	507	2
NS103199-02		1	424	12
		1A	568	12
		1B	494	12
		1C	681	2
		1D	591	12
		1D	592	2
		1E	531	8
		1	388	22
NS103203-02		1A	511	22
		1B	444	22
		1C	615	20
		1D	525	22
		1E	465	8
		1E	459	2
		1	58	6
NS103225-02 NS202101-02		1	82	2
		1	98	6
		1	196	8
		1	219P	1
		1	502	9
		1	508A	1
		1A	18	6
		1A	48	2
		1A	66	6
		1A	216R	4
		1A	217R	4
		1A	667	9
		1B	47	2
		1B	587	9
		1B	662	4
		1B	689	4
		1C	831	4
		1D	60	2
		1D	666	1
		1D	743	8
1E	23	6		
1E	621	4		
1E	663	3		

25-28-09

PART NUMBER	AIRLINE PART NO.	FIG.	ITEM	TTL REQ
NS202101-82		1	154	2
		1	407G	2
NS202101-82		1A	153	2
		1A	544	2
		1B	130	2
		1B	474	2
		1C	162	2
		1C	651	2
		1D	189	2
		1D	561	2
		1E	155	1
		1E	501	2
PSFW10F6DS05WH		1	216P	5
		1	234	24
		1A	265	24
		1B	236	24
		1C	306	24
		1D	258	24
		1E	197	12
REM8ATC10 RMA9205M3		1D	698N	1
		1	424	12
		1A	568	12
		1B	494	12
		1C	681	2
		1D	591	12
RMA9207-3		1D	592	2
		1E	531	8
		1	408	2
		1A	550	2
		1B	478	2
		1C	657	2
		1D	567	2
		1E	507	2

25-28-09

 ILLUSTRATED PARTS LIST
 01.1 Page 1040
 Apr 01/91

PART NUMBER	AIRLINE PART NO.	FIG.	ITEM	TTL REQ
RMF9201-3		1	388	22
		1A	511	22
		1B	444	22
		1C	615	20
		1D	525	22
		1E	465	8
RMF9207-3		1	386	4
		1A	508	4
		1B	442	4
		1C	612	4
		1D	522	4
		1E	462	2
RMF9209M3		1E	459	2
RMLH9075-3W		1	58	6
		1	82	2
RMLH9075-3W		1	98	6
		1	196	8
		1	219P	1
		1	502	9
		1	508A	1
		1A	18	6
		1A	48	2
		1A	66	6
		1A	216R	4
		1A	217R	4
		1A	667	9
		1B	47	2
		1B	587	9
		1B	662	4
		1B	689	4
		1C	831	4
	1D	60	2	
	1D	666	1	
	1D	743	8	
	1E	23	6	
	1E	621	4	
	1E	663	3	

25-28-09

ILLUSTRATED PARTS LIST
01.1 Page 1041
Apr 01/91

PART NUMBER	AIRLINE PART NO.	FIG.	ITEM	TTL REQ	
RMLH9075-82W		1	154	2	
		1	407G	2	
		1A	153	2	
		1A	544	2	
		1B	130	2	
		1B	474	2	
		1C	162	2	
		1C	651	2	
		1D	189	2	
		1D	561	2	
		1E	155	1	
		1E	501	2	
	RV571A3-2		1	385	52
			1A	507	52
			1B	440A	52
		1C	609A	48	
		1D	519	52	
		1E	456	24	
SALPYT6-16		1	522	2	
		1A	682	2	
		1B	606	2	
		1C	798	2	
		1D	711	2	
		1	212A	1	
		1	224	4	
		1A	243	8	
		1A	726P	4	
		1B	225	8	
		1C	288	8	
	1E	404	5		

25-28-09

 ILLUSTRATED PARTS LIST
 01.1 Page 1042
 Apr 01/91

PART NUMBER	AIRLINE PART NO.	FIG.	ITEM	TTL REQ	
SL6161-08-4		1	180	2	
		1A	195	2	
		1B	157	2	
		1C	198	2	
		1D	243	2	
		1	214C	24	
		1	632	15	
		1	659	15	
		1	659A	4	
		1A	126	4	
		1A	249	24	
		1A	805	19	
		1A	806	15	
		1B	106	4	
		1B	215	24	
		1B	217	24	
		1B	781	15	
		1B	817	5	
		1C	135	4	
		1C	282	24	
		1C	956	15	
		1D	150	4	
		1D	465	24	
		1D	878	25	
		1E	395	12	
		1E	719	8	
	S413T301-2		1	355A	4
			1A	460	4
			1B	382	4
			1C	558	4
			1D	438	4
			1E	377	2

25-28-09

ILLUSTRATED PARTS LIST
01.1 Page 1043
Apr 01/91

PART NUMBER	AIRLINE PART NO.	FIG.	ITEM	TTL REQ
T6C524JM		1	480	1
		1A	649	1
		1B	575	1
		1C	779	1
		1D	693	1
		1E	606	1
T6S1032J		1	58	6
		1	82	2
		1	98	6
		1	196	8
		1	219P	1
		1	502	9
		1	508A	1
		1A	18	6
		1A	48	2
		1A	66	6
		1A	216R	4
		1A	217R	4
		1A	667	9
		1B	47	2
		1B	587	9
		1B	662	4
		1B	689	4
		1C	831	4
		1D	60	2
		1D	666	1
		1D	743	8
		1E	23	6
		1E	621	4
	1E	663	3	
T6S832J		1	154	2
		1	407G	2
T6S832J		1A	153	2
		1A	544	2
		1B	130	2
		1B	474	2
		1C	162	2
		1C	651	2
		1D	189	2
		1D	561	2
		1E	155	1
		1E	501	2

25-28-09

 ILLUSTRATED PARTS LIST
 01.1 Page 1044
 Apr 01/91

PART NUMBER	AIRLINE PART NO.	FIG.	ITEM	TTL REQ
T8077S1032		1	408	2
		1A	550	2
		1B	478	2
		1C	657	2
		1D	567	2
		1E	507	2
T8078S1032		1	424	12
		1A	568	12
		1B	494	12
		1C	681	2
		1D	591	12
		1D	592	2
		1E	531	8
T8091S1032		1	388	22
		1A	511	22
		1B	444	22
		1C	615	20
		1D	525	22
		1E	465	8
T8114S1032S		1	386	4
		1A	508	4
		1B	442	4
		1C	612	4
		1D	522	4
		1E	462	2
UI19136-2B8		1	324	4
		1	338	4
UI19136-2B8		1A	424	4
		1A	439	4
		1B	358	4
		1B	368	4
		1C	516	4
		1C	531	4
		1D	306	4
		1D	321	4
		1E	341	2
		1E	356	2

25-28-09

PART NUMBER	AIRLINE PART NO.	FIG.	ITEM	TTL REQ
UI19136-6B8		1	342	12
		1A	442	12
		1B	370	4
		1C	534	12
		1D	324	12
		1E	359	6
VN151A1-02		1	386	4
		1A	508	4
		1B	442	4
		1C	612	4
		1D	522	4
		1E	462	2
VN152A1-02		1	388	22
		1A	511	22
		1B	444	22
		1C	615	20
		1D	525	22
		1E	465	8
VN201A1-02		1	408	2
		1A	550	2
		1B	478	2
		1C	657	2
		1D	567	2
		1E	507	2
VN203A1-02		1	424	12
		1A	568	12
		1B	494	12
		1C	681	2
		1D	591	12
		1E	592	2
		1E	531	8

25-28-09

 ILLUSTRATED PARTS LIST
 01.1 Page 1046
 Apr 01/91

PART NUMBER	AIRLINE PART NO.	FIG.	ITEM	TTL REQ
VN303A02		1	58	6
		1	82	2
		1	98	6
		1	196	8
VN303A02		1	219P	1
		1	502	9
		1	508A	1
		1A	18	6
		1A	48	2
		1A	66	6
		1A	216R	4
		1A	217R	4
		1A	667	9
		1B	47	2
		1B	587	9
		1B	662	4
		1B	689	4
		1C	831	4
		1D	60	2
		1D	666	1
		1D	743	8
		1E	23	6
		1E	621	4
		1E	663	3
VN303A82		1	154	2
		1	407G	2
		1A	153	2
		1A	544	2
		1B	130	2
		1B	474	2
		1C	162	2
		1C	651	2
		1D	189	2
		1D	561	2
		1E	155	1
		1E	501	2

25-28-09

ILLUSTRATED PARTS LIST
01.1 Page 1047
Apr 01/91

PART NUMBER	AIRLINE PART NO.	FIG.	ITEM	TTL REQ
WC2510-24		1	472A	1
		1A	637	1
		1B	567	1
		1C	770	1
		1D	684	1
		1E	600	1
WC4G1		1	526	1
		1A	688	1
		1B	610	1
		1C	804	1
		1D	717	1
WG4E		1	526	1
		1A	688	1
WG4E		1B	610	1
		1C	804	1
		1D	717	1
		1E	552	4
WS1-332A8		1D	698N	1
		1D	699N	1
		1	530	1
		1A	694	1
		1B	614	1
		1C	810	1
		1D	729	1
		1	480	1
		1A	649	1
YTM124B 10-60779-103L 10-60779-112L		1B	575	1
		1C	779	1
		1D	693	1
		1E	606	1
		1	512A	1
		1A	670A	1
109LH9075-5W		1C	820	1
		1D	736	1
		1E	642	1
		1	512A	1
		1A	670A	1
1281-1		1C	820	1
		1D	736	1
		1E	642	1
		1	512A	1
		1A	670A	1

25-28-09

 ILLUSTRATED PARTS LIST
 01.1 Page 1048
 Apr 01/91

PART NUMBER	AIRLINE PART NO.	FIG.	ITEM	TTL REQ		
130061		1	212	7		
		1	212A	1		
		1	224	4		
		1A	243	8		
		1A	726P	4		
		1B	225	8		
		1C	288	8		
		1E	404	5		
		2DCC6		1	524	2
				1A	685	2
1B	608			2		
2DCC6		1C	801	2		
		1D	714	2		
2055051		1	379	10		
		1A	493	10		
		1B	416	1		
		1B	430	10		
		1C	591	10		
		1D	505	10		
		1E	440	4		
2055144		1	428	14		
		1A	574	14		
		1B	498	14		
		1B	500	15		
		1C	690	9		
		1D	600	14		
		1D	603	1		
		1E	540	7		
		287T4150-10		1	193	1
				1A	218	1
287T4150-11		1	192	1		
		1A	217	1		
412T1000-1SP		1	394	1		
		1A	521	1		
		1B	450	1		
		1D	531	1		

25-28-09

ILLUSTRATED PARTS LIST
01.1 Page 1049
Apr 01/91

PART NUMBER	AIRLINE PART NO.	FIG.	ITEM	TTL REQ
412T1000-19SP		1B	452	1
412T1000-2SP		1	395	1
		1A	520	1
		1B	454	1
		1D	534	1
412T1000-20SP		1B	456	1
412T1000-3SP		1C	627	1
412T1000-4SP		1C	630	1
412T1000-53SP		1E	471	1
412T1000-54SP		1E	474	1
412T1000-59SP		1D	531A	1
412T1000-60SP		1D	534A	1
412T1000-69SP		1D	531B	1
412T1000-70SP		1D	534B	1
412T1000-75SP		1D	531C	1
412T1000-76SP		1D	534C	1
412T1001-1		1	398	1
		1B	462	1
412T1001-1		1D	543	1
412T1001-10		1C	663	1
412T1001-11		1E	510	1
412T1001-12		1E	513	1
412T1001-2		1	400	1
		1A	529	1
		1B	464	1
		1D	546	1
412T1001-3		1C	633	1
412T1001-4		1C	636	1
412T1001-5		1E	483	1
412T1001-6		1E	486	1
412T1001-7		1	412	1
		1A	554	1
		1B	480	1
		1D	570	1

25-28-09

 ILLUSTRATED PARTS LIST
 01.1 Page 1050
 Apr 01/91

PART NUMBER	AIRLINE PART NO.	FIG.	ITEM	TTL REQ
412T1001-8		1	414	1
		1A	553	1
		1B	482	1
		1D	573	1
412T1001-9		1C	660	1
412T1002-1SP		1	430	1
		1A	578	1
		1B	504	1
		1D	606	1
412T1002-10		1	440	1
		1A	601	1
		1B	526	1
		1D	648	1
412T1002-107SP		1D	639	1
412T1002-143SP		1E	543	1
412T1002-144SP		1E	546	1
412T1002-145		1E	567	1
412T1002-146		1E	570	1
412T1002-155SP		1D	606A	1
412T1002-156SP		1D	609A	1
412T1002-157		1D	645	1
412T1002-158		1D	651	1
412T1002-17SP		1	434	1
		1A	580	1
		1B	510	1
		1D	636	1
412T1002-179SP		1D	606B	1
412T1002-18SP		1C	705	1
412T1002-180SP		1D	609B	1
412T1002-181		1D	646	1
412T1002-182		1D	652	1

25-28-09

PART NUMBER	AIRLINE PART NO.	FIG.	ITEM	TTL REQ
412T1002-191SP		1D	606C	1
412T1002-192SP		1D	609C	1
412T1002-193		1D	642A	1
412T1002-194		1D	648A	1
412T1002-2SP		1	432	1
		1A	577	1
		1B	506	1
		1D	609	1
412T1002-20		1E	573	1
412T1002-49SP		1B	504A	1
412T1002-50SP		1B	506A	1
412T1002-51		1B	524A	1
412T1002-52		1B	528	1
412T1002-53SP		1B	512	1
		1D	640	1
412T1002-77SP		1C	693	1
412T1002-78SP		1C	696	1
412T1002-79		1C	720	1
412T1002-80		1C	723	1
412T1002-9		1	439	1
		1A	602	1
		1B	524	1
		1D	642	1
412T1003-1		1	418	6
		1A	556	6
		1B	486	6
		1C	669	6
		1D	579	6
		1D	580	1
		1E	519	4
412T1003-2		1	416	6
		1A	557	6
		1B	484	6
		1C	666	6
		1D	576	6
		1D	577	1
		1E	516	4
412T1003-3		1	427C	6
		1A	571A	6
		1B	496A	6
		1C	684	1
		1D	597	6
		1D	598	1

25-28-09

 ILLUSTRATED PARTS LIST
 01.1 Page 1052
 Apr 01/91

PART NUMBER	AIRLINE PART NO.	FIG.	ITEM	TTL REQ
412T1003-3		1E	537	4
412T1003-4		1	427B	6
		1A	572	6
		1B	496	6
		1C	687	1
		1D	594	6
		1D	595	1
		1E	534	4
412T1004-1SP		1	366	1
		1A	478A	1
		1B	397	1
		1D	486	1
412T1004-11		1C	588	1
412T1004-137SP		1D	486B	1
412T1004-138SP		1D	489A	1
412T1004-139		1D	501B	1
412T1004-140		1D	503A	1
412T1004-15		1E	434	1
412T1004-17SP		1	374	1
		1A	487	1
		1B	412	1
		1D	498	1
412T1004-18SP		1C	585	1
412T1004-3SP		1C	576	1
412T1004-36SP		1D	498B	1
412T1004-46SP		1B	414	1
412T1004-49		1B	424	1
412T1004-50		1B	426	1
412T1004-7SP		1E	425	1
412T1004-81SP		1B	399	1
412T1004-82SP		1B	401	1
412T1004-89SP		1D	486A	1
412T1004-9		1	376	1
		1A	490A	1
		1B	422	1
		1D	501	1

25-28-09

ILLUSTRATED PARTS LIST
01.1 Page 1053
Apr 01/91

PART NUMBER	AIRLINE PART NO.	FIG.	ITEM	TTL REQ
412T1004-90SP		1D	489	1
412T1004-91		1D	501A	1
412T1004-92		1D	503	1
412T1004-93SP		1D	498A	1
412T1008-4		1B	420	1
412T2010-1		1	512	1
		1A	670	1
		1B	595	1
		1C	784	1
412T2010-1		1D	702	1
412T2010-2		1	516	1
		1A	673	1
		1B	597	1
		1C	789	1
		1D	734	1
412T2010-3		1	518	1
		1A	676	1
		1B	601	1
		1C	792	1
		1D	705	1
412T2010-7		1D	697	1
412T2010-8		1D	700	1
412T2011-1		1	520	1
		1A	679	1
		1B	604	1
		1C	795	1
		1D	708	1
412T2011-2		1	528	1
		1A	691	1
		1B	612	1
		1C	807	1
		1D	720	1

25-28-09

 ILLUSTRATED PARTS LIST
 01.1 Page 1054
 Apr 01/91

PART NUMBER	AIRLINE PART NO.	FIG.	ITEM	TTL REQ
412T2012-1		1	534	1
		1A	700	1
		1B	619	1
		1C	816	1
		1D	726	1
412T2012-2		1	532	1
		1A	697	1
		1B	617	1
		1C	813	1
		1D	723	1
412T2013-2		1B	55	1
		1C	60	1
		1D	761	1
		1E	80	1
		1	482	1
412T2013-3		1A	652	1
		1B	590	1
		1D	752	1
		1	68	1
412T2013-4		1A	54	1
		1B	49	1
		1C	51	1
		1C	864	1
412T2013-4		1D	66	1
		1	356	2
		1A	463	2
412T2014-1		1B	387	2
		1C	561	2
		1D	471	2
		1E	410	2
		1	364	1
		1A	475	1
		1B	395	2
412T2014-2		1C	573	2
		1D	483	2
		1E	422	2

25-28-09

ILLUSTRATED PARTS LIST
01.1 Page 1055
Apr 01/91

PART NUMBER	AIRLINE PART NO.	FIG.	ITEM	TTL REQ		
412T2045-1		1C	840	1		
		1E	630	1		
412T2045-2		1C	843	1		
		1E	633	1		
412T2046-1		1C	846	1		
		1E	636	1		
412T2046-2		1C	849	1		
		1E	639	1		
412T2046-3		1	494	1		
		1A	662	1		
		1B	581	1		
		1D	746	1		
412T2046-4		1	496	1		
		1A	661	1		
		1B	583	1		
		1D	749	1		
412T2047-1		1	476	1		
		1A	643	1		
		1B	571	1		
		1D	690	1		
412T3108-1		1	46	1		
		1A	4	1		
412T3108-10		1B	32	1		
		1C	36	1		
		1D	42	1		
		1E	47	1		
		1	108	1		
412T3108-11		1A	82	1		
		1B	74	1		
		1C	90	1		
		1D	96	1		
		1E	68	1		
412T3108-11 412T3108-12		1	110	1		
		1A	81	1		
		1B	30A	1		
		1B	74A	1		
		1C	93	1		
		1D	39A	1		
		1D	99	1		
		1E	71	1		
		412T3108-17		1	60	1
				1A	21	1
1B	28			1		
1C	27			1		
1D	36			1		
		1E	38	1		

25-28-09

 ILLUSTRATED PARTS LIST
 01.1 Page 1056
 Apr 01/91

PART NUMBER	AIRLINE PART NO.	FIG.	ITEM	TTL REQ
412T3108-2		1	48	1
		1A	3	1
412T3108-3		1B	5	1
		1C	6	1
		1E	26	1
		1B	7	1
412T3108-4		1C	9	1
		1E	29	1
		1	90	1
		1A	58	1
412T3108-5		1B	56	1
		1C	63	1
		1D	69	1
		1E	50	1
		1	92	1
		1A	57	1
		1B	5A	1
412T3108-6		1B	56A	1
		1C	66	1
		1D	6A	1
		1D	72	1
		1E	53	1
		1	64	1
		1A	28	1
412T3108-7		1	66	1
412T3108-8		1A	27	1
412T3108-9		1B	30	1
		1C	33	1
		1D	39	1
412T3108-9		1E	44	1
		1	442	1
412T3109-1		1A	605	1
412T3109-10		1C	753	1
		1E	648	1

25-28-09

ILLUSTRATED PARTS LIST
01.1 Page 1057
Apr 01/91

PART NUMBER	AIRLINE PART NO.	FIG.	ITEM	TTL REQ
412T3109-11		1	454	1
		1A	620	1
412T3109-12		1	456	1
		1A	619	1
412T3109-13		1B	546	1
		1C	744	1
		1D	803	1
		1E	594	1
		1B	548	1
412T3109-14		1C	747	1
		1D	806	1
		1E	597	1
		1	468	1
		1A	635	1
412T3109-15		1B	546B	1
		1B	560	1
		1D	779	1
		1	470	1
		1A	634	1
		1B	546A	1
412T3109-16		1B	562	1
		1D	782	1
		1D	803A	1
		1C	765	1
		1E	667	1
412T3109-19		1	444	1
412T3109-2		1A	604	1
		1C	768	1
412T3109-20		1E	669	1
		1	452	1
412T3109-21		1A	616	1
		1B	544	1
		1C	741	1
		1D	800	1
		1E	591	1

25-28-09

 ILLUSTRATED PARTS LIST
 01.1 Page 1058
 Apr 01/91

PART NUMBER	AIRLINE PART NO.	FIG.	ITEM	TTL REQ
412T3109-3		1B	530	1
		1C	726	1
		1D	785	1
		1E	576	1
		1E	576	1
412T3109-4		1B	532	1
		1C	729	1
		1D	788	1
		1E	579	1
		1E	579	1
412T3109-5		1	458	1
		1A	623	1
		1B	530B	1
		1B	550	1
		1D	764	1
		1D	764	1
		1D	764	1
412T3109-6		1	460	1
		1A	622	1
		1B	530A	1
		1B	552	1
		1D	767	1
		1D	785A	1
		1C	750	1
		1E	645	1
		1A	1A	RF
		1	80	4
413T1002-175SP 413T1002-19		1A	45	4
		1B	43	4
		1C	48	4
		1C	858	4
		1D	63	4
		1B	3D	RF
		1D	1	RF
		1D	3	RF
		1D	1A	RF
		1D	3A	RF
413T1002-190SP		1B	3D	RF
413T1002-309SP		1D	1	RF
413T1002-310SP		1D	3	RF
413T1002-311SP		1D	1A	RF
413T1002-312SP		1D	3A	RF

25-28-09

PART NUMBER	AIRLINE PART NO.	FIG.	ITEM	TTL REQ
413T1002-339SP		1D	1B	RF
413T1002-340SP		1D	3B	RF
413T1002-345SP		1D	1C	RF
413T1002-346SP		1D	3C	RF
413T1002-347SP		1D	1D	RF
413T1002-348SP		1D	3D	RF
413T1002-373SP		1E	1	RF
413T1002-374SP		1E	5	RF
413T1002-41SP		1	1	RF
413T1002-42SP		1	5	RF
413T1002-43SP		1	1A	RF
413T1002-44SP		1	5A	RF
413T1002-45SP		1	1B	RF
413T1002-46SP		1	5B	RF
413T1002-49SP		1	1C	RF
413T1002-50SP		1	5C	RF
413T1002-51SP		1	1D	RF
413T1002-53SP		1	1H	RF
413T1002-55SP		1	1E	RF
413T1002-57SP		1B	1	RF
413T1002-58SP		1B	3	RF
413T1002-59SP		1B	1A	RF
413T1002-60SP		1B	3A	RF
413T1002-63SP		1C	1	RF
413T1002-64SP		1C	3	RF
413T1002-73SP		1	1F	RF
413T1002-75SP		1	1G	RF
413T1002-76SP		1	5E	RF
413T1002-86SP		1A	1	RF
413T1002-87SP		1B	1C	RF
413T1002-88SP		1B	3C	RF
413T1002-95SP		1B	1B	RF
413T1002-96SP		1B	3B	RF
413T1004-20		1E	437	1
413T1007-10SP		1	133A	2
		1A	123A	2
		1B	104	2
		1C	132	2
		1D	159	2
		1E	131	1
413T1007-117SP		1D	102	2
413T1007-63SP		1	111	1
		1	112A	1
		1A	84	2
413T1007-64SP		1C	96	2

25-28-09

 ILLUSTRATED PARTS LIST
 01.1 Page 1060
 Apr 01/91

PART NUMBER	AIRLINE PART NO.	FIG.	ITEM	TTL REQ
413T1007-83SP		1	111A	1
		1	112C	1
		1A	84A	2
		1D	102A	2
		1C	96A	2
413T1007-84SP		1E	83	1
413T1007-86SP		1	112D	1
413T1007-94SP		1	112E	1
413T1007-95SP		1A	85	2
413T1010-1		1	125	4
		1A	111	4
		1B	96	4
		1C	123	4
		1D	132	4
		1E	113	2
		1	588	2
413T1011-1		1	591	2
		1	594	3
		1A	757	3
		1	604	1
413T1011-2		1	610	1
413T1011-3		1	598	1
		1A	770	1
		1	599	1
413T1011-4		1A	769	1
413T1012-1		1B	698	1
413T1013-1		1	552	1
413T1013-10		1C	894	1
413T1013-101		1B	800	1
		1C	906	1
		1D	824	1
		1E	725	1
		1	725	1

25-28-09

ILLUSTRATED PARTS LIST
01.1 Page 1061
Apr 01/91

PART NUMBER	AIRLINE PART NO.	FIG.	ITEM	TTL REQ
413T1013-102		1B	802	1
		1C	909	1
		1D	827	1
		1E	728	1
413T1013-107		1	552D	1
413T1013-108		1	554C	1
413T1013-109		1	582A	1
413T1013-110		1	584A	1
		1A	748	1
413T1013-111		1B	723A	1
413T1013-112		1B	726A	1
413T1013-113		1B	751A	1
413T1013-114		1B	753A	1
413T1013-145		1	552E	1
413T1013-147		1	636C	1
413T1013-149		1	582B	1
413T1013-15		1	636	1
413T1013-16		1	638	1
413T1013-161		1	552H	1
413T1013-163		1	618A	1
413T1013-17		1	636A	1
413T1013-179		1	207A	2
		1A	228A	2
		1B	191	2
413T1013-18		1	638A	1
413T1013-180		1	208A	1
		1A	231A	1
413T1013-180		1B	195	2
		1C	261	1
413T1013-181		1	209A	2
		1A	234A	2
		1B	199	2
		1C	267	2

25-28-09

 ILLUSTRATED PARTS LIST
 01.1 Page 1062
 Apr 01/91

PART NUMBER	AIRLINE PART NO.	FIG.	ITEM	TTL REQ
413T1013-182		1C	255	1
413T1013-19		1	636B	1
413T1013-2		1	554	1
413T1013-20		1	638B	1
413T1013-201		1	197A	1
413T1013-202		1	198A	1
		1A	219A	1
413T1013-203		1B	180A	1
413T1013-204		1B	183A	1
413T1013-205		1C	240A	1
413T1013-206		1C	243A	1
413T1013-21		1	566	1
		1A	730	1
		1C	897	1
		1D	815	1
		1E	678	1
413T1013-213		1B	180C	1
413T1013-214		1B	183C	1
413T1013-217		1	201	1
413T1013-22		1	568	1
		1A	733	1
		1C	900	1
		1D	818	1
		1E	681	1
413T1013-23		1	572	1
		1A	740	1
413T1013-24		1	574	1
		1A	739	1
413T1013-245		1B	723C	1
413T1013-246		1B	726C	1
413T1013-247		1B	751C	1
		1D	854A	1
413T1013-248		1B	753C	1
		1D	857A	1

25-28-09

ILLUSTRATED PARTS LIST
01.1 Page 1063
Apr 01/91

PART NUMBER	AIRLINE PART NO.	FIG.	ITEM	TTL REQ
413T1013-25		1	582	1
413T1013-25		1C	240B	1
413T1013-251		1B	800A	1
413T1013-252		1B	802A	1
413T1013-26		1	584	1
		1C	243B	1
413T1013-27		1B	751	1
		1D	854	1
413T1013-28		1B	753	1
		1D	857	1
413T1013-29		1B	739	1
		1D	842	1
413T1013-299		1B	751B	1
413T1013-3		1	552A	1
413T1013-30		1B	741	1
		1D	845	1
413T1013-300		1B	753B	1
413T1013-303		1B	723B	1
413T1013-304		1B	726B	1
413T1013-31		1C	929	1
413T1013-315		1B	751D	1
413T1013-316		1B	753D	1
413T1013-317		1	552K	1
413T1013-318		1	554E	1
413T1013-319		1	636F	1
413T1013-32		1C	932	1
413T1013-320		1	638D	1
413T1013-333		1	200C	1
413T1013-334		1	200B	1
413T1013-335		1	552J	1
413T1013-336		1A	727	1
413T1013-337		1	636G	1
413T1013-338		1A	781	1
413T1013-37		1	197	1
413T1013-38		1	198	1
		1A	219	1
413T1013-389		1D	809A	1
413T1013-39		1B	180	1
413T1013-390		1D	812A	1
413T1013-391		1D	824A	1
413T1013-392		1D	827A	1
413T1013-4		1	554A	1
413T1013-40		1B	183	1
413T1013-41		1C	240	1
413T1013-42		1C	243	1
413T1013-443		1A	728	1
413T1013-445		1A	782	1

25-28-09

 ILLUSTRATED PARTS LIST
 01.1 Page 1064
 Apr 01/91

PART NUMBER	AIRLINE PART NO.	FIG.	ITEM	TTL REQ
413T1013-473		1B	723D	1
413T1013-474		1B	726D	1
413T1013-49		1C	918	1
		1E	686	1
413T1013-499		1E	698	1
413T1013-5		1	552B	1
413T1013-50		1C	921	1
		1E	689	1
413T1013-6		1	554B	1
413T1013-600		1E	701	1
413T1013-633		1D	809C	1
413T1013-634		1D	812C	1
413T1013-635		1D	854C	1
413T1013-636		1D	857C	1
413T1013-641		1E	672	1
413T1013-642		1E	675	1
413T1013-669		1D	809B	1
413T1013-670		1D	812B	1
413T1013-671		1D	842A	1
413T1013-672		1D	845A	1
413T1013-675		1D	854B	1
413T1013-676		1D	857B	1
413T1013-7		1B	723	1
		1D	809	1
413T1013-8		1B	726	1
		1D	812	1
413T1013-84		1	209	2
		1A	234	2
		1B	197	2
		1C	264	2
413T1013-85		1	208	1
		1A	231	1
		1B	193	2
		1C	258	1
413T1013-86		1	207	2
		1A	228	2
		1B	189	2
413T1013-87		1C	252	2
413T1013-9		1C	891	1
413T1013-93		1	552C	1
413T1013-94		1	618	1
413T1013-96		1	215	1
413T1013-97		1B	219	1
413T1013-98		1C	285	1

25-28-09

ILLUSTRATED PARTS LIST
01.1 Page 1065
Apr 01/91

PART NUMBER	AIRLINE PART NO.	FIG.	ITEM	TTL REQ
413T1014-1		1	164	1
		1A	174	1
		1B	142	1
		1C	183	1
		1D	201	1
		1E	176	1
413T1014-2		1	184	1
		1A	207	1
		1B	169	1
		1C	228	1
		1D	204	1
		1E	179	1
413T1014-3		1	189	2
		1A	216	2
		1B	175	1
		1C	237	2
		1D	213	2
		1E	182	2
413T1014-5		1	213	7
		1	213A	1
		1A	246	8
		1B	227	8
		1C	297	8
		1D	459	8
413T1015-11		1E	407	5
		1	170	1
		1A	187	1
		1B	150	1
		1C	216	1
		1D	225	1
413T1015-12		1	172	1
		1A	186	1
		1B	150A	1
		1C	219	1
		1D	228	1

25-28-09

 ILLUSTRATED PARTS LIST
 01.1 Page 1066
 Apr 01/91

PART NUMBER	AIRLINE PART NO.	FIG.	ITEM	TTL REQ
413T1015-21		1	176A	1
		1A	190	1
		1B	153	1
		1C	186	1
		1D	231	1
413T1015-22		1	177A	1
		1A	189A	1
		1B	153A	1
		1C	189	1
		1D	234	1
413T1015-23		1	181B	1
		1A	199	1
		1B	161	1
		1C	201	1
		1D	246	1
413T1015-24		1	181C	1
		1A	198A	1
		1B	161A	1
		1C	204	1
		1D	249	1
413T1016-1		1D	881	1
413T1016-2		1C	935	1
413T1017-10		1	238	2
		1A	277	2
		1B	244	2
		1C	321	2
413T1017-15		1	230A	2
		1A	259A	2
		1B	232A	2
		1C	300A	2
413T1017-16		1	232A	2
		1A	262A	2
		1B	234A	2
		1C	303A	2

25-28-09

ILLUSTRATED PARTS LIST
01.1 Page 1067
Apr 01/91

PART NUMBER	AIRLINE PART NO.	FIG.	ITEM	TTL REQ
413T1017-19		1	237G	2
		1A	274A	2
		1B	242A	2
		1C	324	2
413T1017-20		1	238G	2
		1A	277A	2
		1B	244A	2
		1C	330	2
413T1017-23		1	230B	2
		1A	259B	2
		1B	232B	2
		1C	300B	2
		1D	252	2
		1E	191	1
413T1017-24		1	232B	2
		1A	262B	2
		1B	234B	2
413T1017-24		1C	303B	2
		1D	255	2
		1E	194	1
		1	237P	2
413T1017-27		1A	274B	2
		1B	242B	2
		1C	327	2
		1D	261	2
		1E	200	1
		1	238P	2
413T1017-28		1A	277B	2
		1B	244B	2
		1C	333	2
		1D	264	2
		1E	203	1

25-28-09

 ILLUSTRATED PARTS LIST
 01.1 Page 1068
 Apr 01/91

PART NUMBER	AIRLINE PART NO.	FIG.	ITEM	TTL REQ
413T1017-3		1	350	4
		1A	451	4
		1B	376	4
		1C	549	4
		1D	291	4
		1E	368	2
413T1017-7		1	230	2
		1A	259	2
		1B	232	2
		1C	300	2
413T1017-8		1	232	2
		1A	262	2
		1B	234	2
		1C	303	2
413T1017-9		1	237	2
		1A	274	2
		1B	242	2
		1C	318	2
413T1020-1		1	294	4
		1A	379	4
		1B	322	4
		1B	324	4
		1C	465	4
		1C	468	4
		1D	360A	4
		1E	257A	2
413T1020-2		1	300	4
		1A	391	4
413T1020-2		1B	331	4
		1C	477	4
		1D	369A	4
		1E	266A	2
		1	295	4
413T1020-4		1A	382	4
		1B	324A	4
		1C	468A	4
		1D	360	4
		1E	257	2
		1	301	4
		1A	391A	4
		1B	333	4
413T1020-5		1C	480	4
		1D	369	4
		1E	266	2

25-28-09

ILLUSTRATED PARTS LIST
01.1 Page 1069
Apr 01/91

PART NUMBER	AIRLINE PART NO.	FIG.	ITEM	TTL REQ
413T1021-1		1	306	4
		1A	403	4
		1B	344	4
		1C	495	4
		1D	405	4
		1E	281	2
413T1021-2		1	312	4
		1A	412	4
		1B	350	4
		1C	504	4
		1D	414	4
		1E	290	2
413T1022-10		1	280	2
		1A	367	2
		1C	447	2
		1D	396A	2
		1E	332B	1
		1	272P	2
413T1022-11		1A	346C	2
		1A	349	2
		1B	296B	2
		1C	426A	2
		1D	381B	2
		1E	317	1
413T1022-12		1	273P	2
413T1022-12		1A	352	2
		1B	298B	2
		1C	432A	2
		1D	384B	2
		1E	320	1
413T1022-13		1	279	2
		1A	364	2
		1B	306	2
		1C	444	2
		1D	393B	2
		1E	329	1

25-28-09

 ILLUSTRATED PARTS LIST
 01.1 Page 1070
 Apr 01/91

PART NUMBER	AIRLINE PART NO.	FIG.	ITEM	TTL REQ
413T1022-14		1	281	2
		1A	367A	2
		1B	308	2
		1C	450	2
		1D	396B	2
		1E	332	1
413T1022-17		1	279A	2
		1A	367B	2
		1B	311	2
		1C	451	2
		1D	393	2
		1E	329A	1
413T1022-18		1	281A	2
		1A	367C	2
		1B	313	2
		1C	452	2
		1D	396	2
		1E	332A	1
413T1022-19		1	272S	2
		1A	346D	2
		1B	296E	2
		1C	426D	2
		1D	381	2
		1E	317A	1
413T1022-20		1	273S	2
		1A	352E	2
		1B	298E	2
		1C	432D	2
		1D	384	2
		1E	320A	1
413T1022-7		1	272	2
		1A	346	2
		1B	296	2
		1C	423	2
		1C	426	2
		1D	381A	2
		1E	317B	1

25-28-09

ILLUSTRATED PARTS LIST
01.1 Page 1070A
Apr 01/91

PART NUMBER	AIRLINE PART NO.	FIG.	ITEM	TTL REQ		
413T1022-8		1	273	2		
		1A	349A	2		
		1A	352B	2		
		1B	298	2		
		1C	429	2		
		1C	432	2		
		1D	384A	2		
		1E	320B	1		
		413T1022-9		1	278	2
				1A	361	2
1B	310			2		
1C	441			2		
1D	393A			2		
1E	329B			1		
413T1023-1		1	260	2		
		1A	325	2		
		1B	280	2		
		1C	402	2		
		1D	417	2		
		1E	296	1		
413T1023-2		1	262	2		
		1A	328	4		
		1B	282	2		
		1C	405	2		
		1D	420	2		
		1E	299	1		
413T1023-3		1	270	2		
		1A	340	2		
		1B	290	2		
		1C	417	2		
		1D	432	2		
		1E	311	1		

25-28-09

 ILLUSTRATED PARTS LIST
 01.1 Page 1070B
 Apr 01/91

PART NUMBER	AIRLINE PART NO.	FIG.	ITEM	TTL REQ
413T1023-4		1	271	2
		1A	343	2
		1B	292	2
		1C	420	2
		1D	435	2
		1E	314	1
413T1024-2		1	140	2
		1A	132	2
		1B	112	2
		1C	141	2
		1D	162	2
		1E	134	1
413T1028-2		1	121	2
		1A	99	2
		1B	86	2
		1C	108	2
		1D	126	2
		1E	107	1
413T1028-4		1	113	2
		1A	87	2
		1B	80	2
		1C	99	2
		1D	111	2
		1E	92	1
413T1028-5		1	113A	2
		1A	87A	2
		1B	80A	2
		1C	99A	2
		1D	111A	2
		1E	92A	1
413T1030-3		1	162	2
		1A	165	2
		1B	134	2
		1C	174	2
		1D	192A	2
		1E	167A	1
413T1030-4		1B	134A	2
		1C	174A	2
		1D	192	2
413T1030-4		1E	167	1
413T1081-1		1	380	1
		1A	496	1
		1B	432	1
		1D	507	1

25-28-09

ILLUSTRATED PARTS LIST
01.1 Page 1070C
Apr 01/91

PART NUMBER	AIRLINE PART NO.	FIG.	ITEM	TTL REQ
413T1081-11		1E	468	1
413T1081-2		1C	594	1
413T1081-5		1E	443	1
413T1081-6		1	392	1
		1A	514	1
		1B	446	1
		1D	528	1
413T1081-7		1C	618	1
413T1083-10		1	251	4
		1A	307	4
		1B	270A	4
		1C	384	4
		1D	345	4
		1E	242	2
413T1083-11		1	302G	4
		1A	394A	4
		1B	338	4
		1C	486	4
		1D	372	4
		1E	269	2
413T1083-2		1	252	4
		1A	310	4
		1B	272	4
		1C	387	4
413T1083-3		1	250	4
		1A	304	4
		1C	381	4
413T1083-5		1	286	8
		1A	376	8
		1B	318	8
		1C	459	8
		1D	339	8
		1E	236	4

25-28-09

 ILLUSTRATED PARTS LIST
 01.1 Page 1070D
 Apr 01/91

PART NUMBER	AIRLINE PART NO.	FIG.	ITEM	TTL REQ
413T1083-6		1	302	4
		1A	394	4
		1B	336	4
		1C	483	4
413T1083-8		1	314	4
		1A	415	4
		1B	352	4
413T1083-8		1C	507	4
		1D	399	4
		1E	293	2
		1	252G	4
		1A	313	4
413T1083-9		1B	272A	4
		1C	390	4
		1D	348	4
		1E	245	2
		1	304	4
		1A	400	4
		1B	342	4
413T1084-1		1C	492	4
		1D	402	4
		1E	278	2
		1	256	4
		1A	322	4
		1B	276	4
		1C	396	4
413T1085-3		1D	354	4
		1E	254	2
		1	254	8
		1A	319	8
		1B	274	8
		1C	393	8
413T1085-4		1D	351	8
		1E	251	4

25-28-09

ILLUSTRATED PARTS LIST
01.1 Page 1070E
Apr 01/91

PART NUMBER	AIRLINE PART NO.	FIG.	ITEM	TTL REQ
413T1086-1		1	243	2
		1A	290	2
		1B	260	4
		1C	351	2
413T1086-10		1	320	2
		1A	421	2
		1B	356	2
		1C	513	2
		1D	303A	2
		1E	338	1
413T1086-11		1	328	2
		1A	427	2
		1B	360	2
		1C	519	2
413T1086-11		1D	309A	2
		1E	344	1
413T1086-12		1	330	2
		1A	430	2
		1B	362	2
		1C	522	2
		1D	312A	2
		1E	347	1
413T1086-13		1	239	2
		1A	280	2
		1B	246	2
		1C	357	2
		1D	276A	2
		1E	212	1
413T1086-14		1	239B	2
		1A	280B	2
		1B	250	2
		1C	360	2
		1D	279A	2
		1E	215	1

25-28-09

 ILLUSTRATED PARTS LIST
 01.1 Page 1070F
 Apr 01/91

PART NUMBER	AIRLINE PART NO.	FIG.	ITEM	TTL REQ
413T1086-15		1	332A	2
		1A	433A	2
		1B	364A	2
		1C	525A	2
		1D	315	2
		1E	350	1
413T1086-16		1	334A	2
		1A	436A	2
		1B	366A	2
		1C	528A	2
		1D	318	2
		1E	353	1
413T1086-17		1	346A	2
		1B	372A	2
		1C	540	2
		1D	327	2
		1E	362	1
413T1086-18		1	348A	2
		1A	448A	2
		1B	374A	2
		1C	546	2
		1D	330	2
		1E	365	1
413T1086-19		1	239A	2
		1A	280A	2
		1B	248	2
		1C	336	2
413T1086-2		1	243G	2
		1A	290G	2
		1B	260A	4
		1C	354	2
413T1086-20		1	239C	2
		1A	280C	2
		1B	252	2
		1C	339	2
413T1086-21		1	242	4
		1A	289	4
		1B	258	4
		1C	348	4
413T1086-3		1	332	2
		1A	433	2
		1B	364	2
		1C	525	2
		1D	315A	2
		1E	350A	1

25-28-09

ILLUSTRATED PARTS LIST
01.1 Page 1070G
Apr 01/91

PART NUMBER	AIRLINE PART NO.	FIG.	ITEM	TTL REQ
413T1086-31		1	239G	2
		1A	280F	2
		1B	246A	2
		1C	357A	2
		1D	276	2
		1E	212A	1
413T1086-32		1	239P	2
		1A	280H	2
		1B	250A	2
		1C	360A	2
		1D	279	2
		1E	215A	1
413T1086-35		1	318B	2
		1B	354B	2
		1C	510B	2
		1D	300	2
		1E	335A	1
		1	320B	2
413T1086-36		1A	421B	2
		1B	356B	2
		1C	513B	2
		1D	303	2
		1E	338A	1
		1	328A	2
413T1086-37		1A	427A	2
		1B	360A	2
		1C	519G	2
		1D	309	2
		1E	344A	1
		1	330A	2
413T1086-38		1A	430A	2
		1B	362B	2
		1C	522G	2
		1D	312	2
		1E	347A	1

25-28-09

 ILLUSTRATED PARTS LIST
 01.1 Page 1070H
 Apr 01/91

PART NUMBER	AIRLINE PART NO.	FIG.	ITEM	TTL REQ
413T1086-4		1	334	2
		1A	436	2
		1B	366	2
		1C	528	2
		1D	318A	2
		1E	353A	1
413T1086-5		1	346	2
		1A	445	2
		1B	372	2
		1C	537	2
		1D	327A	2
		1E	362A	1
413T1086-6		1	348	2
		1A	448	2
		1B	374	2
		1C	543	2
		1D	330A	2
		1E	365A	1
413T1086-7 413T1086-7		1	245	4
		1A	301	4
		1B	268	4
		1C	378	4
		1D	288	4
		1E	227	2
413T1086-9		1	318	2
		1A	418	2
		1B	354	2
		1C	510	2
		1D	300A	2
		1E	335	1
413T1087-1		1	288	4
		1A	378	4
		1B	320	4
		1C	462	4
		1D	342	4
		1E	239	2

25-28-09

ILLUSTRATED PARTS LIST
01.1 Page 1070I
Apr 01/91

PART NUMBER	AIRLINE PART NO.	FIG.	ITEM	TTL REQ
413T1090-1		1	150A	2
		1A	147	2
		1B	122	2
		1C	156	2
		1D	177	2
		1E	149	1
413T1090-3		1	146A	2
		1A	141	2
		1B	118	2
		1C	150	2
		1D	171	2
		1E	143	1
413T1091-1		1	152	2
		1A	150	2
		1B	124	2
		1C	159	2
		1D	180	2
		1E	152	1
413T1092-2		1	160	2
		1A	162	2
		1B	126	2
		1C	171	2
		1D	183	2
		1E	164	1
413T1093-2		1	148	2
		1A	144	2
		1B	120	2
		1C	153	2
		1D	174	2
		1E	146	1
413T1093-3		1	119	2
		1A	96	2
		1B	88	2
		1C	111	2
		1D	123	2
		1E	104	1

25-28-09

 ILLUSTRATED PARTS LIST
 01.1 Page 1070J
 Apr 01/91

PART NUMBER	AIRLINE PART NO.	FIG.	ITEM	TTL REQ
413T1095-10		1	549A	1
		1A	724A	1
		1B	635A	1
		1D	681A	1
413T1095-11		1C	888A	1
413T1095-3		1	549	1
		1A	724	1
		1B	635	1
413T1095-4		1C	888	1
413T1095-5		1	542	1
		1A	712	1
		1B	627	1
		1C	873	1
413T1095-6		1D	678	1
		1	538	1
		1A	706	1
		1B	623	1
413T1095-7		1C	867	1
413T1095-8		1	538A	1
		1A	706A	1
		1B	623A	1
		1D	654	1
413T1095-9		1C	867A	1
413T1097-1		1	226	1
413T1097-11		1A	726	1
413T1097-8		1	226P	1
413T1097-9		1	228A	1
413T1098-1		1	225	7
		1A	725	7
		1B	717	3
413T1118-3		1	127	2
413T1118-3		1A	114	2
		1B	98	2
		1C	126	2
		1D	153	2
		1E	116	1
413T1118-4		1	129	2
		1A	117	2
		1B	100	2
		1C	129	2
		1D	156	2
		1E	119	1

25-28-09

ILLUSTRATED PARTS LIST
01.1 Page 1070K
Apr 01/91

PART NUMBER	AIRLINE PART NO.	FIG.	ITEM	TTL REQ
413T1120-1		1B	640	1
413T1120-2		1B	645	1
413T1120-3		1B	671	2
413T1120-4		1B	674	2
413T1120-5		1B	692	2
413T1120-6		1B	668	2
413T1132-1		1	122J	2
		1A	105	2
		1B	92	2
		1C	117	2
413T1133-1		1	225Q	1
413T1136-1		1	197C	1
413T1136-15		1B	180B	1
		1D	441	1
413T1136-16		1B	183B	1
		1D	444	1
413T1136-17		1B	180D	1
413T1136-18		1B	183D	1
413T1136-2		1	198C	1
		1A	219B	1
413T1136-3		1	201A	1
		1A	220	1
413T1136-41		1E	380	1
413T1136-5		1	200D	1
413T1136-61		1	209B	1
		1A	235	1
		1B	201	5
		1C	270	1
		1D	468	1
413T1136-61		1E	389	1
413T1144-1		1D	141	4
417T1007-63SP		1B	78	2
417T1007-83SP		1B	78A	2
5R3-1		1	354	4
		1A	457	4
		1B	380	4
		1C	555	4
		1D	297	4
		1E	374	2
5S1-6		1	246	4
		1A	295	4
		1B	264	4
		1C	372	4
		1D	282	4
		1E	218	2

25-28-09

 ILLUSTRATED PARTS LIST
 01.1 Page 1070L
 Apr 01/91

PART NUMBER	AIRLINE PART NO.	FIG.	ITEM	TTL REQ	
5S3-2		1	248	4	
		1A	298	4	
		1B	266	4	
		1C	375	4	
		1D	285	4	
		1E	221	2	
55282		1	526	1	
		1A	688	1	
		1B	610	1	
		1C	804	1	
		1D	717	1	
6035-04BR0219		1	324A	4	
		1	338A	4	
		1A	424A	4	
		1A	439A	4	
		1B	358A	4	
		1B	368A	4	
		1C	516A	4	
		1C	531A	4	
		1D	306A	4	
		1D	321A	4	
		1E	341A	2	
		1E	356A	2	
	6041-3BR0375		1	342A	12
			1A	442A	12
		1B	370A	4	
		1C	534A	12	
		1D	324A	12	
6041-3BR0375		1E	359A	6	
		1A	637	1	
		1B	567	1	
		1C	770	1	
		1D	684	1	
		1E	600	1	

25-28-09

ILLUSTRATED PARTS LIST
01.1 Page 1070M
Apr 01/91

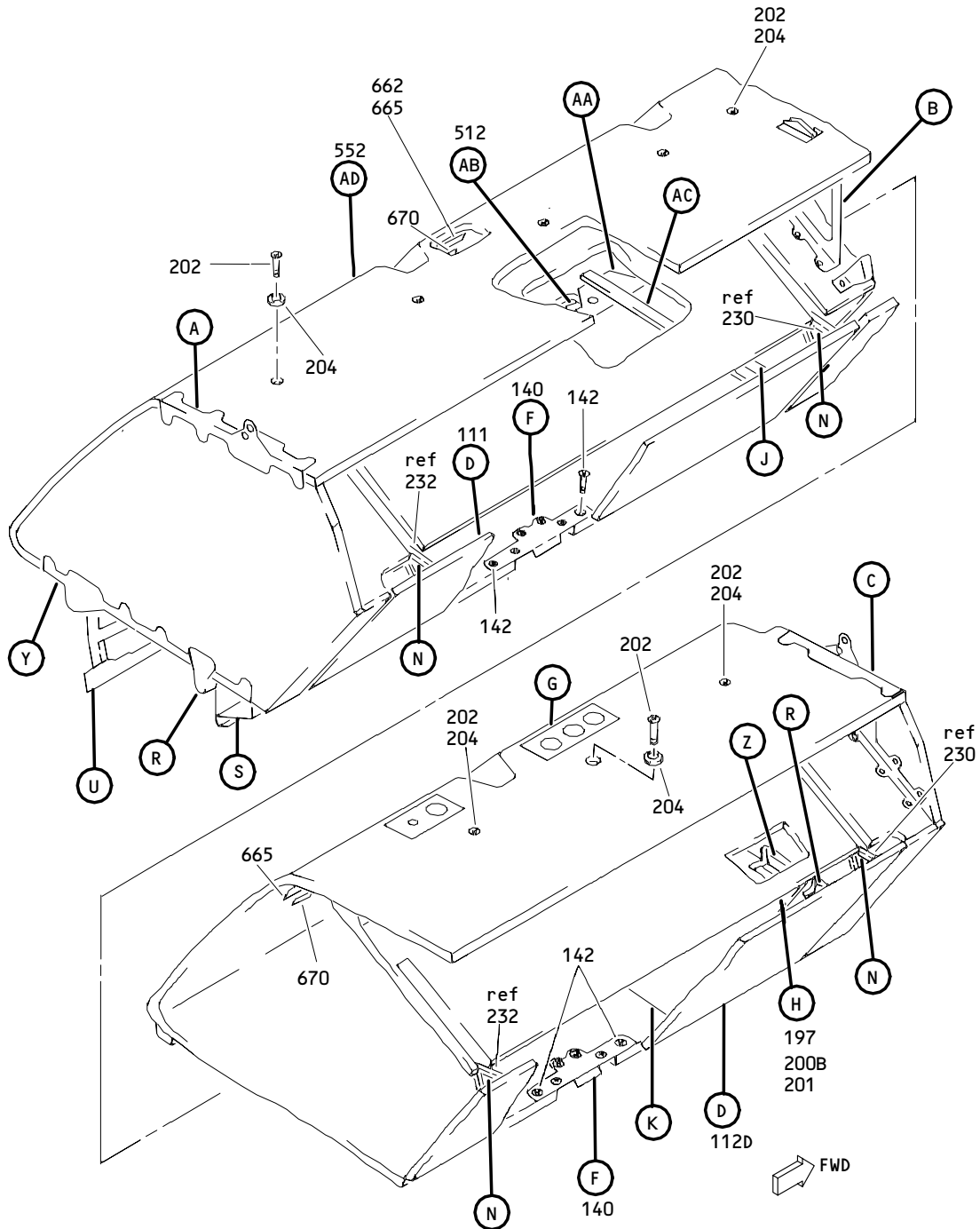
PART NUMBER	AIRLINE PART NO.	FIG.	ITEM	TTL REQ	
96-02		1	58	6	
		1	82	2	
		1	98	6	
		1	196	8	
		1	219P	1	
		1	502	9	
		1	508A	1	
		1A	18	6	
		1A	48	2	
		1A	66	6	
		1A	216R	4	
		1A	217R	4	
		1A	667	9	
		1B	47	2	
		1B	587	9	
		1B	662	4	
		1B	689	4	
		1C	831	4	
		1D	60	2	
		1D	666	1	
		1D	743	8	
		1E	23	6	
		1E	621	4	
		1E	663	3	
	96-82		1	154	2
			1	407G	2
			1A	153	2
		1A	544	2	
		1B	130	2	
		1B	474	2	
		1C	162	2	
		1C	651	2	
		1D	189	2	
		1D	561	2	
		1E	155	1	
		1E	501	2	
97E054			1	480	1
97E054		1A	649	1	
		1B	575	1	
		1C	779	1	
		1D	693	1	
		1E	606	1	

25-28-09

 ILLUSTRATED PARTS LIST
 01.1 Page 1070N
 Apr 01/91

PART NUMBER	AIRLINE PART NO.	FIG.	ITEM	TTL REQ
9994		1	230C	2
		1	232C	2
		1A	259D	2
		1A	262D	2
		1B	232D	2
		1B	234D	2
		1C	300C	2
		1C	303C	2
		1D	252A	2
		1D	255A	2
		1E	191A	1
		1E	194A	1

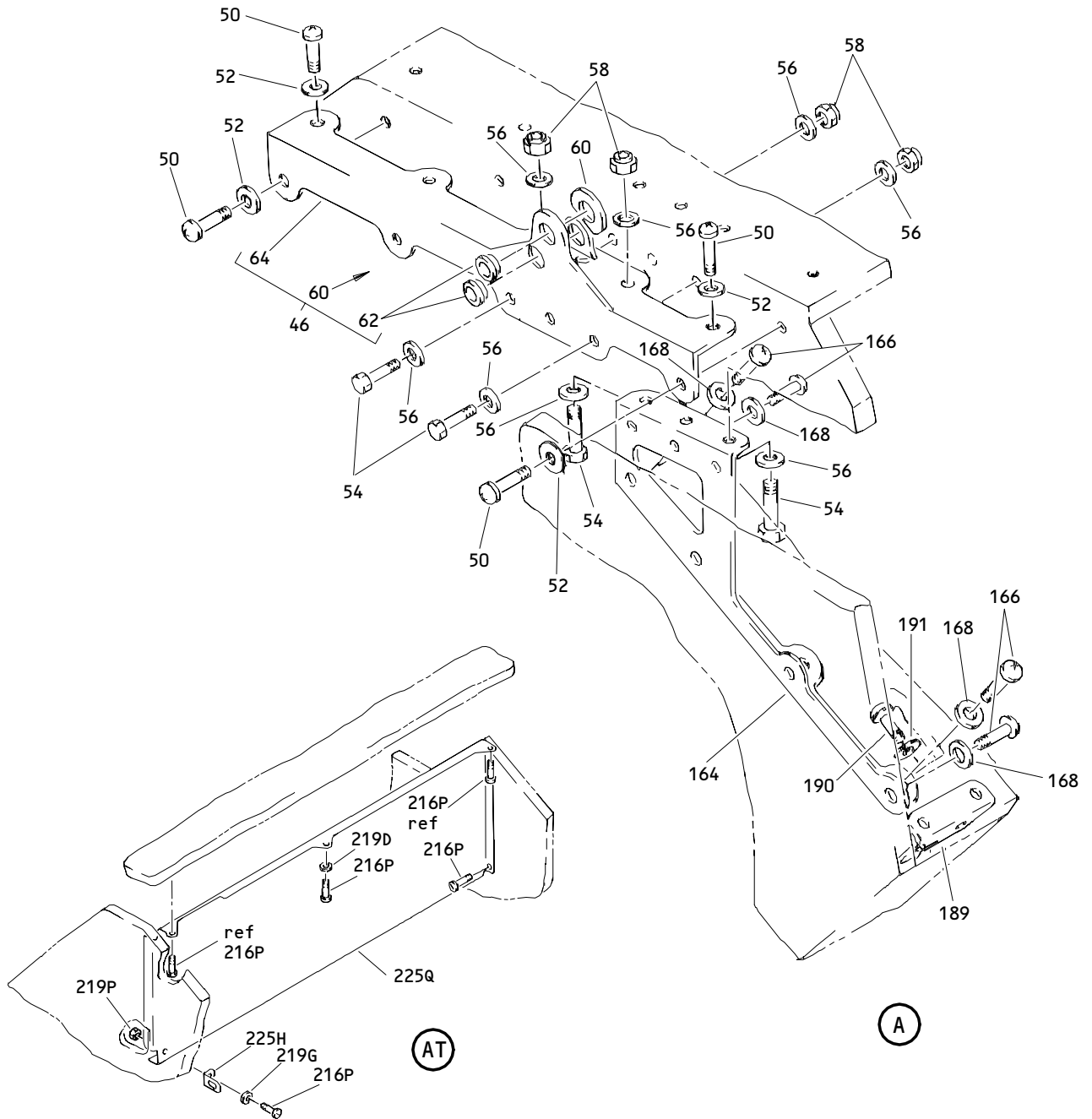
25-28-09



Outboard Overhead Stowage 88 Inch Bin Assembly
 Figure 1 (Sheet 1)

25-28-09

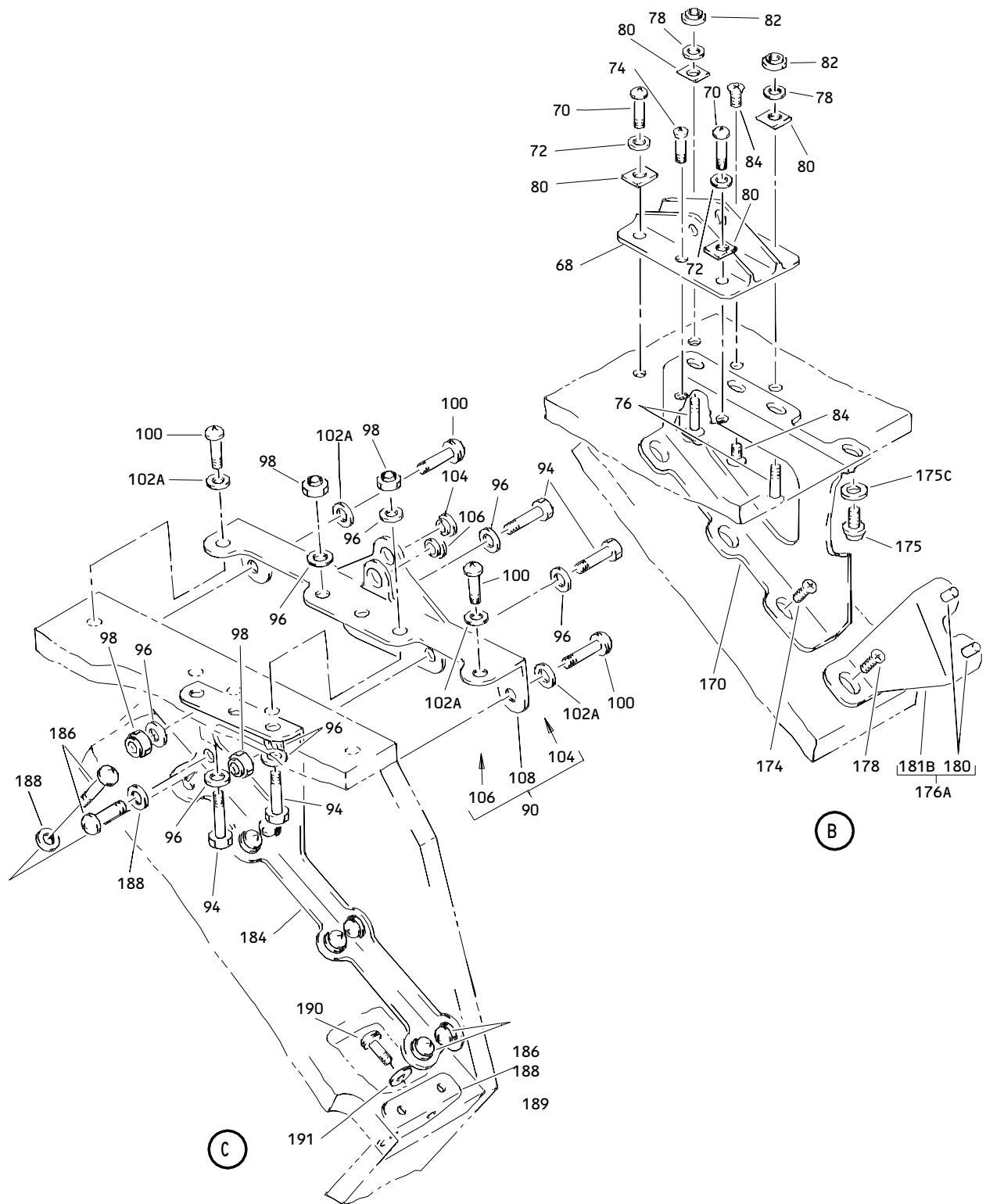
ILLUSTRATED PARTS LIST
 01.1 Page 1070P
 Apr 01/91



Outboard Overhead Stowage 88 Inch Bin Assembly
Figure 1 (Sheet 2)

25-28-09

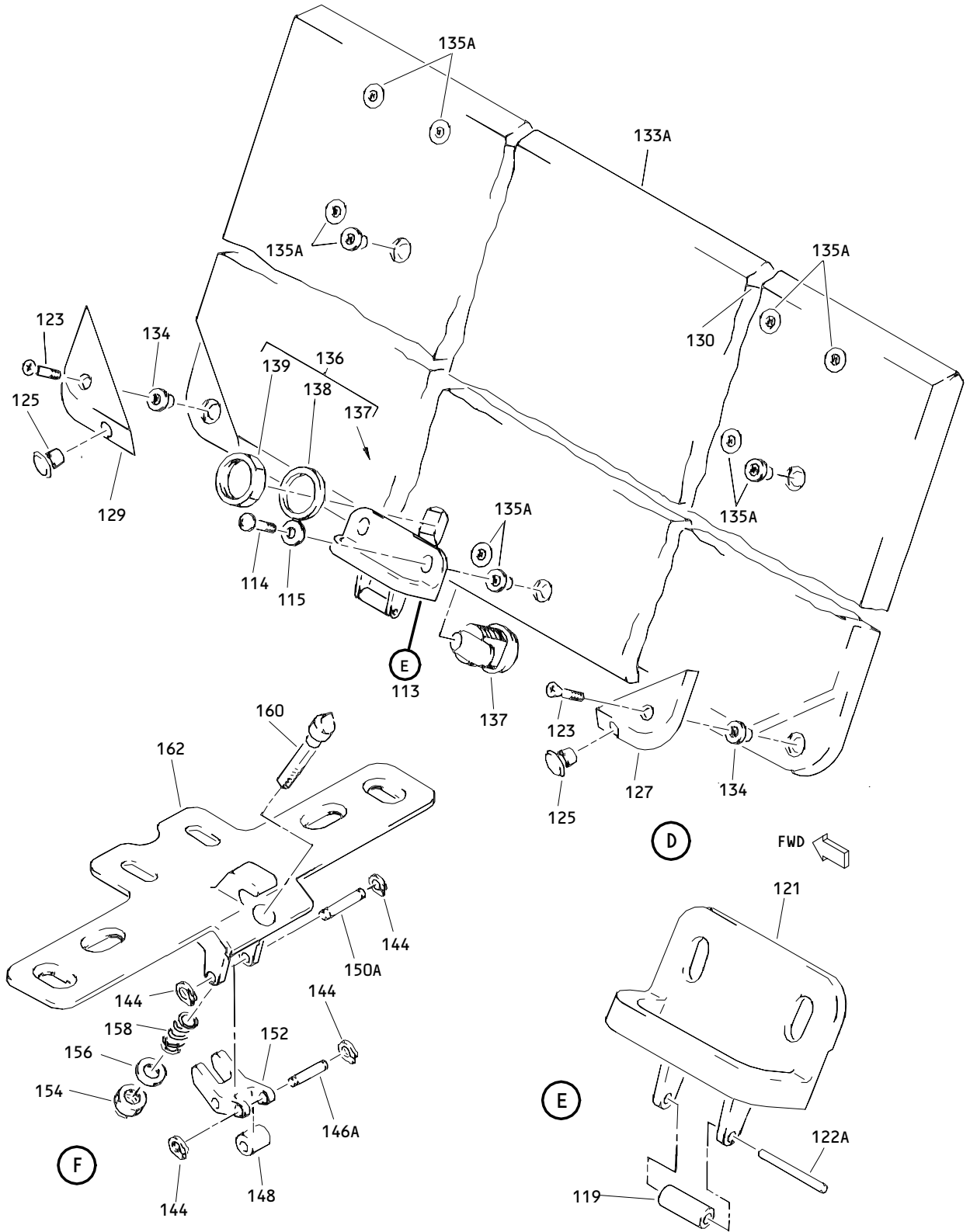
ILLUSTRATED PARTS LIST
01.1 Page 1070Q
Apr 01/91



Outboard Overhead Storage 88 Inch Bin Assembly
 Figure 1 (Sheet 3)

25-28-09

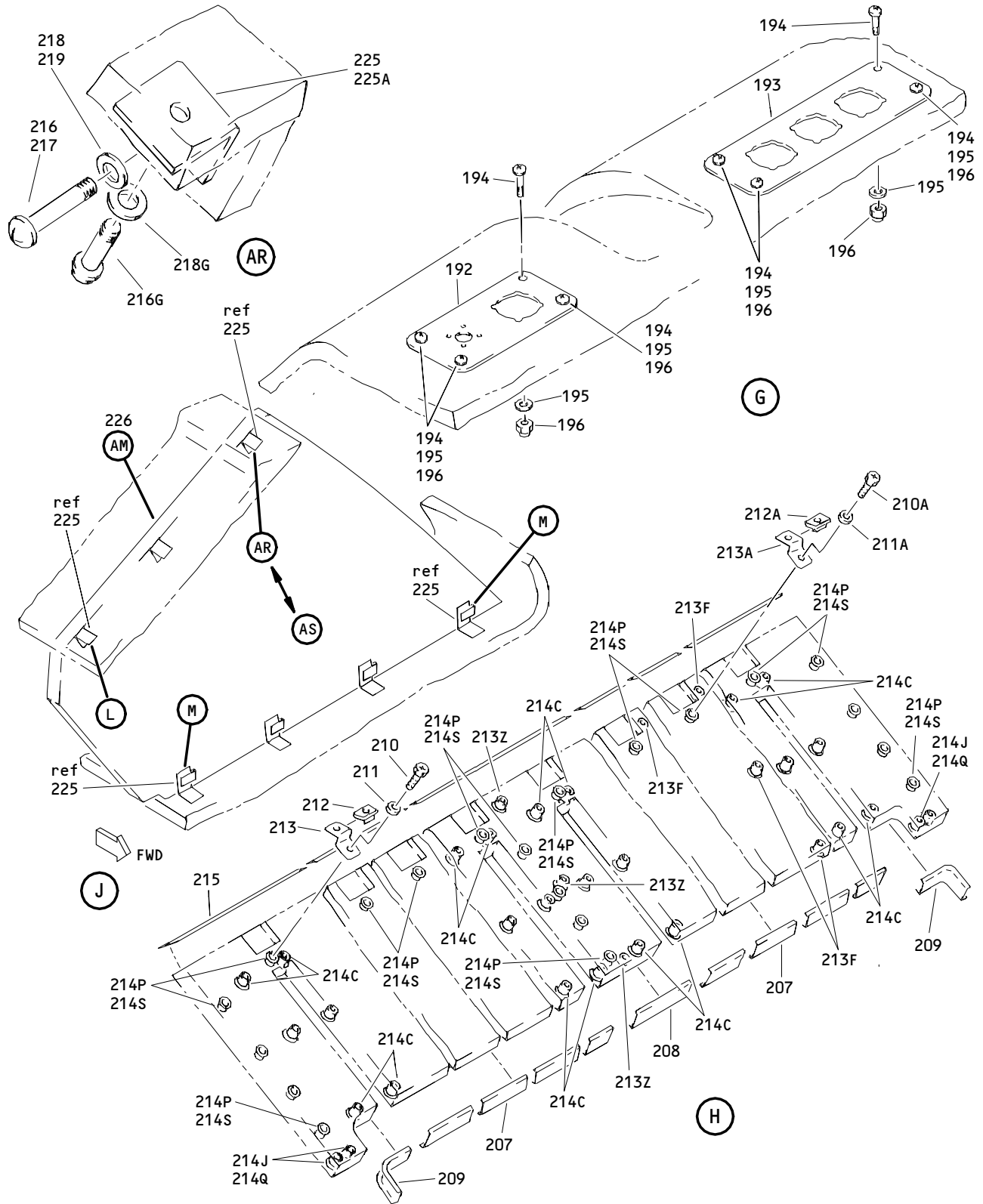
ILLUSTRATED PARTS LIST
 01.1 Page 1070R
 Apr 01/91



Outboard Overhead Stowage 88 Inch Bin Assembly
Figure 1 (Sheet 4)

25-28-09

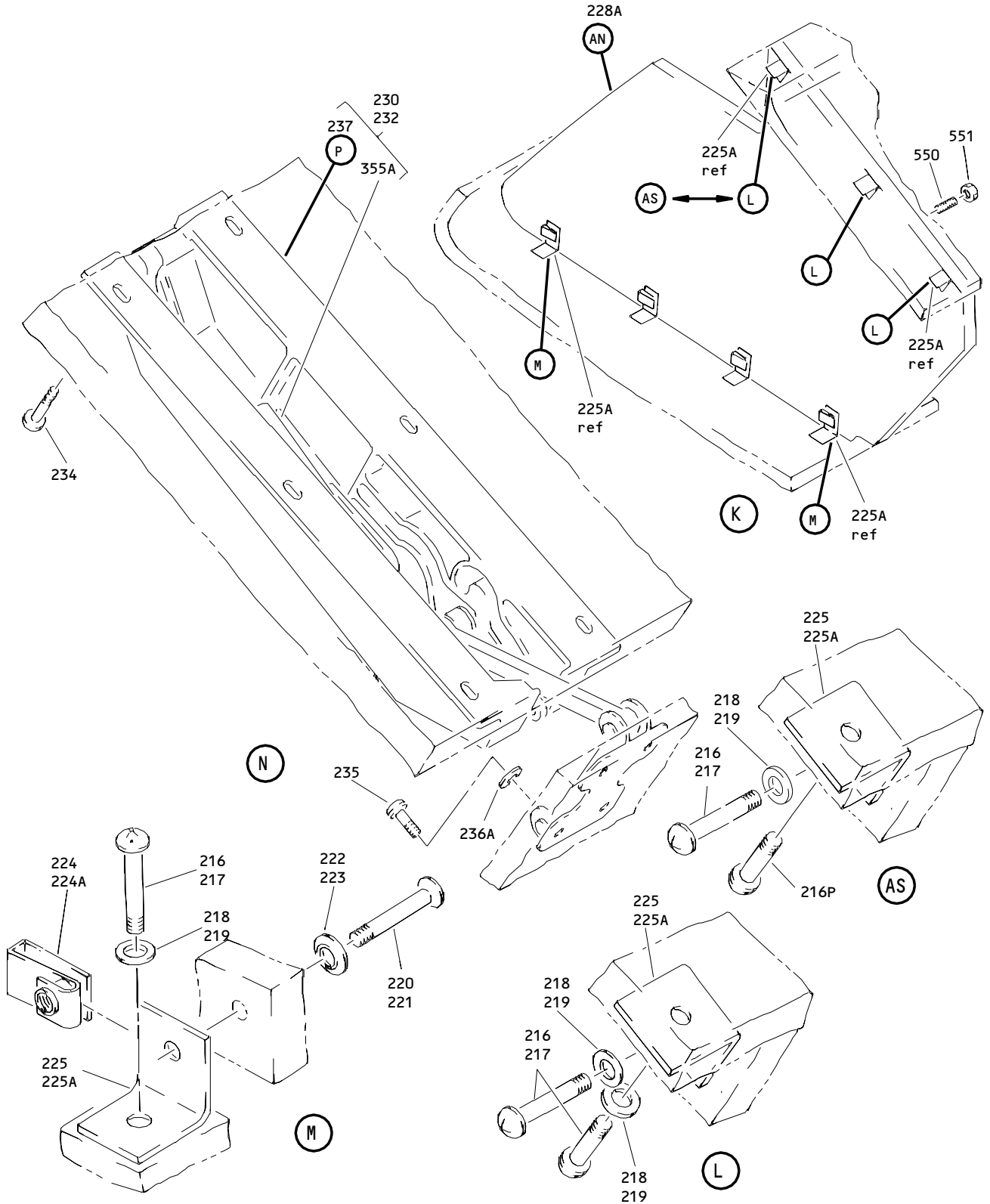
ILLUSTRATED PARTS LIST
01.1 Page 1070S
Apr 01/91



Outboard Overhead Stowage 88 Inch Bin Assembly
 Figure 1 (Sheet 5)

25-28-09

ILLUSTRATED PARTS LIST
 01.1 Page 1070T
 Apr 01/91

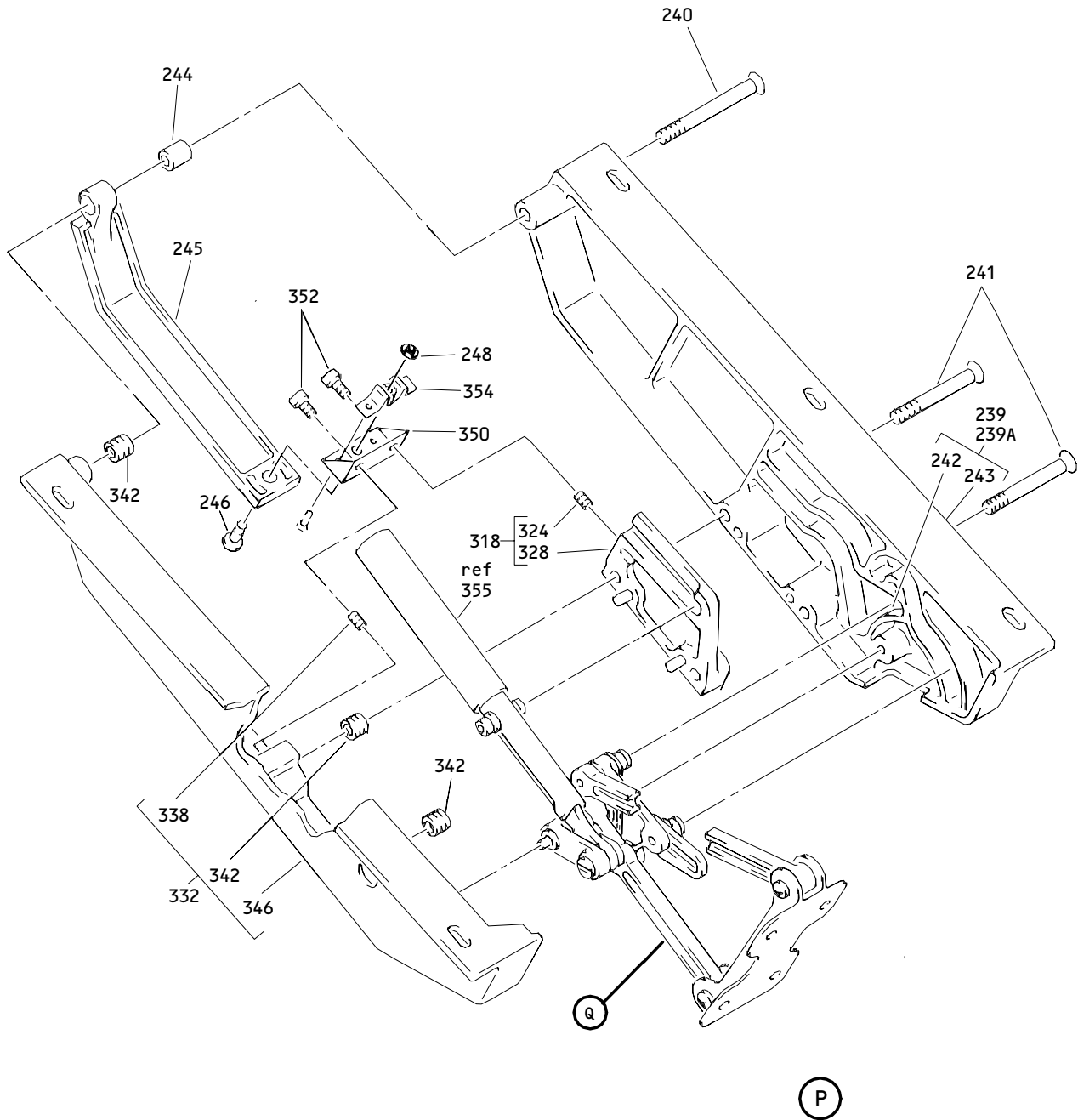


Outboard Overhead Storage 88 Inch Bin Assembly
Figure 1 (Sheet 6)

25-28-09

ILLUSTRATED PARTS LIST
01.1 Page 1070U
Apr 01/91

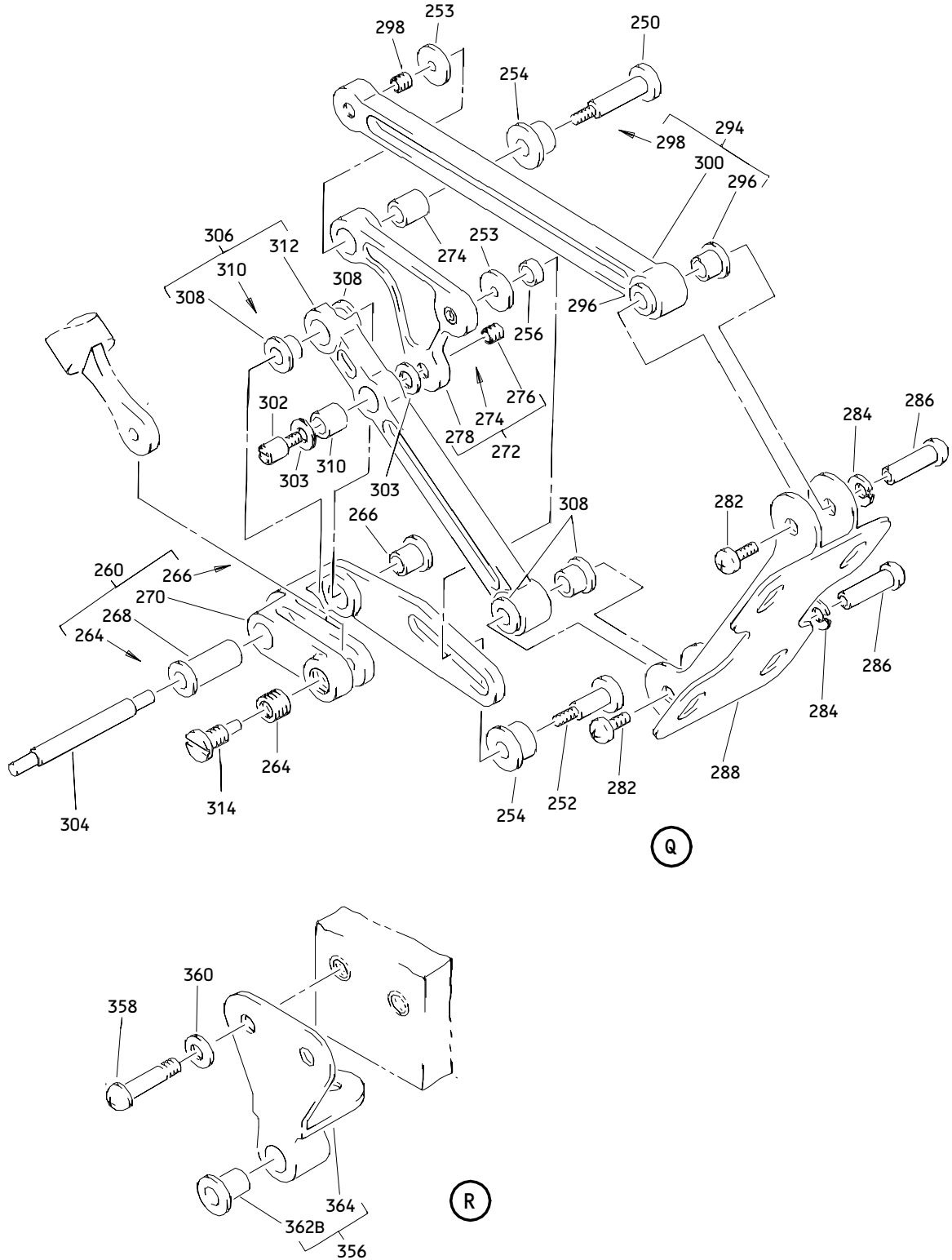
U15277



Outboard Overhead Stowage 88 Inch Bin Assembly
Figure 1 (Sheet 7)

25-28-09

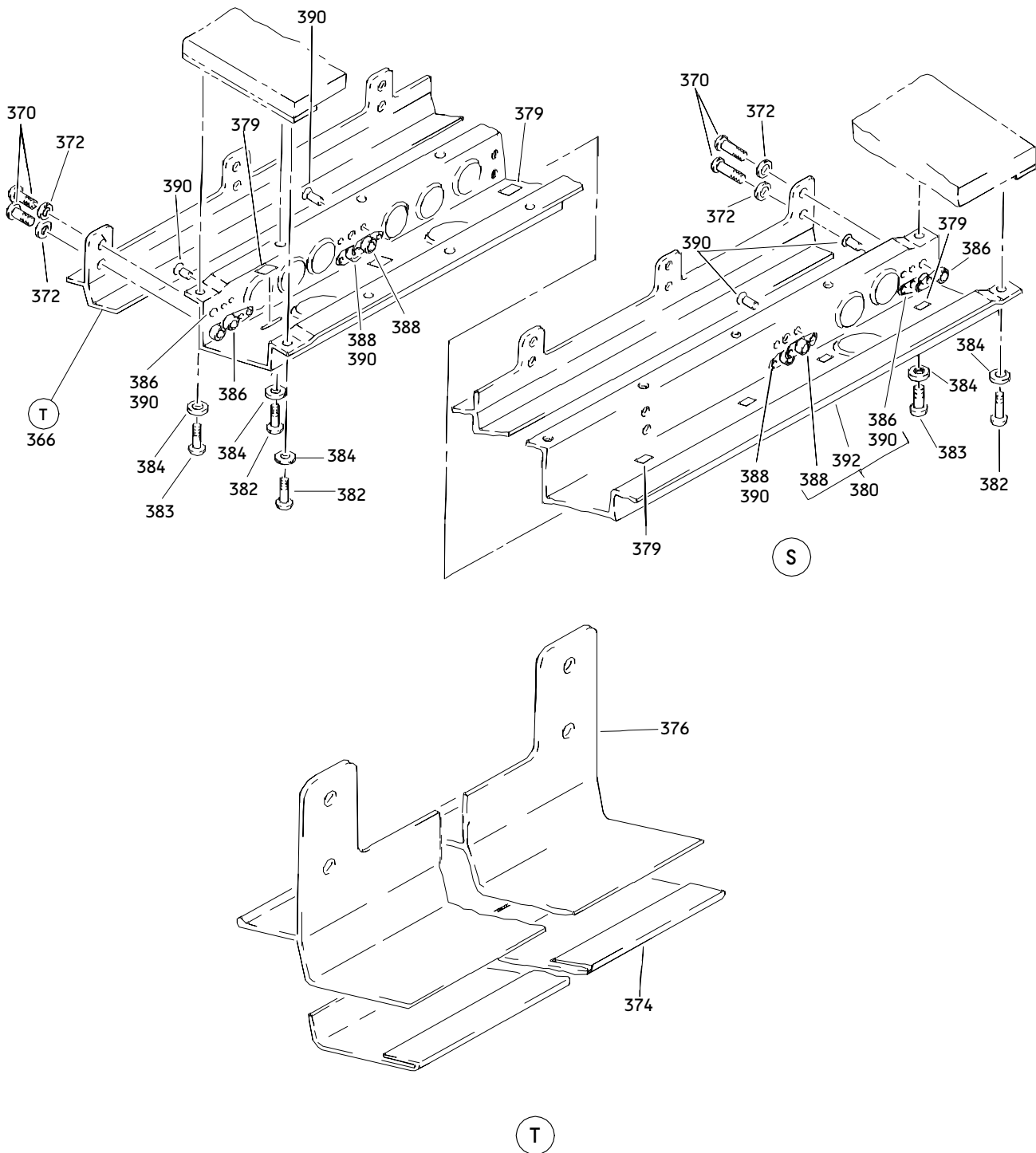
ILLUSTRATED PARTS LIST
01.1 Page 1070V
Apr 01/91



Outboard Overhead Stowage 88 Inch Bin Assembly
Figure 1 (Sheet 8)

25-28-09

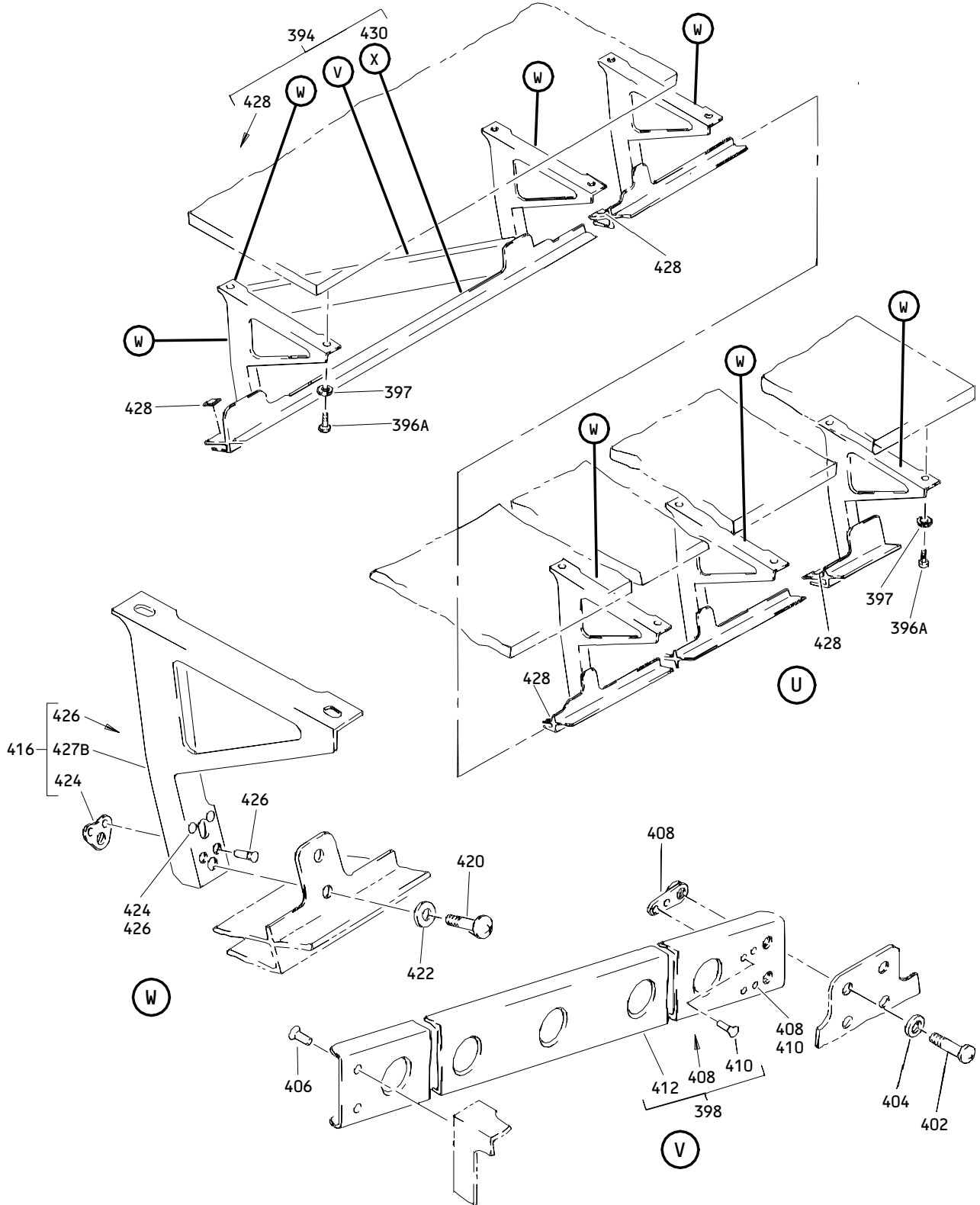
ILLUSTRATED PARTS LIST
01.1 Page 1070W
Apr 01/91



Outboard Overhead Stowage 88 Inch Bin Assembly
 Figure 1 (Sheet 9)

25-28-09

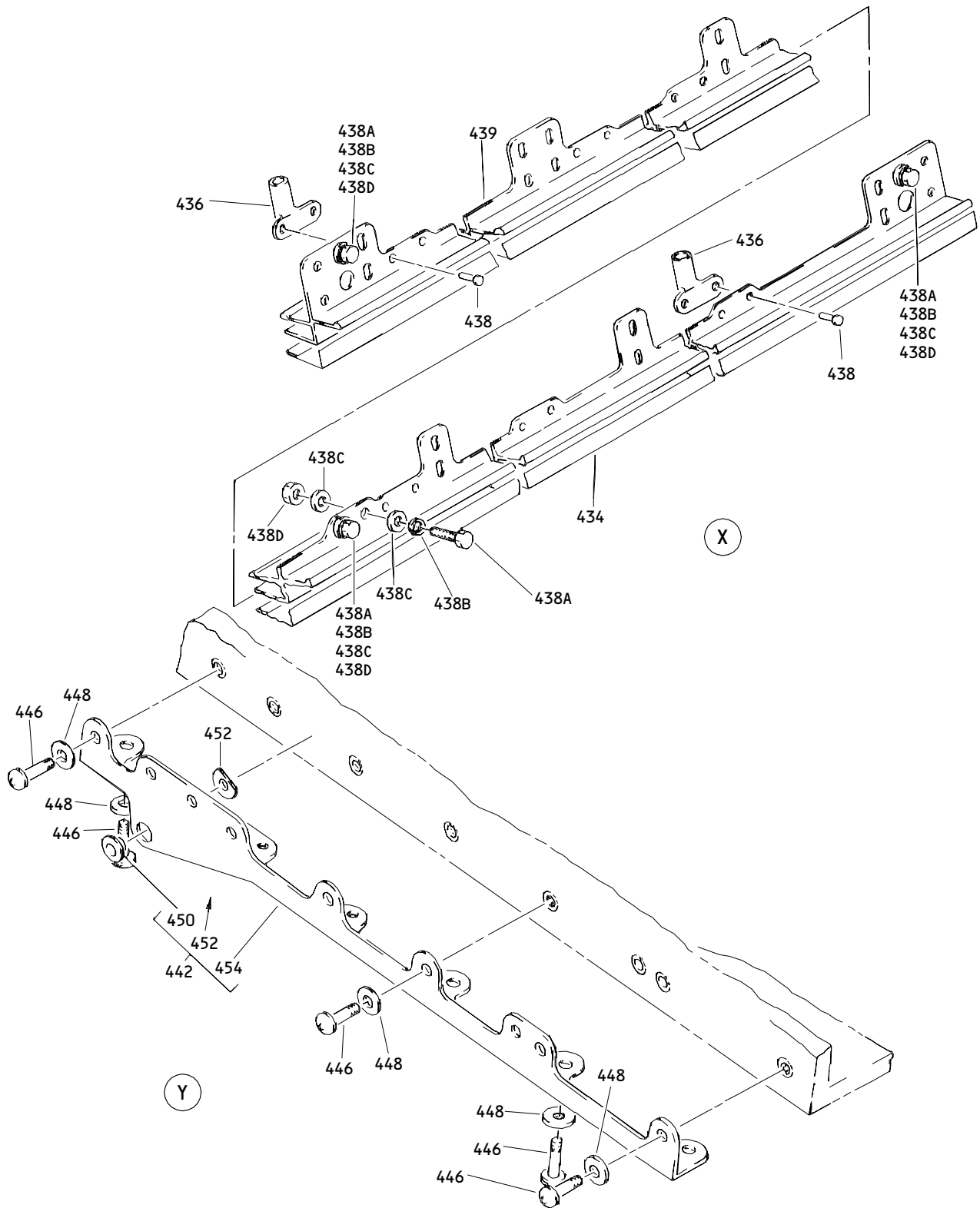
ILLUSTRATED PARTS LIST
 01.1 Page 1070X
 Apr 01/91



Outboard Overhead Storage 88 Inch Bin Assembly
Figure 1 (Sheet 10)

25-28-09

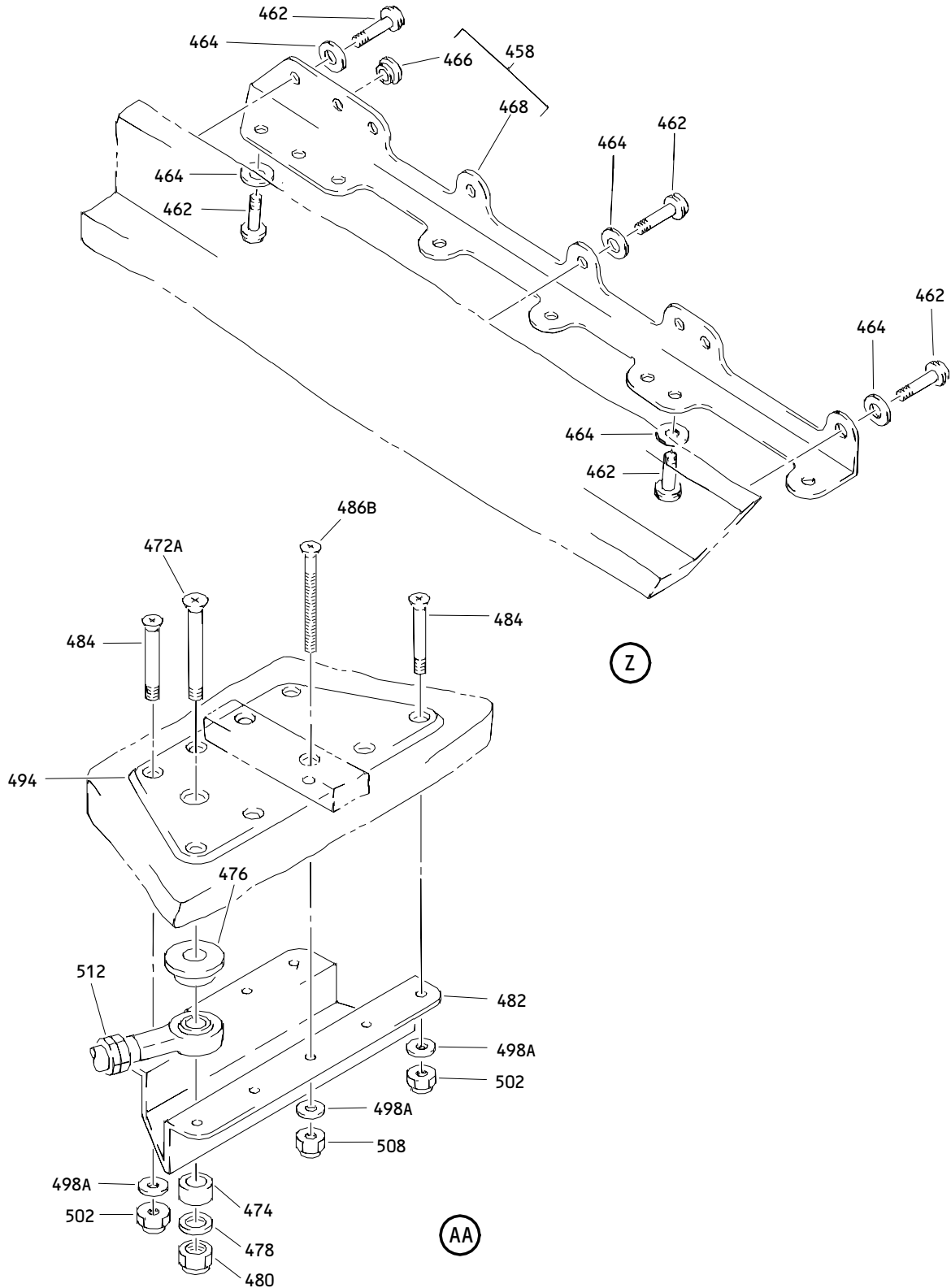
ILLUSTRATED PARTS LIST
01.1 Page 1070Y
Apr 01/91



Outboard Overhead Storage 88 Inch Bin Assembly
 Figure 1 (Sheet 11)

25-28-09

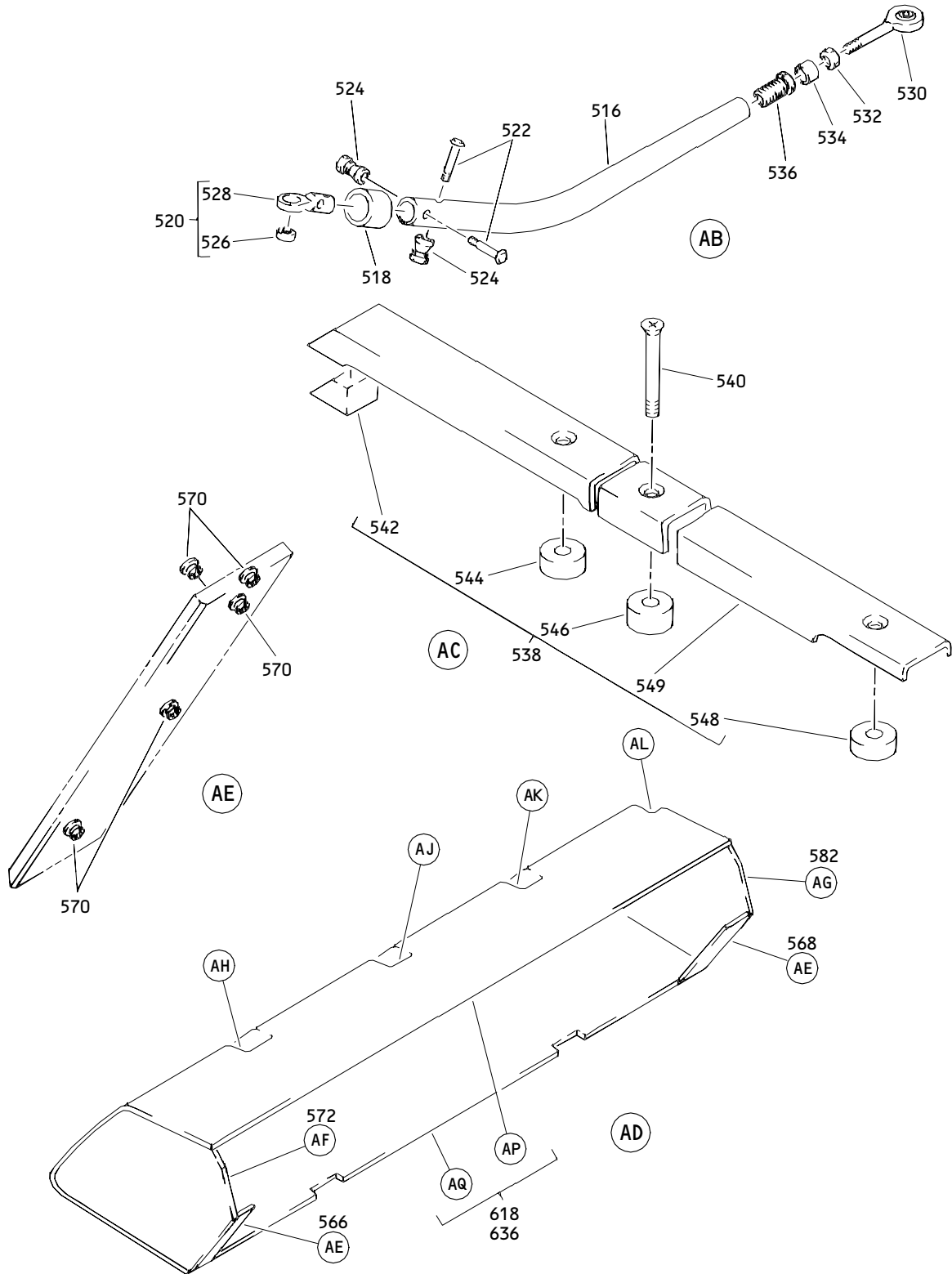
ILLUSTRATED PARTS LIST
 01.1 Page 1070Z
 Apr 01/91



Outboard Overhead Stowage 88 Inch Bin Assembly
Figure 1 (Sheet 12)

25-28-09

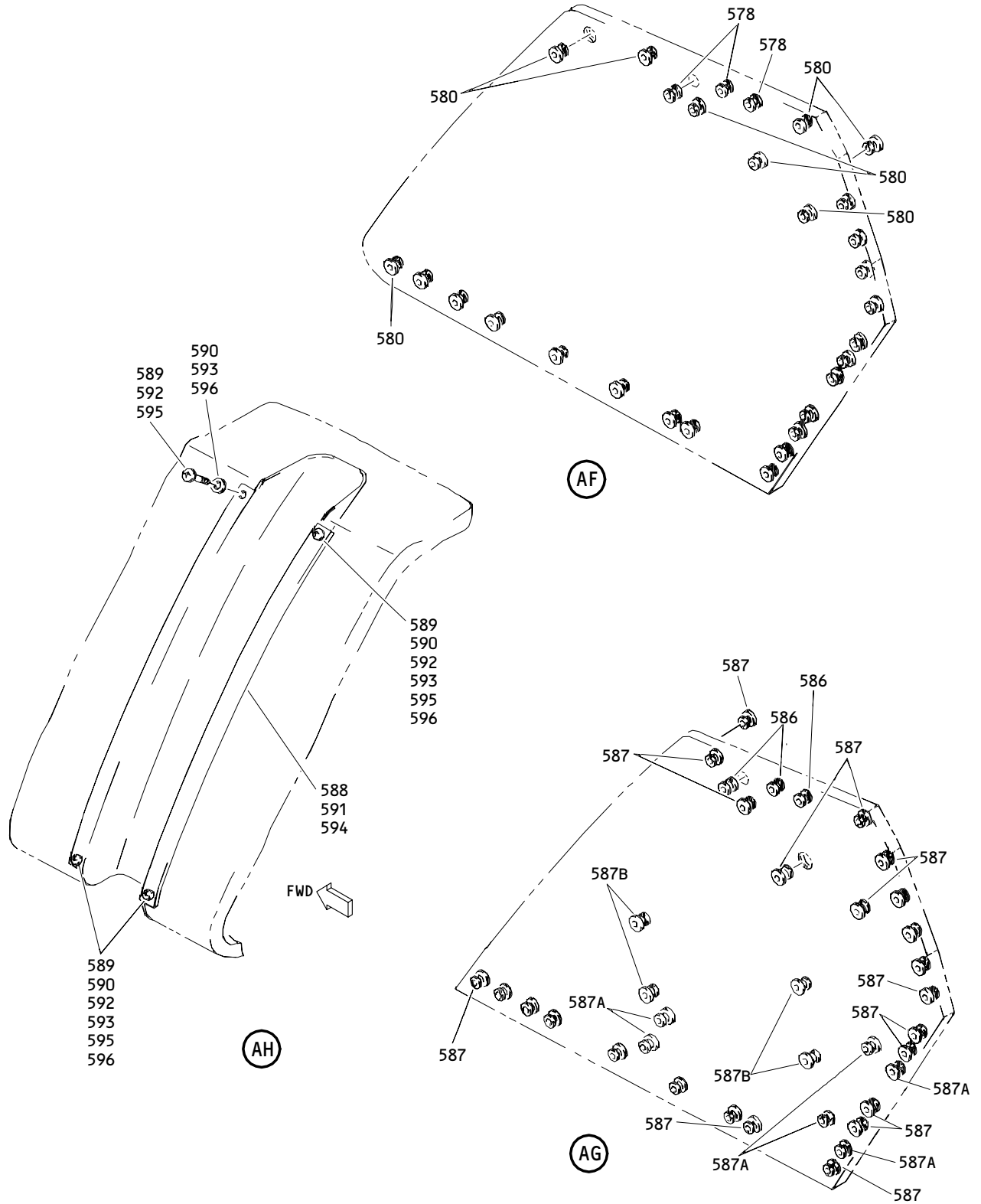
ILLUSTRATED PARTS LIST
01.1 Page 1071
Apr 01/91



Outboard Overhead Storage 88 Inch Bin Assembly
 Figure 1 (Sheet 13)

25-28-09

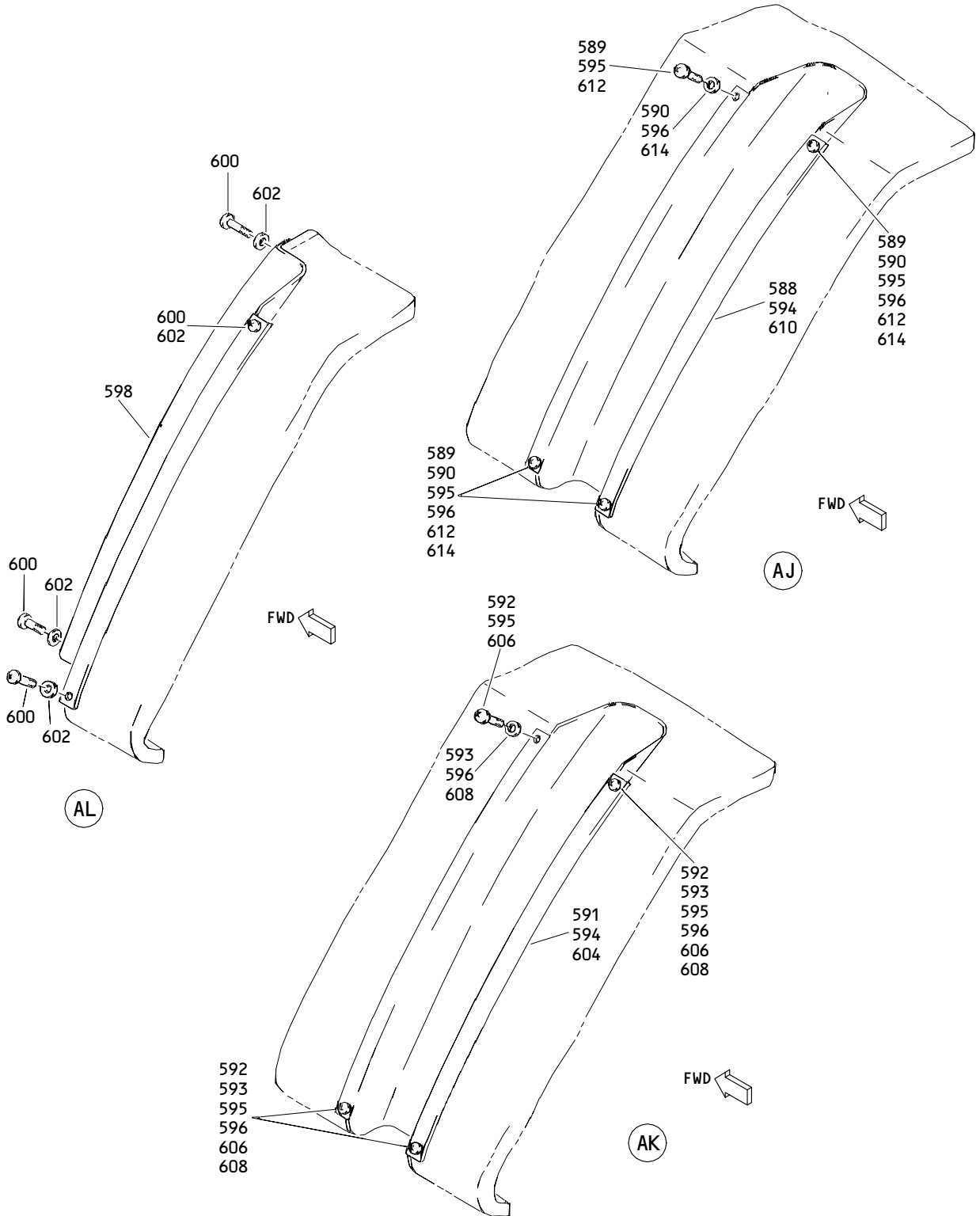
ILLUSTRATED PARTS LIST
 01.1 Page 1072
 Apr 01/91



Outboard Overhead Stowage 88 Inch Bin Assembly
 Figure 1 (Sheet 14)

25-28-09

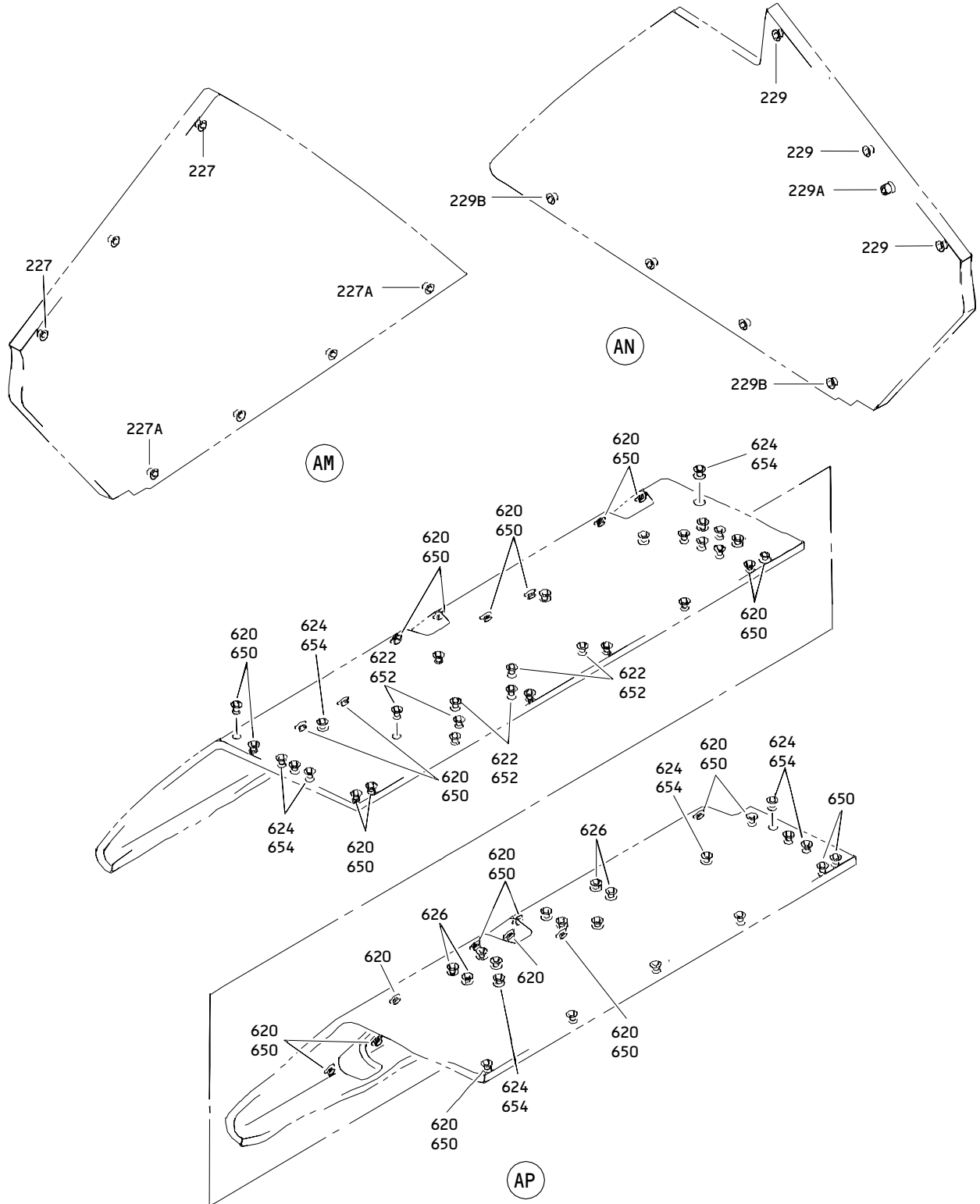
ILLUSTRATED PARTS LIST
 01.1 Page 1072A
 Apr 01/91



Outboard Overhead Stowage 88 Inch Bin Assembly
 Figure 1 (Sheet 15)

25-28-09

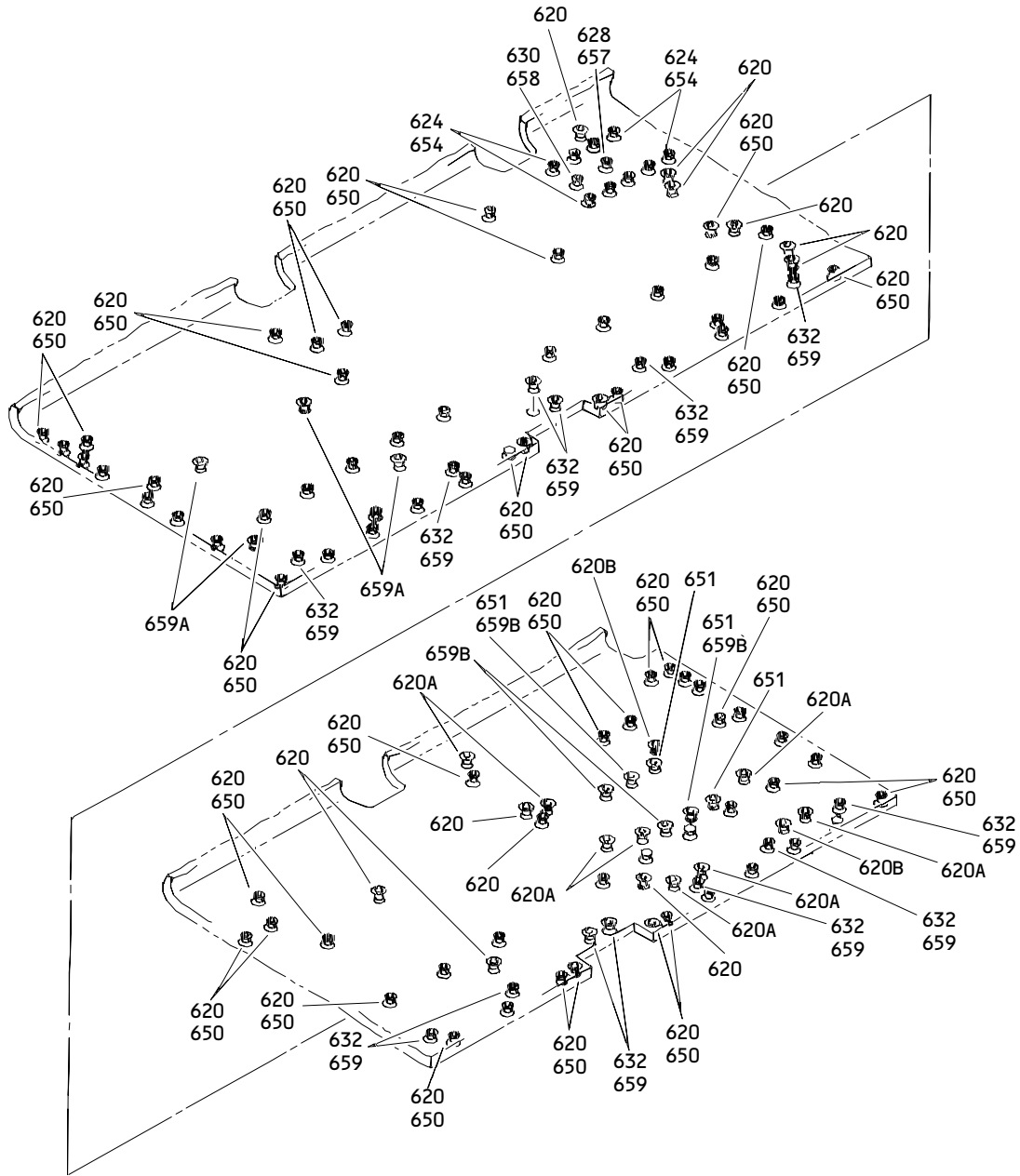
ILLUSTRATED PARTS LIST
 01.1 Page 1072B
 Apr 01/91



Outboard Overhead Stowage 88 Inch Bin Assembly
Figure 1 (Sheet 16)

25-28-09

ILLUSTRATED PARTS LIST
01.1 Page 1072C
Apr 01/91



AQ

Outboard Overhead Stowage 88 Inch Bin Assembly
Figure 1 (Sheet 17)

25-28-09

ILLUSTRATED PARTS LIST
01.1 Page 1072D
Apr 01/91

FIG. & ITEM	PART NO.	AIRLINE PART NUMBER	NOMENCLATURE 1234567	EFF CODE	QTY PER ASSY
1-					
-1	413T1002-41SP		BIN ASSY-OUTBD OVERHEAD STOWAGE STD (LH)	A	RF
-1A	413T1002-43SP		BIN ASSY-OUTBD OVERHEAD STOWAGE (LH)	B	RF
-1B	413T1002-45SP		BIN ASSY-OUTBD OVERHEAD STOWAGE (LH)	C	RF
-1C	413T1002-49SP		BIN ASSY-OUTBD OVERHEAD STOWAGE (LH)	D	RF
-1D	413T1002-51SP		BIN ASSY-OUTBD OVERHEAD STOWAGE (LH)	E	RF
-1E	413T1002-55SP		BIN ASSY-OUTBD OVERHEAD STOWAGE (LH)	F	RF
-1F	413T1002-73SP		BIN ASSY-OUTBD OVERHEAD STOWAGE (LH)	G	RF
-1G	413T1002-75SP		BIN ASSY-OUTBD OVERHEAD STOWAGE (LH)	H	RF
-1H	413T1002-53SP		BIN ASSY-OUTBD OVERHEAD STOWAGE (LH)	J	RF
-5	413T1002-42SP		BIN ASSY-OUTBD OVERHEAD STOWAGE STD (RH)	K	RF
-5A	413T1002-44SP		BIN ASSY-OUTBD OVERHEAD STOWAGE (RH)	L	RF
-5B	413T1002-46SP		BIN ASSY-OUTBD OVERHEAD STOWAGE (RH)	M	RF
-5C	413T1002-50SP		BIN ASSY-OUTBD OVERHEAD STOWAGE STD (RH)	N	RF
-5E	413T1002-76SP		BIN ASSY-OUTBD OVERHEAD STOWAGE (RH)	P	RF
46	412T3108-1		.FITTING ASSY	A-J	1
-48	412T3108-2		.FITTING ASSY	K-P	1
			ATTACHING PARTS		
50	NAS623-3-1		.SCREW	A-P	6
52	NAS620A10L		.WASHER	A-P	6
54	NAS6603-9		.BOLT	A-P	6
56	AN960PD10L		.WASHER	A-P	12

25-28-09

FIG. & ITEM	PART NO.	AIRLINE PART NUMBER	NOMENCLATURE 1234567	EFF CODE	QTY PER ASSY
1-58	H10-3BAC		.NUT- (V15653) (SPEC BACN10JC3) (OPT NS202101-02 (V80539)) (OPT RMLH9075-3W (V72962)) (OPT T6S1032J (V71087)) (OPT VN303A02 (V92215)) (OPT 96-02 (V80539)) (OPT BRH10A3 (V52828)) -----*-----	A-P	6
60	412T3108-17		..DOUBLER	A-P	1
62	BACB28AR06A024A		DELETED		
62A	BACB28X6M024		..BUSHING- (V23294) (SPEC BACB28X6M024) (OPT BACB28X6M024 (V70265)) (OPT BACB28X6M024 (V94892))	A-P	2
64	412T3108-7		..FITTING	A-J	1
-66	412T3108-8		..FITTING	K-P	1
68	412T2013-4		.FITTING ATTACHING PARTS	A-P	1
70	NAS623-3-2		.SCREW	A-P	2
72	NAS620A10L		.WASHER	A-P	2
74	NAS514P1032-5		.SCREW	A-P	1

25-28-09

 ILLUSTRATED PARTS LIST
 01.1 Page 1072F
 Apr 01/91

FIG. & ITEM	PART NO.	AIRLINE PART NUMBER	NOMENCLATURE 1234567	EFF CODE	QTY PER ASSY
1-76	BACB30LU3-10		.BOLT- (V06710) (SPEC BACB30LU3-10) (OPT BACB30LU3-10 (V06725)) (OPT BACB30LU3-10 (V06950)) (OPT BACB30LU3-10 (V17943)) (OPT BACB30LU3-10 (V27624)) (OPT BACB30LU3-10 (V56878)) (OPT BACB30LU3-10 (V80539)) (OPT BACB30LU3-10 (V85495)) (OPT BACB30LU3-10 (V92215)) (OPT BACB30LU3-10 (V97928))	A-P	2
78	NAS620A10L		.WASHER	A-P	2
80	413T1002-19		.FILLER	A-P	4
82	H10-3BAC		.NUT- (V15653) (SPEC BACN10JC3) (OPT NS202101-02 (V80539)) (OPT RMLH9075-3W (V72962)) (OPT T6S1032J (V71087)) (OPT VN303A02 (V92215)) (OPT 96-02 (V80539)) (OPT BRH10A3 (V52828))	A-P	2
84	NAS514P1032-4		.SCREW -----*	A-P	2
90	412T3108-5		.FITTING ASSY	A-J	1
-92	412T3108-6		.FITTING ASSY ATTACHING PARTS	K-P	1
94	NAS6603-9		.BOLT	A-P	6
96	AN960PD10L		.WASHER	A-P	12

25-28-09

FIG. & ITEM	PART NO.	AIRLINE PART NUMBER	NOMENCLATURE 1234567	EFF CODE	QTY PER ASSY
1-98	H10-3BAC		.NUT- (V15653) (SPEC BACN10JC3) (OPT NS202101-02 (V80539)) (OPT RMLH9075-3W (V72962)) (OPT T6S1032J (V71087)) (OPT VN303A02 (V92215)) (OPT 96-02 (V80539)) (OPT BRH10A3 (V52828))	A-P	6
100	NAS623-3-1		.SCREW	A-P	4
102A	NAS620A10L		.WASHER	A-P	4
			-----*		
104	BACB28X4C009		..BUSHING- (V23294) (SPEC BACB28X4C009) (OPT BACB28X4C009 (V70265)) (OPT BACB28X4C009 (V94892))	A-P	1
106	BACB28X4C024		..BUSHING- (V23294) (SPEC BACB28X4C024) (OPT BACB28X4C024 (V70265)) (OPT BACB28X4C024 (V94892))	A-P	1
108	412T3108-11		..FITTING	A-J	1
-110	412T3108-12		..FITTING	K-P	1
111	413T1007-63SP		.DOOR ASSY- (OPT ITEM 111A)	A-P	1
-111A	413T1007-83SP		.DOOR ASSY- (OPT ITEM 111)	A-P	1
-112A	413T1007-63SP		.DOOR ASSY- (OPT ITEM 112C)	A-H, K-P	1
-112C	413T1007-83SP		.DOOR ASSY- (OPT ITEM 112A)	A-H, K-P	1
112D	413T1007-94SP		.DOOR ASSY- (OPT ITEM 112E)	J	1

25-28-09

 ILLUSTRATED PARTS LIST
 01.1 Page 1072H
 Apr 01/91

FIG. & ITEM	PART NO.	AIRLINE PART NUMBER	NOMENCLATURE 1234567	EFF CODE	QTY PER ASSY
1- -112E	413T1007-95SP		.DOOR ASSY- (OPT ITEM 112D)	J	1
113	413T1028-4		..STRIKE ASSY- (OPT ITEM 113A)	A-P	1
-113A	413T1028-5		..STRIKE ASSY- (OPT ITEM 113) ATTACHING PARTS	A-P	1
114	NAS623-3-1W		..SCREW	A-P 002,0 02	2
115	AN960PD10L		..WASHER	A-P 002,0 02	2
119	413T1093-3		-----*----- ...ROLLER- (USED ON ITEM 113)	A-P 001,0 01	1
-119A	NAS1056C3-056		...ROLLER- (USED ON ITEM 113A)	A-P	1
120	MS51859-1		...BUSHING- (USED ON ITEM 113A)	A-P	2
121	413T1028-2		...STRIKE	A-P 001,0 01	1
122A	MS20253-2-083		...PIN-HINGE	A-P 001,0 01	1
122J	413T1132-1		..SHIM- (USED ON ITEMS 111, 112A)	A-P 001,0 01	1

25-28-09

FIG. & ITEM	PART NO.	AIRLINE PART NUMBER	NOMENCLATURE 1234567	EFF CODE	QTY PER ASSY
1- 123	NAS514P1032-6		..SCREW	A-P 002,0 02	2
125	413T1010-1		..BUMPER	A-P 002,0 02	2
127	413T1118-3		..COVER	A-P 001,0 01	1
129	413T1118-4		..COVER	A-P 001,0 01	1
130	BMS8-133		..EDGING	A-P 001,0 01	1
133A	413T1007-10SP		..COVER-DECORATIVE	A-P 001,0 01	1
134	SL618-3A		..INSERT- (V97393)	A-P 002,0 02	2
135A	NAS1836-3-11		..INSERT	A-P 010,0 10	10
136 136A	A2071-2 A2077-2		DELETED ..CYLINDER-LOCK (V52607) (ITEM 137, ITEM 138, ITEM 139 AND ITEM 136A IS OPTIONAL TO ITEM 141)	J	1

25-28-09

 ILLUSTRATED PARTS LIST
 01.1 Page 1072J
 Apr 01/91

FIG. & ITEM	PART NO.	AIRLINE PART NUMBER	NOMENCLATURE 1234567	EFF CODE	QTY PER ASSY
1- 136J 137	30011 AR15T2		DELETED ..CYLINDER-LOCK (V80477) (ITEM 137, ITEM 138, ITEM 139 AND ITEM 136A IS OPTIONAL TO ITEM 141)	J	1
138	AR11		..WASHER-CYL (V80477) (ITEM 137, ITEM 138, ITEM 139 AND ITEM 136A IS OPTIONAL TO ITEM 141)	J	1
139	AR292		..NUT-CYL (V80477) (ITEM 137, ITEM 138, ITEM 139 AND ITEM 136A IS OPTIONAL TO ITEM 141)	J	1
140 -141	413T1024-2 A2077-5		.LATCH ASSY ..CYLINDER-LOCK (V52607) (ITEM 137, ITEM 138, ITEM 139 AND ITEM 136A IS OPTIONAL TO ITEM 141)	A-P J	2 1
142	NAS514P1032-5		ATTACHING PARTS .SCREW -----*	A-P	4
144	MS16624-5012		..RING	A-P 004,0 04	4
146A	413T1090-3		..PIN	A-P 001,0 01	1
148	413T1093-2		..ROLLER	A-P 001,0 01	1
150A	413T1090-1		..PIN	A-P 001,0 01	1

25-28-09

FIG. & ITEM	PART NO.	AIRLINE PART NUMBER	NOMENCLATURE 1234567	EFF CODE	QTY PER ASSY
1-152	413T1091-1		..ARM	A-P 001,0 01	1
154	H10-08BAC		..NUT- (V15653) (SPEC BACN10JC08) (OPT NS202101-82 (V80539)) (OPT RMLH9075-82W (V72962)) (OPT T6S832J (V71087)) (OPT VN303A82 (V92215)) (OPT 96-82 (V80539)) (OPT BRH10A08 (V52828)) (OPT T6S832J (V11815))	A-P 001,0 01	1
156	AN960C8		..WASHER	A-P 001,0 01	1
158	MS24585C93		..SPRING	A-P 001,0 01	1
160	413T1092-2		..BOLT	A-P 001,0 01	1
162	413T1030-3		..BODY	A-P 001,0 01	1
164	413T1014-1		.BRACKET ATTACHING PARTS	A-P	1
166	NAS623-3-1		.SCREW	A-P	8
168	NAS620A10L		.WASHER -----*	A-P	8
170	413T1015-11		.BRACKET	A-J	1
-172	413T1015-12		.BRACKET ATTACHING PARTS	K-P	1
174	NAS514P1032-5		.SCREW	A-P	3
175	NAS623-3-1		.SCREW	A-P	1
175C	NAS620A10L		.WASHER -----*	A-P	1

25-28-09

 ILLUSTRATED PARTS LIST
 01.1 Page 1072L
 Apr 01/91

BOEING
COMPONENT
MAINTENANCE MANUAL

FIG. & ITEM	PART NO.	AIRLINE PART NUMBER	NOMENCLATURE 1234567	EFF CODE	QTY PER ASSY
1-					
176A	413T1015-21		.BRACKET ASSY	A-J	1
-177A	413T1015-22		.BRACKET ASSY	K-P	1
			ATTACHING PARTS		
178	NAS514P1032-5		.SCREW	A-P	1
			-----*		
180	SL6161-08-4		..STUD-	A-J	2
			(V97393)		
181B	413T1015-23		..BRACKET	A-J	1
-181C	413T1015-24		..BRACKET	K-P	1
184	413T1014-2		.BRACKET	A-P	1
			ATTACHING PARTS		
186	NAS623-3-1		.SCREW	A-P	8
188	NAS620A10L		.WASHER	A-P	8
			-----*		
189	413T1014-3		.BRACKET	A-P	2
			ATTACHING PARTS		
190	NAS603-4P		.SCREW	A-P	4
191	NAS620A10L		.WASHER	A-P	4
			-----*		
192	287T4150-11		.PLATE-DISC.	F,J	1
193	287T4150-10		.PLATE-DISC.	F,J	1
			ATTACHING PARTS		
194	NAS623-3-7		.SCREW	F,J	8
195	AN960PD10L		.WASHER	F,J	8
196	H10-3BAC		.NUT-	F,J	8
			(V15653)		
			(SPEC BACN10JC3)		
			(OPT NS202101-02		
			(V80539))		
			(OPT RMLH9075-3W		
			(V72962))		
			(OPT T6S1032J		
			(V71087))		
			(OPT VN303A02		
			(V92215))		
			(OPT 96-02		
			(V80539))		
			(OPT BRH10A3		
			(V52828))		
			-----*		

25-28-09

ILLUSTRATED PARTS LIST
01.1 Page 1072M
Apr 01/91

FIG. & ITEM	PART NO.	AIRLINE PART NUMBER	NOMENCLATURE 1234567	EFF CODE	QTY PER ASSY
1-197	413T1013-37		.PANEL ASSY-HINGE (OPT ITEMS 197A, 197C)	A-C,G ,H	1
-197A	413T1013-201		.PANEL ASSY-HINGE (OPT ITEMS 197, 197C)	A-C,G ,H	1
-197B	413T1013-201		.PANEL ASSY-HINGE (OPT ITEM 197D)	D,E	1
-197C	413T1136-1		.PANEL ASSY-HINGE (OPT ITEMS 197, 197A)	A-C,G ,H	1
-197D	413T1136-1		.PANEL ASSY-HINGE (OPT ITEM 197B)	D,E	1
-198	413T1013-38		.PANEL ASSY-HINGE (OPT ITEMS 198A, 198C)	K-M,P	1
-198A	413T1013-202		.PANEL ASSY-HINGE (OPT ITEMS 198, 198C)	K-M,P	1
-198B	413T1013-202		.PANEL ASSY-HINGE (OPT ITEM 198D)	N	1
-198C	413T1136-2		.PANEL ASSY-HINGE (OPT ITEMS 198, 198A)	K-M,P	1
-198D	413T1136-2		.PANEL ASSY-HINGE (OPT ITEM 198C)	N	1
200B	413T1013-334		.PANEL ASSY-HINGE (OPT ITEMS 200C, 200D)	F	1
-200C	413T1013-333		.PANEL ASSY-HINGE (OPT ITEMS 200B, 200D)	F	1
-200D	413T1136-5		.PANEL ASSY-HINGE (OPT ITEMS 200B, 200C)	F	1
201	413T1013-217		.PANEL ASSY-HINGE (OPT ITEM 201A)	J	1
-201A	413T1136-3		.PANEL ASSY-HINGE (OPT ITEM 201) ATTACHING PARTS	J	1

25-28-09

 ILLUSTRATED PARTS LIST
 01.1 Page 1072N
 Apr 01/91



BOEING
COMPONENT
MAINTENANCE MANUAL

FIG. & ITEM	PART NO.	AIRLINE PART NUMBER	NOMENCLATURE 1234567	EFF CODE	QTY PER ASSY
1-					
202	NAS623-3-7		.SCREW	A-P	8
204	AN960KD10L		.WASHER	A-P	8
			-----*		
207	413T1013-86		..TRIM-EDGE (USED ON ITEMS 197, 198, 200B)	A-C, F-H, K-M,P	2
-207A	413T1013-179		..TRIM-EDGE (USED ON ITEMS 197A, 197B, 198A, 198B, 200C, 201)	A-P	2
208	413T1013-85		..TRIM-EDGE (USED ON ITEMS 197, 198, 200B)	A-J	1
-208A	413T1013-180		..TRIM-EDGE (USED ON ITEMS 197A, 197B, 198A, 198B, 200C, 201)	A-P	1
209	413T1013-84		..TRIM-EDGE (USED ON ITEMS 197, 198, 200B)	A-C, F-H, K-M,P	2
-209A	413T1013-181		..TRIM-EDGE (USED ON ITEMS 197A, 197B, 198A, 198B, 200C, 201)	A-P	2
-209B	413T1136-61		..TRIM-EDGE (USED ON ITEMS 197C, 197D, 198C, 198D, 200D, 201A)	A-P	AR
210	NAS1801-3-5		..SCREW- (USED ON ITEMS 197A, 197B, 198A, 198B, 200C, 201, 197C, 197D, 198C, 198D, 200D, 201A)	A-P	7
210A	NAS1801-3-5		..SCREW- (USED ON ITEMS 197A, 197B, 198A, 198B, 201, 197C, 197D, 198C, 198D, 201A)	A-E, G-P	1

25-28-09

ILLUSTRATED PARTS LIST
01.1 Page 10720
Apr 01/91

FIG. & ITEM	PART NO.	AIRLINE PART NUMBER	NOMENCLATURE 1234567	EFF CODE	QTY PER ASSY
1- 211	BACW10P183AL		..WASHER- (V10630) (SPEC BACW10P183AL) (USED ON ITEMS 197A, 197B, 198A, 198B, 200C, 201, 197C, 197D, 198C, 198D, 200D, 201A)	A-P	7
211A	BACW10P183AL		..WASHER- (V10630) (SPEC BACW10P183AL) (USED ON ITEMS 197A, 197B, 198A, 198B, 201, 197C, 197D, 198C, 198D, 201A)	A-E, G-P	1
212	A11330-8-3		..NUT- (V72962) (SPEC BACN10FX21) (OPT BRC500-8-3 (V52828)) (OPT F49322-3-21 (V15653)) (OPT SL240-3-1 (V97393)) (OPT 130061 (V60119)) (USED ON ITEMS 197A, 197B, 198A, 198B, 200C, 201, 197C, 197D, 198C, 198D, 200D, 201A)	A-P	7
212A	A11330-8-3		..NUT- (V72962) (SPEC BACN10FX21) (OPT BRC500-8-3 (V52828)) (OPT F49322-3-21 (V15653)) (OPT SL240-3-1 (V97393)) (OPT 130061 (V60119)) (USED ON ITEMS 197A, 197B, 198A, 198B, 201, 197C, 197D, 198C, 198D, 201A)	A-E, G-P	1

25-28-09

 ILLUSTRATED PARTS LIST
 01.1 Page 1072P
 Apr 01/91

 **BOEING**
COMPONENT
MAINTENANCE MANUAL

FIG. & ITEM	PART NO.	AIRLINE PART NUMBER	NOMENCLATURE 1234567	EFF CODE	QTY PER ASSY
1- 213	413T1014-5		..SUPPORT- (USED ON ITEMS 197A, 197B, 198A, 198B, 200C, 201, 197C, 197D, 198C, 198D, 200D, 201A)	A-P	7
213A	413T1014-5		..SUPPORT- (USED ON ITEMS 197A, 197B, 198A, 198B, 201, 197C, 197D, 198C, 198D, 201A)	A-E, G-P	1
213F	NAS1836-3-11		..INSERT- (USED ON ITEMS 200B, 200C)	F	4
-213G	NAS1836-3-09		..INSERT- (USED ON ITEM 200D)	F	4
213Z	NAS1836-3-09		..INSERT- (USED ON ITEMS 200D, 201A)	F,J	3
-214B	NAS1836-3-11		..INSERT- (USED ON ITEMS 200B, 200C, 201)	F,J	3
214C	SL618-3A		..INSERT- (V97393)	A-P	24
214J	NAS1836-3-11		..INSERT- (USED ON ITEMS 197, 197A, 197B, 198, 198A, 198B, 200B, 200C, 201)	A-P	4
214P	NAS1836-3-09		..INSERT- (USED ON ITEMS 197A, 197B, 198A, 198B, 200C, 201, 197C, 197D, 198C, 198D, 200D, 201A)	A-P	20
214Q	NAS1836-3-09		..INSERT- (USED ON ITEM 197C, 197D, 198C, 198D, 200D, 201A)	A-P	4
214S	NAS1836-3-11		..INSERT- (USED ON ITEMS 197, 198, 200B)	A-C, F-H, K-M,P	20

25-28-09

ILLUSTRATED PARTS LIST
01.1 Page 1072Q
Apr 01/91


BOEING
 COMPONENT
 MAINTENANCE MANUAL

 413T1002
 DASH NUMBERS LIMITED

FIG. & ITEM	PART NO.	AIRLINE PART NUMBER	NOMENCLATURE 1234567	EFF CODE	QTY PER ASSY
1- 215	413T1013-96		.MEMBER-EDGE (USED ON ITEMS 197, 198, 200B)	A-C, F-H, K-M,P	1
216	NAS623-3-1		.SCREW	F,J	9
216G	NAS623-3-1		.SCREW	J	1
216P	PSFW10F6DS05WH		.SCREW- (V12324) (OPT ITEM 216Q)	F	5
-216Q	BACS12FA3C5		.SCREW- (OPT ITEM 216P)	F	5
217	NAS623-3-1		.SCREW	F	9
218	NAS620A10L		.WASHER	F,J	9
218G	NAS620A10L		.WASHER	J	1
219	NAS620A10L		.WASHER	F	9
219D	AN960PD10		.WASHER	F	1
219G	AN960PD10L		.WASHER	F	1
219P	H10-3BAC		.NUT- (V15653) (SPEC BACN10JC3) (OPT NS202101-02 (V80539)) (OPT RMLH9075-3W (V72962)) (OPT T6S1032J (V71087)) (OPT VN303A02 (V92215)) (OPT 96-02 (V80539)) (OPT BRH10A3 (V52828))	F	1

25-28-09

 ILLUSTRATED PARTS LIST
 01.1 Page 1072R
 Apr 01/91



BOEING
COMPONENT
MAINTENANCE MANUAL

FIG. & ITEM	PART NO.	AIRLINE PART NUMBER	NOMENCLATURE 1234567	EFF CODE	QTY PER ASSY
1- 220	BACB30LU3-8		.BOLT- (V06710) (SPEC BACB30LU3-8) (OPT BACB30LU3-8 (V06725)) (OPT BACB30LU3-8 (V06950)) (OPT BACB30LU3-8 (V17943)) (OPT BACB30LU3-8 (V27624)) (OPT BACB30LU3-8 (V56878)) (OPT BACB30LU3-8 (V80539)) (OPT BACB30LU3-8 (V85495)) (OPT BACB30LU3-8 (V92215)) (OPT BACB30LU3-8 (V97928))	F,J	4
221	BACB30LU3-8		.BOLT- (V06710) (SPEC BACB30LU3-8) (OPT BACB30LU3-8 (V06725)) (OPT BACB30LU3-8 (V06950)) (OPT BACB30LU3-8 (V17943)) (OPT BACB30LU3-8 (V27624)) (OPT BACB30LU3-8 (V56878)) (OPT BACB30LU3-8 (V80539)) (OPT BACB30LU3-8 (V85495)) (OPT BACB30LU3-8 (V92215)) (OPT BACB30LU3-8 (V97928))	F	4

25-28-09

ILLUSTRATED PARTS LIST
01.1 Page 1072S
Apr 01/91

FIG. & ITEM	PART NO.	AIRLINE PART NUMBER	NOMENCLATURE 1234567	EFF CODE	QTY PER ASSY
1- 222	BACW10UB10		.WASHER- (V10630) (SPEC BACW10UB10)	F,J	4
223	BACW10UB10		.WASHER- (V10630) (SPEC BACW10UB10)	F	4
224	A11330-8-3		.NUT- (V72962) (SPEC BACN10FX21) (OPT BRC500-8-3 (V52828)) (OPT F49322-3-21 (V15653)) (OPT SL240-3-1 (V97393)) (OPT 130061 (V60119))	F,J	4
224A	A11330-8-3		.NUT- (V72962) (SPEC BACN10FX21) (OPT BRC500-8-3 (V52828)) (OPT F49322-3-21 (V15653)) (OPT SL240-3-1 (V97393)) (OPT 130061 (V60119))	F	4
225	413T1098-1		.BRACKET	F,J	7
225A	413T1098-1		.BRACKET	F	7
225H	413T1133-2		.CLIP	F	1
225Q	413T1133-1		.SHROUD	F	1
226	413T1097-1		.PANEL ASSY-DIVIDER	J	1

25-28-09

 ILLUSTRATED PARTS LIST
 01.1 Page 1072T
 Apr 01/91

FIG. & ITEM	PART NO.	AIRLINE PART NUMBER	NOMENCLATURE 1234567	EFF CODE	QTY PER ASSY
1-					
-226P	413T1097-8		.PANEL ASSY-DIVIDER	F	1
227	NAS1836-3-11		..INSERT	F,J	3
227A	NAS1834-3K400		..INSERT	F,J	4
227G	NAS1836-3-11		..INSERT	F	1
228A	413T1097-9		.PANEL ASSY-DIVIDER	F	1
229	NAS1836-3-11		..INSERT	F	4
229A	NAS1836-08-11		..INSERT	F	1
229B	NAS1834-3K400		..INSERT	F	4
230	413T1017-7		.HINGE ASSY- (OPT ITEMS 230A, 230B) (PRE SB 767-25-0078)	A-P	2
-230A	413T1017-15		.HINGE ASSY- (OPT ITEMS 230, 230B) (PRE SB 767-25-0078)	A-P	2
-230B	413T1017-23		.HINGE ASSY- (OPT ITEMS 230, 230A) (PRE SB 767-25-0078)	A-P	2
-230C	9994		.HINGE ASSY- (V80477) (POST SB 767-25-0078)	A-P	2
232	413T1017-8		.HINGE ASSY- (OPT ITEMS 232A, 232B) (PRE SB 767-25-0078)	A-P	2
-232A	413T1017-16		.HINGE ASSY- (OPT ITEMS 232, 232B) (PRE SB 767-25-0078)	A-P	2
-232B	413T1017-24		.HINGE ASSY- (OPT ITEMS 232, 232A) (PRE SB 767-25-0078)	A-P	2

25-28-09

ILLUSTRATED PARTS LIST
01.1 Page 1072U
Apr 01/91

FIG. & ITEM	PART NO.	AIRLINE PART NUMBER	NOMENCLATURE 1234567	EFF CODE	QTY PER ASSY
1- -232C	9994		.HINGE ASSY- (V80477) (POST SB 767-25-0078) ATTACHING PARTS	A-P	2
234	PSFW10F6DS05WH		.SCREW- (V12324) (OPT ITEM 234A)	A-P	24
-234A	BACS12FA3C5		.SCREW- (OPT ITEM 234)	A-P	24
235	NAS1801-3-6		.SCREW	A-P	16
236A	BACW10P183AL		.WASHER- (V10630) (SPEC BACW10P183AL)	A-P	16
			-----*-----		
237	413T1017-9		..HINGE ASSY- (USED ON ITEM 230)	A-P	1
-237G	413T1017-19		..HINGE ASSY- (USED ON ITEM 230A)	A-P	1
-237P	413T1017-27		..HINGE ASSY- (USED ON ITEM 230B)	A-P	1
-238	413T1017-10		..HINGE ASSY- (USED ON ITEM 232)	A-P	1
-238G	413T1017-20		..HINGE ASSY- (USED ON ITEM 232A)	A-P	1
-238P	413T1017-28		..HINGE ASSY- (USED ON ITEM 232B)	A-P	1

25-28-09

 ILLUSTRATED PARTS LIST
 01.1 Page 1072V
 Apr 01/91

 **BOEING**
COMPONENT
MAINTENANCE MANUAL

FIG. & ITEM	PART NO.	AIRLINE PART NUMBER	NOMENCLATURE 1234567	EFF CODE	QTY PER ASSY
1- 239	413T1086-13		...HOUSING-CAM (USED ON ITEMS 237, 237P) (OPT ITEM 239G)	A-P 001,0 01	1
239A	413T1086-19		...HOUSING ASSY-CAM (USED ON ITEM 237) (OPT ITEM 239H)	A-P 001,0 01	1
-239B	413T1086-14		...HOUSING-CAM (USED ON ITEMS 238, 238P) (OPT ITEM 239P)	A-P 001,0 01	1
-239C	413T1086-20		...HOUSING ASSY-CAM (USED ON ITEM 238) (OPT ITEM 239Q)	A-P 001,0 01	1
-239D	413T1086-19		...HOUSING ASSY-CAM (USED ON ITEM 237G)	A-P 001,0 01	1
-239E	413T1086-20		...HOUSING ASSY-CAM (USED ON ITEM 238G)	A-P 001,0 01	1
-239G	413T1086-31		...HOUSING-CAM (USED ON ITEMS 237, 237P) (OPT ITEM 239)	A-P 001,0 01	1
-239H	413T1086-31		...HOUSING-CAM (USED ON ITEM 237) (OPT ITEM 239A)	A-P 001,0 01	1
-239P	413T1086-32		...HOUSING-CAM (USED ON ITEMS 238, 238P) (OPT ITEM 239B)	A-P 001,0 01	1
-239Q	413T1086-32		...HOUSING-CAM (USED ON ITEM 238) (OPT ITEM 239C) ATTACHING PARTS	A-P 001,0 01	1

25-28-09

ILLUSTRATED PARTS LIST
01.1 Page 1072W
Apr 01/91

FIG. & ITEM	PART NO.	AIRLINE PART NUMBER	NOMENCLATURE 1234567	EFF CODE	QTY PER ASSY
1-240	BACB30LH3PU28		...BOLT- (V06710) (SPEC BACB30LH3PU28) (OPT BACB30LH3PU28 (V06725)) (OPT BACB30LH3PU28 (V06950)) (OPT BACB30LH3PU28 (V08524)) (OPT BACB30LH3PU28 (V17943)) (OPT BACB30LH3PU28 (V27624)) (OPT BACB30LH3PU28 (V80539)) (OPT BACB30LH3PU28 (V92215)) (OPT BACB30LH3PU28 (V97928))	A-P 001,0 01	1
241	BACB30LH3PU22		...BOLT- (V06710) (SPEC BACB30LH3PU22) (OPT BACB30LH3PU22 (V06725)) (OPT BACB30LH3PU22 (V06950)) (OPT BACB30LH3PU22 (V08524)) (OPT BACB30LH3PU22 (V17943)) (OPT BACB30LH3PU22 (V27624)) (OPT BACB30LH3PU22 (V80539)) (OPT BACB30LH3PU22 (V92215)) (OPT BACB30LH3PU22 (V97928)) -----*	A-P 002,0 02	2
242	413T1086-21	DOUBLER- (USED ON ITEMS 239A, 239C, 239D, 239E)	A-P 001,0 01	1
243	413T1086-1	HOUSING- (USED ON ITEMS 239A, 239D)	A-P 001,0 01	1

25-28-09

 ILLUSTRATED PARTS LIST
 01.1 Page 1072X
 Apr 01/91

FIG. & ITEM	PART NO.	AIRLINE PART NUMBER	NOMENCLATURE 1234567	EFF CODE	QTY PER ASSY
1- -243G	413T1086-2	HOUSING- (USED ON ITEMS 239C, 239E)	A-P 001,0 01	1
244	NAS43DD3-30		...SPACER	A-P 001,0 01	1
245	413T1086-7		...DOOR	A-P 001,0 01	1
			ATTACHING PARTS		
246	5S1-6		...STUD- (V71286)	A-P 001,0 01	1
248	5S3-2		...WASHER- (V71286)	A-P 001,0 01	1
			-----*-----		
250	413T1083-3		...SCREW- (USED ON ITEMS 237, 238)	A-P 001,0 01	1
-251	413T1083-10		...SCREW- (USED ON ITEMS 237G, 237P, 238G, 238P)	A-P 001,0 01	1
252	413T1083-2		...SCREW- (USED ON ITEMS 237, 238)	A-P 001,0 01	1
-252G	413T1083-9		...SCREW- (USED ON ITEMS 237G, 237P 238G, 238P)	A-P 001,0 01	1
253	NAS1515M3L		...WASHER	A-P 002,0 02	2

25-28-09

ILLUSTRATED PARTS LIST
01.1 Page 1072Y
Apr 01/91

FIG. & ITEM	PART NO.	AIRLINE PART NUMBER	NOMENCLATURE 1234567	EFF CODE	QTY PER ASSY
1- 254	413T1085-4		...ROLLER	A-P 002,0 02	2
256	413T1085-3		...ROLLER	A-P 001,0 01	1
260	413T1023-1		...ACTUATOR ASSY- (USED ON ITEMS 237, 237G, 237P)	A-P 001,0 01	1
-262	413T1023-2		...ACTUATOR ASSY- (USED ON ITEMS 238, 238G, 238P)	A-P 001,0 01	1
264	MS21209F4-10	INSERT	A-P 001,0 01	1
266	NAS77A3-24N	BUSHING	A-P 001,0 01	1
268	NAS77A3-68N	BUSHING	A-P 001,0 01	1
270	413T1023-3	ACTUATOR- (USED ON ITEM 260)	A-P 001,0 01	1
-271	413T1023-4	ACTUATOR- (USED ON ITEM 262)	A-P 001,0 01	1
272	413T1022-7		...FOLLOWER ASSY-CAM (USED ON ITEM 237)	A-P 001,0 01	1

25-28-09

 ILLUSTRATED PARTS LIST
 01.1 Page 1072Z
 Apr 01/91

FIG. & ITEM	PART NO.	AIRLINE PART NUMBER	NOMENCLATURE 1234567	EFF CODE	QTY PER ASSY
1- -272G	413T1022-7		...FOLLOWER ASSY-CAM (USED ON ITEM 237G) (OPT TO ITEM 272P)	A-P 001,0 01	1
-272P	413T1022-11		...FOLLOWER ASSY-CAM (USED ON ITEM 237G) (OPT ITEM 272G)	A-P 001,0 01	1
-272Q	413T1022-7		...FOLLOWER ASSY-CAM (OPT ITEM 272S) (USED ON ITEM 237P)	A-P 001,0 01	1
-272R	413T1022-11		...FOLLOWER ASSY-CAM (OPT ITEM 272S) (USED ON ITEM 237P)	A-P 001,0 01	1
-272S	413T1022-19		...FOLLOWER ASSY-CAM (OPT ITEMS 272Q, 272R) (USED ON ITEM 237P)	A-P 001,0 01	1
-273	413T1022-8		...FOLLOWER ASSY-CAM (USED ON ITEM 238)	A-P 001,0 01	1
-273G	413T1022-8		...FOLLOWER ASSY-CAM (USED ON ITEM 238G) (OPT ITEM 273P)	A-P 001,0 01	1
-273P	413T1022-12		...FOLLOWER ASSY-CAM (USED ON ITEM 238G) (OPT ITEM 273G)	A-P 001,0 01	1
-273Q	413T1022-8		...FOLLOWER ASSY-CAM (OPT ITEM 273S) (USED ON ITEM 238G)	A-P 001,0 01	1
-273R	413T1022-12		...FOLLOWER ASSY-CAM (OPT ITEM 273S) (USED ON ITEM 238G)	A-P 001,0 01	1
-273S	413T1022-20		...FOLLOWER ASSY-CAM (OPT ITEMS 273Q, 273R) (USED ON ITEM 238G)	A-P 001,0 01	1
274	NAS76A3-009N	BUSHING	A-P 001,0 01	1
276	MS21209C0610	INSERT- (USED ON ITEMS 272, 272G, 273, 273G, 272Q, 273Q)	A-P 001,0 01	1

25-28-09

ILLUSTRATED PARTS LIST
01.1 Page 1073
Apr 01/91

FIG. & ITEM	PART NO.	AIRLINE PART NUMBER	NOMENCLATURE 1234567	EFF CODE	QTY PER ASSY
1-278	413T1022-9	FOLLOWER- (USED ON ITEMS 272, 272G, 272Q)	A-P 001,0 01	1
-279	413T1022-13	FOLLOWER- (USED ON ITEMS 272P, 272R)	A-P 001,0 01	1
279A	413T1022-17	FOLLOWER- (USED ON ITEM 272S)	A-P 001,0 01	1
-280	413T1022-10	FOLLOWER- (USED ON ITEMS 273, 273G, 273Q)	A-P 001,0 01	1
-281	413T1022-14	FOLLOWER- (USED ON ITEMS 273P, 273R)	A-P 001,0 01	1
-281A	413T1022-18	FOLLOWER- (USED ON ITEM 273S)	A-P 001,0 01	1
282	NAS601-3		...SCREW	A-P 002,0 02	2
284	MS35338-136		...WASHER	A-P 002,0 02	2
286	413T1083-5		...NUT	A-P 002,0 02	2
288	413T1087-1		...BRACKET	A-P 001,0 01	1
294	413T1020-1		...ARM ASSY-UPR (USED ON ITEMS 237, 238)	A-P 001,0 01	1
-294G	413T1020-1		...ARM ASSY-UPR (USED ON ITEMS 237G, 237P, 238G, 238P) (OPT ITEM 295)	A-P 001,0 01	1
-295	413T1020-4		...ARM ASSY-UPR (USED ON ITEMS 237G, 237P, 238G, 238P) (OPT ITEM 294G)	A-P 001,0 01	1

25-28-09

 ILLUSTRATED PARTS LIST
 01.1 Page 1074
 Apr 01/91

FIG. & ITEM	PART NO.	AIRLINE PART NUMBER	NOMENCLATURE 1234567	EFF CODE	QTY PER ASSY
1- 296	NAS77A3-15N	BUSHING	A-P 002,0 02	2
298	MS21209C0615	INSERT- (USED ON ITEMS 294, 294G)	A-P 001,0 01	1
300	413T1020-2	ARM- (USED ON ITEMS 294, 294G)	A-P 001,0 01	1
-301	413T1020-5	ARM- (USED ON ITEM 295)	A-P 001,0 01	1
302	413T1083-6		...SCREW- (USED ON ITEMS 237, 238)	A-P 001,0 01	1
-302G	413T1083-11		...SCREW- (USED ON ITEMS 237G, 237P, 238G, 238P)	A-P 001,0 01	1
303	NAS1515M3L		...WASHER	A-P 002,0 02	2
304	413T1084-1		...SHAFT	A-P 001,0 01	1
306	413T1021-1		...ARM ASSY-LWR	A-P 001,0 01	1
308	NAS77A3-15N	BUSHING	A-P 004,0 04	4

25-28-09

ILLUSTRATED PARTS LIST
01.1 Page 1074A
Apr 01/91

FIG. & ITEM	PART NO.	AIRLINE PART NUMBER	NOMENCLATURE 1234567	EFF CODE	QTY PER ASSY
1-310	NAS76A3-007N	BUSHING	A-P 001,0 01	1
312	413T1021-2	ARM	A-P 001,0 01	1
314	413T1083-8		...SCREW	A-P 001,0 01	1
318	413T1086-9		...SUPPORT ASSY-SPR (USED ON ITEMS 237, 237G)	A-P 001,0 01	1
-318A	413T1086-9		...SUPPORT ASSY-SPR (OPT ITEM 318B) (USED ON ITEM 237P)	A-P 001,0 01	1
-318B	413T1086-35		...SUPPORT ASSY-SPR (OPT ITEM 318A) (USED ON ITEM 237P)	A-P 001,0 01	1
-320	413T1086-10		...SUPPORT ASSY-SPR (USED ON ITEMS 238, 238G)	A-P 001,0 01	1
-320A	413T1086-10		...SUPPORT ASSY-SPR (OPT ITEM 320B) (USED ON ITEM 238P)	A-P 001,0 01	1
-320B	413T1086-36		...SUPPORT ASSY-SPR (OPT ITEM 320A) (USED ON ITEM 238P)	A-P 001,0 01	1
324	UI19136-2B8	INSERT- (V07757) (OPT ITEM 324A)	A-P 001,0 01	1
-324A	6035-04BR0219	INSERT- (V01556) (OPT ITEM 324)	A-P 001,0 01	1

25-28-09

 ILLUSTRATED PARTS LIST
 01.1 Page 1074B
 Apr 01/91

 **BOEING**
COMPONENT
MAINTENANCE MANUAL

FIG. & ITEM	PART NO.	AIRLINE PART NUMBER	NOMENCLATURE 1234567	EFF CODE	QTY PER ASSY
1-328	413T1086-11	SUPPORT- (USED ON ITEMS 318, 318A)	A-P 001,0 01	1
328A	413T1086-37	SUPPORT- (USED ON ITEM 318B)	A-P 001,0 01	1
-330	413T1086-12	SUPPORT- (USED ON ITEMS 320, 320A)	A-P 001,0 01	1
-330A	413T1086-38	SUPPORT- (USED ON ITEMS 320B)	A-P 001,0 01	1
332	413T1086-3		...HOUSING ASSY-SPR (USED ON ITEMS 237, 237G, 237P) (OPT ITEM 332A)	A-P 001,0 01	1
-332A	413T1086-15		...HOUSING ASSY-SPR (USED ON ITEMS 237, 237G, 237P) (OPT ITEM 332)	A-P 001,0 01	1
-334	413T1086-4		...HOUSING ASSY-SPR (USED ON ITEMS 238, 238G, 238P) (OPT ITEM 334A)	A-P 001,0 01	1
-334A	413T1086-16		...HOUSING ASSY-SPR (USED ON ITEMS 238, 238G, 238P) (OPT ITEM 334)	A-P 001,0 01	1
338	UI19136-2B8	INSERT- (V07757) (OPT ITEM 338A)	A-P 001,0 01	1
-338A	6035-04BR0219	INSERT- (V01556) (OPT ITEM 338)	A-P 001,0 01	1
342	UI19136-6B8	INSERT- (V07757) (OPT ITEM 342A)	A-P 003,0 03	3
-342A	6041-3BR0375	INSERT- (V01556) (OPT ITEM 342)	A-P 003,0 03	3
346	413T1086-5	HOUSING- (USED ON ITEM 332)	A-P 001,0 01	1

25-28-09

ILLUSTRATED PARTS LIST
01.1 Page 1074C
Apr 01/91

FIG. & ITEM	PART NO.	AIRLINE PART NUMBER	NOMENCLATURE 1234567	EFF CODE	QTY PER ASSY
1- -346A	413T1086-17	HOUSING- (USED ON ITEM 332A)	A-P 001,0 01	1
-348	413T1086-6	HOUSING- (USED ON ITEM 334)	A-P 001,0 01	1
-348A	413T1086-18	HOUSING- (USED ON ITEM 334A)	A-P 001,0 01	1
350	413T1017-3		...RECEPTACLE ASSY	A-P 001,0 01	1
352	NAS1352C04LB4		ATTACHING PARTS ...SCREW	A-P 002,0 02	2
354	5R3-1		-----*-----RECEPTACLE- (V71286)	A-P 001,0 01	1
355A	F1313		..SPRING ASSY-GAS (V55787) (SPEC S413T301-2)	A-P	1
356	412T2014-1		.FITTING ASSY ATTACHING PARTS	A-P	2
358	NAS623-3-2		.SCREW	A-P	4
360	NAS620A10L		.WASHER	A-P	4
362C	BREFFA0486		-----*----- DELETED		
362D	BACB28X4M050		..BUSHING- (V23294) (SPEC BACB28X4M050) (OPT BACB28X4M050 (V70265)) (OPT BACB28X4M050 (V94892))	A-P	1
364	412T2014-2		..FITTING	A-P	1
366	412T1004-1SP		.RAIL ASSY ATTACHING PARTS	A-P	1
370	NAS6603-2		.BOLT	A-P	26
372	AN960KD10L		.WASHER	A-P	26
374	412T1004-17SP		-----*----- ..SURFACE-DECORATIVE	A-P	1

25-28-09

 ILLUSTRATED PARTS LIST
 01.1 Page 1074D
 Apr 01/91

FIG. & ITEM	PART NO.	AIRLINE PART NUMBER	NOMENCLATURE 1234567	EFF CODE	QTY PER ASSY
1-					
376	412T1004-9		..RAIL	A-P	1
379	2055051		.RETAINER- (V04169)	A-P	10
380	413T1081-1		.CHANNEL ASSY ATTACHING PARTS	A-P	1
382	NAS623-3-1		.SCREW	A-P	38
383	NAS623-3-3		.SCREW	A-P	2
384	NAS620A10L		.WASHER	A-P	40
			-----*-----		
385	AF5171-3-2		..RIVET- (V53551) (SPEC BACR15DR3-2) (OPT CCR264SS3-2 (V11815)) (OPT RV571A3-2 (V98996))	A-P	52
386	BRF100A3		..NUTPLATE- (V52828) (SPEC BACN10KB3F) (OPT F2000-3 (V15653)) (OPT RMF9207-3 (V72962)) (OPT T8114S1032S (V11815)) (OPT VN151A1-02 (V92215)) (OPT F2000-3 (V15653))	A-P	4

25-28-09

ILLUSTRATED PARTS LIST
01.1 Page 1074E
Apr 01/91

FIG. & ITEM	PART NO.	AIRLINE PART NUMBER	NOMENCLATURE 1234567	EFF CODE	QTY PER ASSY
1-388	F5000-3BAC		..NUTPLATE- (V15653) (SPEC BACN10JR3F) (OPT NS103203-02 (V80539)) (OPT RMF9201-3 (V72962)) (OPT T8091S1032 (V11815)) (OPT VN152A1-02 (V92215)) (OPT BRF200A3 (V52828))	A-P	22
392	413T1081-6		..CHANNEL	A-P	1
394	412T1000-1SP		.RAIL AND BRACKET ASSY- PASS. SVCE UNIT/SIDEWALL SPRT	A-J	1
-395	412T1000-2SP		.RAIL AND BRACKET ASSY- PASS. SVCE UNIT/SIDEWALL SPRT	K-P	1
396A	NAS1801-3-5		ATTACHING PARTS .SCREW	A-P	12
397	NAS620A10L		.WASHER -----*-----	A-P	12
398	412T1001-1		..CHANNEL ASSY	A-J	1
-400	412T1001-2		..CHANNEL ASSY ATTACHING PARTS	K-P	1
402	NAS6603-3		..BOLT	A-P	2
404	AN960PD10		..WASHER	A-P	2
406A	NAS623-2-2		..SCREW	A-P	2
407	AN960PD8L		..WASHER	A-P	2

25-28-09

 ILLUSTRATED PARTS LIST
 01.1 Page 1074F
 Apr 01/91

 **BOEING**
COMPONENT
MAINTENANCE MANUAL

FIG. & ITEM	PART NO.	AIRLINE PART NUMBER	NOMENCLATURE 1234567	EFF CODE	QTY PER ASSY
1-407G	H10-08BAC		..NUT- (V15653) (SPEC BACN10JC08) (OPT NS202101-82 (V80539)) (OPT RMLH9075-82W (V72962)) (OPT T6S832J (V71087)) (OPT VN303A82 (V92215)) (OPT 96-82 (V80539)) (OPT BRH10A08 (V52828)) (OPT T6S832J (V11815)) -----*	A-P	2
408	BRM100A3		...NUTPLATE- (V52828) (SPEC BACN10JP3B) (OPT MK2000-3BAC (V15653)) (OPT NS103198-02 (V80539)) (OPT RMA9207-3 (V72962)) (OPT T8077S1032 (V11815)) (OPT VN201A1-02 (V92215)) ATTACHING PARTS	A-P	2
410	BACR15BA3AD		...RIVET- (SIZE DETERMINE ON INST) -----*	A-P	4
412	412T1001-7		...CHANNEL	A-J	1
-414	412T1001-8		...CHANNEL	K-P	1
416	412T1003-2		..BRACKET ASSY	A-J	6
-418	412T1003-1		..BRACKET ASSY ATTACHING PARTS	K-P	6
420	NAS6603-3		..BOLT	A-P	12
422	AN960PD10		..WASHER -----*	A-P	12

25-28-09

ILLUSTRATED PARTS LIST
01.1 Page 1074G
Apr 01/91

FIG. & ITEM	PART NO.	AIRLINE PART NUMBER	NOMENCLATURE 1234567	EFF CODE	QTY PER ASSY
1- 424	BRM300A3		...NUTPLATE- (V52828) (SPEC BACN10JP3C) (OPT MK3000-3BAC (V15653)) (OPT NS103199-02 (V80539)) (OPT RMA9205M3 (V72962)) (OPT T8078S1032 (V11815)) (OPT VN203A1-02 (V92215)) ATTACHING PARTS	A-P	2
426	BACR15BA3AD		...RIVET- (SIZE DETERMINE ON INST) -----*-----	A-P	4
427B	412T1003-4		...BRACKET	A-J	1
-427C	412T1003-3		...BRACKET	K-P	1
428	2055144		..RETAINER- (V04169)	A-P	14
430	412T1002-1SP		..RAIL ASSY	A-J	1
-432	412T1002-2SP		..RAIL ASSY	K-P	1
434	412T1002-17SP		...SURFACE-DECORATIVE	A-P	1
436	WS1-332A8		...NUTPLATE- (V04169) (SPEC BACN10GH3A8) ATTACHING PARTS	A-P	6
438	BACR15BB4AD		...RIVET- (SIZE DETERMINE ON INST) -----*-----	A-P	12
438A	NAS1801-3-12		...SCREW	A-P	4
438B	MS35338-43		...WASHER	A-P	4
438C	AN960D10L		...WASHER	A-P	8
438D	MS35650-305S		...NUT	A-P	4
439	412T1002-9		...RAIL	A-J	1
-440	412T1002-10		...RAIL	K-P	1
442	412T3109-1		.FITTING ASSY	A-J	1
-444	412T3109-2		.FITTING ASSY ATTACHING PARTS	K-P	1
446	NAS623-3-1		.SCREW	A-P	11
448	NAS620A10L		.WASHER -----*-----	A-P	11

25-28-09

 ILLUSTRATED PARTS LIST
 01.1 Page 1074H
 Apr 01/91

 **BOEING**
COMPONENT
MAINTENANCE MANUAL

FIG. & ITEM	PART NO.	AIRLINE PART NUMBER	NOMENCLATURE 1234567	EFF CODE	QTY PER ASSY
1- 450	BACB28AR06A024A		..BUSHING- (V09455) (SPEC BACB28AR06A024A) (OPT BACB28AR06A024A (V15860)) (OPT BACB28AR06A024A (V50294)) (OPT BACB28AR06A024A (V73134)) (OPT BACB28AR06A024A (V77896)) (OPT BACB28AR06A024A (V97613))	A-P	1
452	412T3109-21		..DOUBLER	A-P	1
454	412T3109-11		..FITTING	A-J	1
-456	412T3109-12		..FITTING	K-P	1
458	412T3109-5		.FITTING ASSY	A-J	1
-460	412T3109-6		.FITTING ASSY	K-P	1
			ATTACHING PARTS		
462	NAS623-3-1		.SCREW	A-P	9
464	NAS620A10L		.WASHER	A-P	9
			-----*		
466	BACB28X4C005		..BUSHING- (V23294) (SPEC BACB28X4C005) (OPT BACB28X4C005 (V70265)) (OPT BACB28X4C005 (V94892))	A-P	1
468	412T3109-15		..FITTING	A-J	1
-470	412T3109-16		..FITTING	K-P	1

25-28-09

ILLUSTRATED PARTS LIST
01.1 Page 1074I
Apr 01/91

FIG. & ITEM	PART NO.	AIRLINE PART NUMBER	NOMENCLATURE 1234567	EFF CODE	QTY PER ASSY
1- 472A	HL19PB10-24		.BOLT- (V56878) (SPEC BACB30FN10-24) (OPT HL19PB10-24 (V73197)) (OPT HL19PB10-24 (V92215)) (OPT HL19PB10-24 (V97928)) (OPT 62547-10-24 (V56878)) (OPT HL19PB10-24 (V80539)) (OPT WC2510-24 (V60516)) (OPT HL19PB10-24 (V60516)) (OPT HL19PB10-24 (V08524))	A-P	1
474	BACB28Z5-025		.BUSHING- (V23294) (SPEC BACB28Z5-025) (OPT BACB28Z5-025 (V70265)) (OPT BACB28Z5-025 (V94892))	A-P	1
476	412T2047-1		.SPACER	A-P	1
478	AN960C516		.WASHER	A-P	1
480	H01-5BAC		.NUT- (V15653) (SPEC BACN10JC5CM) (OPT T6C524JM (V11815)) (OPT 109LH9075-5W (V72962)) (OPT 97E054 (V80539))	A-P	1

25-28-09

 ILLUSTRATED PARTS LIST
 01.1 Page 1074J
 Apr 01/91

FIG. & ITEM	PART NO.	AIRLINE PART NUMBER	NOMENCLATURE 1234567	EFF CODE	QTY PER ASSY
1-482	412T2013-3		.FITTING ATTACHING PARTS	A-P	1
484	BACB30LU3-9		.BOLT- (V06710) (SPEC BACB30LU3-9) (OPT BACB30LU3-9 (V06725)) (OPT BACB30LU3-9 (V06950)) (OPT BACB30LU3-9 (V17943)) (OPT BACB30LU3-9 (V27624)) (OPT BACB30LU3-9 (V56878)) (OPT BACB30LU3-9 (V80539)) (OPT BACB30LU3-9 (V85495)) (OPT BACB30LU3-9 (V92215)) (OPT BACB30LU3-9 (V97928))	A-P	8

25-28-09

ILLUSTRATED PARTS LIST
01.1 Page 1074K
Apr 01/91

FIG. & ITEM	PART NO.	AIRLINE PART NUMBER	NOMENCLATURE 1234567	EFF CODE	QTY PER ASSY
1- -486A	BACB30LU3-9		.BOLT- (V06710) (SPEC BACB30LU3-9) (OPT BACB30LU3-9 (V06725)) (OPT BACB30LU3-9 (V06950)) (OPT BACB30LU3-9 (V17943)) (OPT BACB30LU3-9 (V27624)) (OPT BACB30LU3-9 (V56878)) (OPT BACB30LU3-9 (V80539)) (OPT BACB30LU3-9 (V85495)) (OPT BACB30LU3-9 (V92215)) (OPT BACB30LU3-9 (V97928))	F,J	1
486B	NAS514P1032-18		.SCREW	A-E,G H K-P	1
494	412T2046-3		.DOUBLER	A-J	1
-496	412T2046-4		.DOUBLER	K-P	1
498A	AN960PD10L		.WASHER	A-P	9
502	H10-3BAC		.NUT- (V15653) (SPEC BACN10JC3) (OPT NS202101-02 (V80539)) (OPT RMLH9075-3W (V72962)) (OPT T6S1032J (V71087)) (OPT VN303A02 (V92215)) (OPT 96-02 (V80539)) (OPT BRH10A3 (V52828))	A-P	9

25-28-09

 ILLUSTRATED PARTS LIST
 01.1 Page 1074L
 Apr 01/91

 **BOEING**
COMPONENT
MAINTENANCE MANUAL

FIG. & ITEM	PART NO.	AIRLINE PART NUMBER	NOMENCLATURE 1234567	EFF CODE	QTY PER ASSY
1- -508A	H10-3BAC		.NUT- (V15653) (SPEC BACN10JC3) (OPT NS202101-02 (V80539)) (OPT RMLH9075-3W (V72962)) (OPT T6S1032J (V71087)) (OPT VN303A02 (V92215)) (OPT 96-02 (V80539)) (OPT BRH10A3 (V52828)) -----*	F,J	1
512	412T2010-1		.TIE ASSY-TNSN (OPT ITEM 512A)	A-P	1
-512A	1281-1		.TIE ASSY-TNSN (V34742) (OPT ITEM 512)	A-P	1
516	412T2010-2		..TUBE- (USED ON ITEM 512)	A-P	1
518	412T2010-3		..PAD- (USED ON ITEM 512)	A-P	1
520	412T2011-1		..FITTING ASSY- (USED ON ITEM 512) ATTACHING PARTS	A-P	1
522	SALPYT6-16		..BOLT- (V11815) (SPEC BACB30GW6-16) (OPT SALPYT6-16 (V29666)) (OPT SALPYT6-16 (V17446))	A-P	2
524	2DCC6		..COLLAR- (V11815) (SPEC BACC30K6) (OPT 2DCC6 (V17446)) -----*	A-P	2

25-28-09

ILLUSTRATED PARTS LIST
01.1 Page 1074M
Apr 01/91

FIG. & ITEM	PART NO.	AIRLINE PART NUMBER	NOMENCLATURE 1234567	EFF CODE	QTY PER ASSY
1-526	HU4-134		...BEARING- (V02758) (SPEC BACB10AB4) (OPT ABW4V5 (V50294)) (OPT AB4VCRG (V15860)) (OPT BSSR4804 (V81376)) (OPT KWB4-20CRG (V97613)) (OPT WG4E (V73134)) (OPT 55282 (V09455)) (OPT WC4G1 (V56644)) (USED ON ITEM 520)	A-P	1
528	412T2011-2		...FITTING- (USED ON ITEM 520)	A-P	1
530	10-60779-112L		..BEARING-ROD END (USED ON ITEM 512)	A-P	1
532	412T2012-2		..NUT- (USED ON ITEM 512)	A-P	1
534	412T2012-1		..SLEEVE- (USED ON ITEM 512)	A-P	1
536	AN316-6L		..NUT- (USED ON ITEM 512)	A-P	1
538	413T1095-6		.RETAINER ASSY- (OPT ITEM 538A)	A-E,G ,H, K-P	1
-538A	413T1095-8		.RETAINER ASSY- (OPT ITEM 538)	A-E,G ,H, K-P	1
540A	NAS514P1032-9		ATTACHING PARTS .SCREW -----*-----	A-E,G ,H, K-P	1

25-28-09

 ILLUSTRATED PARTS LIST
 01.1 Page 1074N
 Apr 01/91

FIG. & ITEM	PART NO.	AIRLINE PART NUMBER	NOMENCLATURE 1234567	EFF CODE	QTY PER ASSY
1-542	413T1095-5		..PLUG	A-E,G H, K-P	1
544	BACS18K10-18W		..SPACER- (V08073) (SPEC BACS18K10-18W) (USED ON ITEM 538)	A-E,G H, K-P	1
-544A	BACS18K10-18		..SPACER- (USED ON ITEM 538A)	A-E,G H, K-P	1
546	BACS18K10-23W		..SPACER- (V08073) (SPEC BACS18K10-23W) (USED ON ITEM 538)	A-E,G H, K-P	1
-546A	BACS18K10-23		..SPACER- (USED ON ITEM 538A)	A-E,G H, K-P	1
548	BACS18K10-15W		..SPACER- (V08073) (SPEC BACS18K10-15W) (USED ON ITEM 538)	A-E,G H, K-P	1
-548A	BACS18K10-15		..SPACER- (USED ON ITEM 538A)	A-E,G H, K-P	1
549	413T1095-3		..RETAINER- (USED ON ITEM 538)	A-E,G H, K-P	1
-549A	413T1095-10		..RETAINER- (USED ON ITEM 538A)	A-E,G H, K-P	1
550	NAS1454-08-0011		.ROD	F	1
551	MS35649-282		.NUT	F	1

25-28-09

FIG. & ITEM	PART NO.	AIRLINE PART NUMBER	NOMENCLATURE 1234567	EFF CODE	QTY PER ASSY
1-					
552	413T1013-1		.SHELL ASSY	A	1
-552A	413T1013-3		.SHELL ASSY	B	1
-552B	413T1013-5		.SHELL ASSY	C	1
-552C	413T1013-93		.SHELL ASSY	F	1
-552D	413T1013-107		.SHELL ASSY	D	1
-552E	413T1013-145		.SHELL ASSY	E	1
-552H	413T1013-161		.SHELL ASSY	J	1
-552J	413T1013-335		.SHELL ASSY	G	1
-552K	413T1013-317		.SHELL ASSY	H	1
-554	413T1013-2		.SHELL ASSY	K	1
-554A	413T1013-4		.SHELL ASSY	L	1
-554B	413T1013-6		.SHELL ASSY	M	1
-554C	413T1013-108		.SHELL ASSY	N	1
-554E	413T1013-318		.SHELL ASSY	P	1
566	413T1013-21		..PANEL ASSY-INBD	A-P	1
568	413T1013-22		..PANEL ASSY-INBD	A-P	1
570	NAS1836-3-07		...INSERT	A-P	5
572	413T1013-23		..PANEL ASSY-AFT	A-J	1
-574	413T1013-24		..PANEL ASSY-AFT	K-P	1
578	NAS1834-3-400		...INSERT- (OPT ITEM 578A)	A-P	3
-578A	NAS1834A3-400		...INSERT- (OPT ITEM 578)	A-P	3
580	NAS1836-3-11		...INSERT	A-P	24
582	413T1013-25		..PANEL ASSY-FWD	A,B,C ,J	1
-582A	413T1013-109		..PANEL ASSY-FWD	D,F-H	1
-582B	413T1013-149		..PANEL ASSY-FWD	E	1
-584	413T1013-26		..PANEL ASSY-FWD	K-M	1
-584A	413T1013-110		..PANEL ASSY-FWD	N,P	1
586	NAS1834-3-400		...INSERT- (OPT ITEM 586A)	A-P	3

25-28-09

 ILLUSTRATED PARTS LIST
 01.1 Page 1074P
 Apr 01/91

 **BOEING**
COMPONENT
MAINTENANCE MANUAL

FIG. & ITEM	PART NO.	AIRLINE PART NUMBER	NOMENCLATURE 1234567	EFF CODE	QTY PER ASSY
1- -586A	NAS1834A3-400		...INSERT- (OPT ITEM 586)	A-P	3
587	NAS1836-3-11		...INSERT	A-P	24
587A	NAS1836-3-11		...INSERT	D-H,N ,P	6
587B	NAS1836-3-11		...INSERT	E	4
588	413T1011-1		..PAN ASSY ATTACHING PARTS	B,L	2
589	NAS603-4P		..SCREW	B,L	8
590	AN960KD10L		..WASHER -----*	B,L	8
591	413T1011-1		..PAN ASSY ATTACHING PARTS	C,M	2
592	NAS603-4P		..SCREW	C,M	8
593	AN960KD10L		..WASHER -----*	C,M	8
594	413T1011-1		..PAN ASSY ATTACHING PARTS	A,D-K ,N,P	3
595	NAS603-4P		..SCREW	A,D-K ,N,P	12
596	AN960KD10L		..WASHER -----*	A,D-K ,N,P	12
598	413T1011-3		..PAN ASSY	A-J	1
-599	413T1011-4		..PAN ASSY ATTACHING PARTS	K-P	1
600	NAS603-4P		..SCREW	A-P	4
602	AN960KD10L		..WASHER -----*	A-P	4
604	413T1011-2		..PAN ASSY ATTACHING PARTS	B,L	1
606	NAS603-4P		..SCREW	B,L	4
608	AN960KD10L		..WASHER -----*	B,L	4
610	413T1011-2		..PAN ASSY ATTACHING PARTS	C,M	1
612	NAS603-4P		..SCREW	C,M	4
614	AN960KD10L		..WASHER -----*	C,M	4
618	413T1013-94		..PANEL ASSY	F	1
-618A	413T1013-163		..PANEL ASSY	J	1
620	NAS1836-3-11		...INSERT	F,J	120
620A	NAS1836-3-11		...INSERT	F	8
620B	NAS1836-3-11		...INSERT	J	2

25-28-09

ILLUSTRATED PARTS LIST
01.1 Page 1074Q
Apr 01/91

FIG. & ITEM	PART NO.	AIRLINE PART NUMBER	NOMENCLATURE 1234567	EFF CODE	QTY PER ASSY
1-					
622	NAS1836-08-11		...INSERT	F,J	6
624	NAS1834-3-400		...INSERT- (OPT ITEM 624A)	F,J	25
-624A	NAS1836A3-400		...INSERT- (OPT ITEM 624)	F,J	25
626	NAS1834-4-400		...INSERT- (OPT ITEM 626A)	F,J	8
-626A	NAS1834A4-400		...INSERT- (OPT ITEM 624)	F,J	8
628	NAS1834C4-400		...INSERT	F,J	1
630	NAS1834C5-400		...INSERT	F,J	1
632	SL618-3A		...INSERT- (V97393)	F,J	15
634	NAS1833-3-400		...INSERT	F,J	1
636	413T1013-15		..PANEL ASSY	A,D	1
-636A	413T1013-17		..PANEL ASSY	B	1
-636B	413T1013-19		..PANEL ASSY	C	1
-636C	413T1013-147		..PANEL ASSY	E	1
-636F	413T1013-319		..PANEL ASSY	H	1
-636G	413T1013-337		..PANEL ASSY	G	1
-638	413T1013-16		..PANEL ASSY	K,N	1
-638A	413T1013-18		..PANEL ASSY	L	1
-638B	413T1013-20		..PANEL ASSY	M	1
-638D	413T1013-320		..PANEL ASSY	P	1
650	NAS1836-3-11		...INSERT	A-E,G ,H, K-P	108
651	NAS1836-3-11		...INSERT	E	4
652	NAS1836-08-11		...INSERT	A-E,G ,H, K-P	6
654	NAS1834-3-400		...INSERT- (OPT ITEM 654A)	A-E,G ,H, K-P	25
-654A	NAS1834A3-400		...INSERT- (OPT ITEM 654)	A-E,G ,H, K-P	25
656	NAS1833-3-400		...INSERT	A-E,G ,H, K-P	1

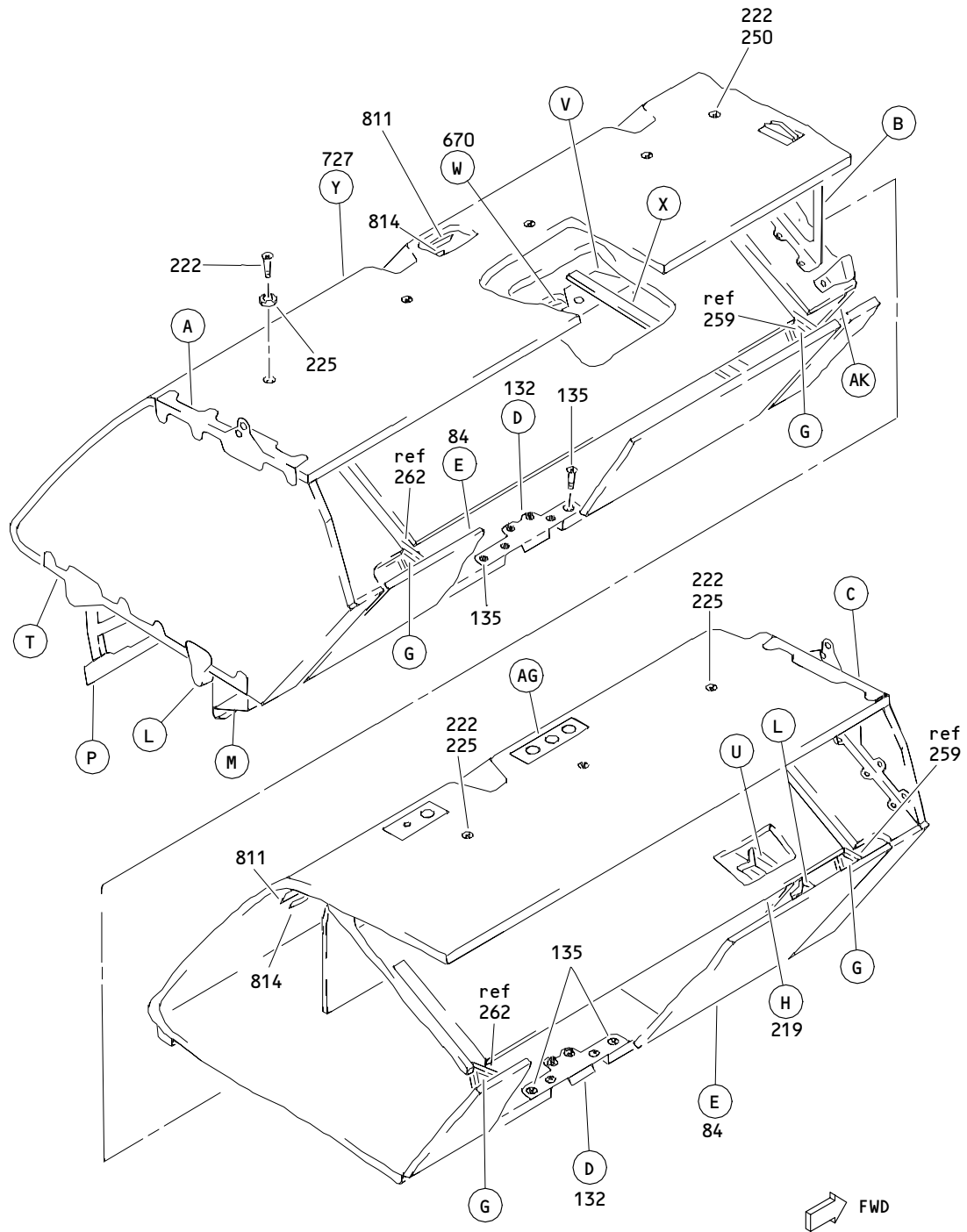
25-28-09

 ILLUSTRATED PARTS LIST
 01.1 Page 1074R
 Apr 01/91

FIG. & ITEM	PART NO.	AIRLINE PART NUMBER	NOMENCLATURE 1234567	EFF CODE	QTY PER ASSY
1- 657	NAS1834C4-400		...INSERT	A-E,G H, K-P	1
658	NAS1834C5-400		...INSERT	A-E,G H, K-P	1
659	SL618-3A		...INSERT- (V97393)	A-E,G H, K-P	15
659A	SL618-3A		...INSERT- (V97393)	H,P	4
659B	SL618-3A		...INSERT- (V97393)	G	4
662	BAC27TPPS0246		.DECAL-DOOR MUST BE LATCHED	F,J	1
665	BAC27TPPS0246		.DECAL-DOOR MUST BE LATCHED	A-E,G H, K-P	2
670	BAC27TPPS0118		.PLACARD-SOFT ARTICLES ONLY	E,G,H P	2

25-28-09

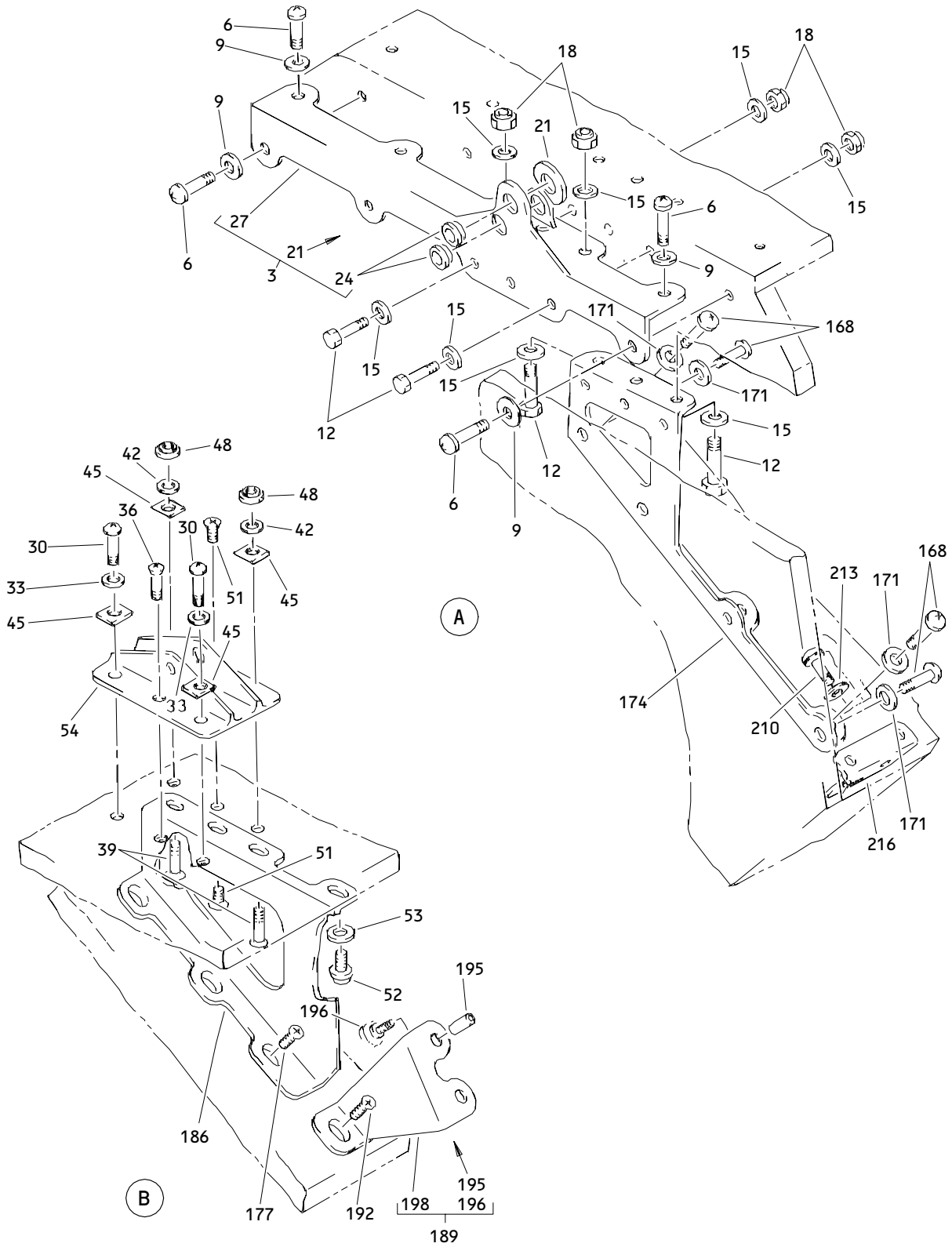
ILLUSTRATED PARTS LIST
01.1 Page 1074S
Apr 01/91



Outboard Overhead Stowage 88 Inch Bin Assembly
 Figure 1A (Sheet 1)

25-28-09

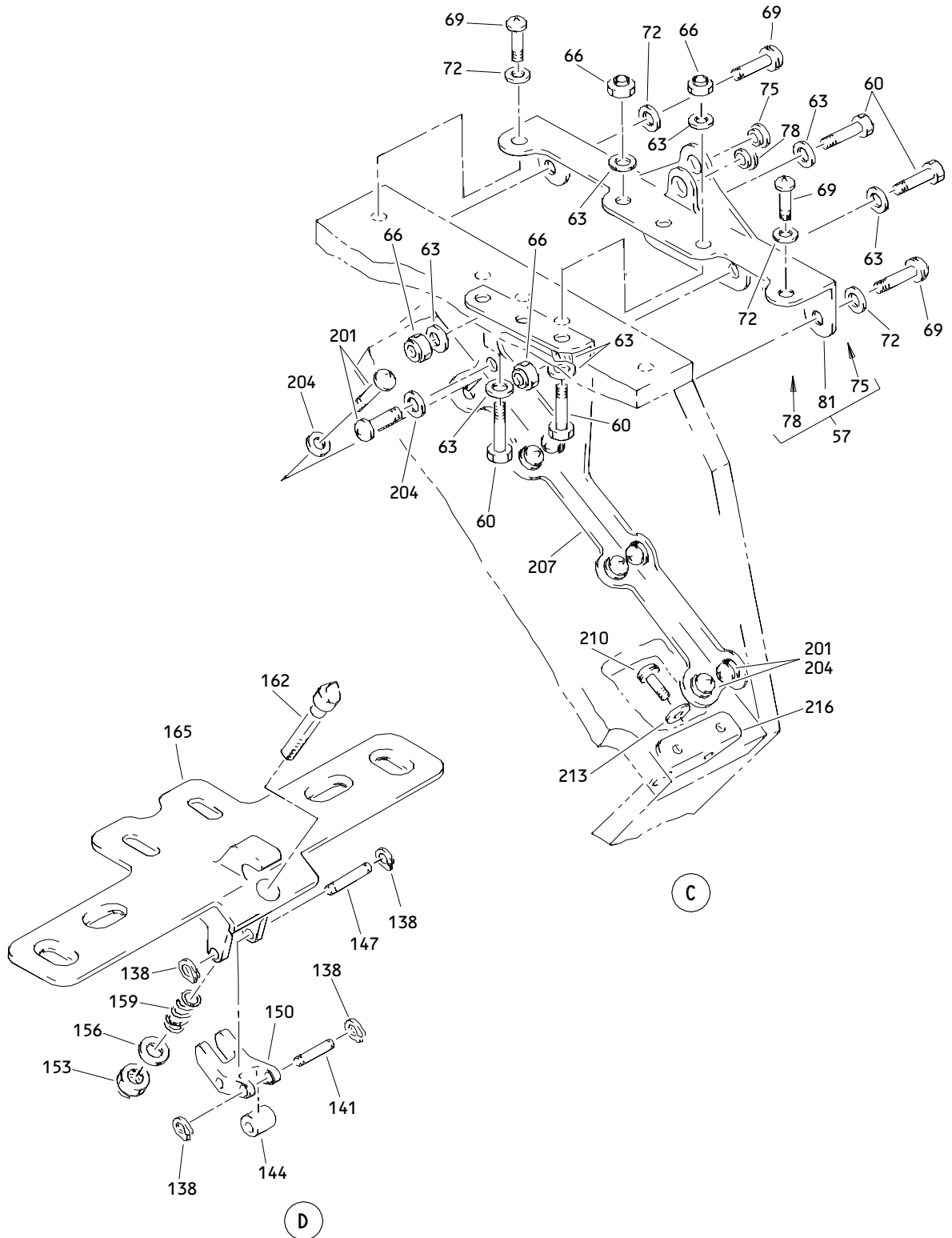
ILLUSTRATED PARTS LIST
 01.1 Page 1074U
 Apr 01/91



Outboard Overhead Stowage 88 Inch Bin Assembly
 Figure 1A (Sheet 2)

25-28-09

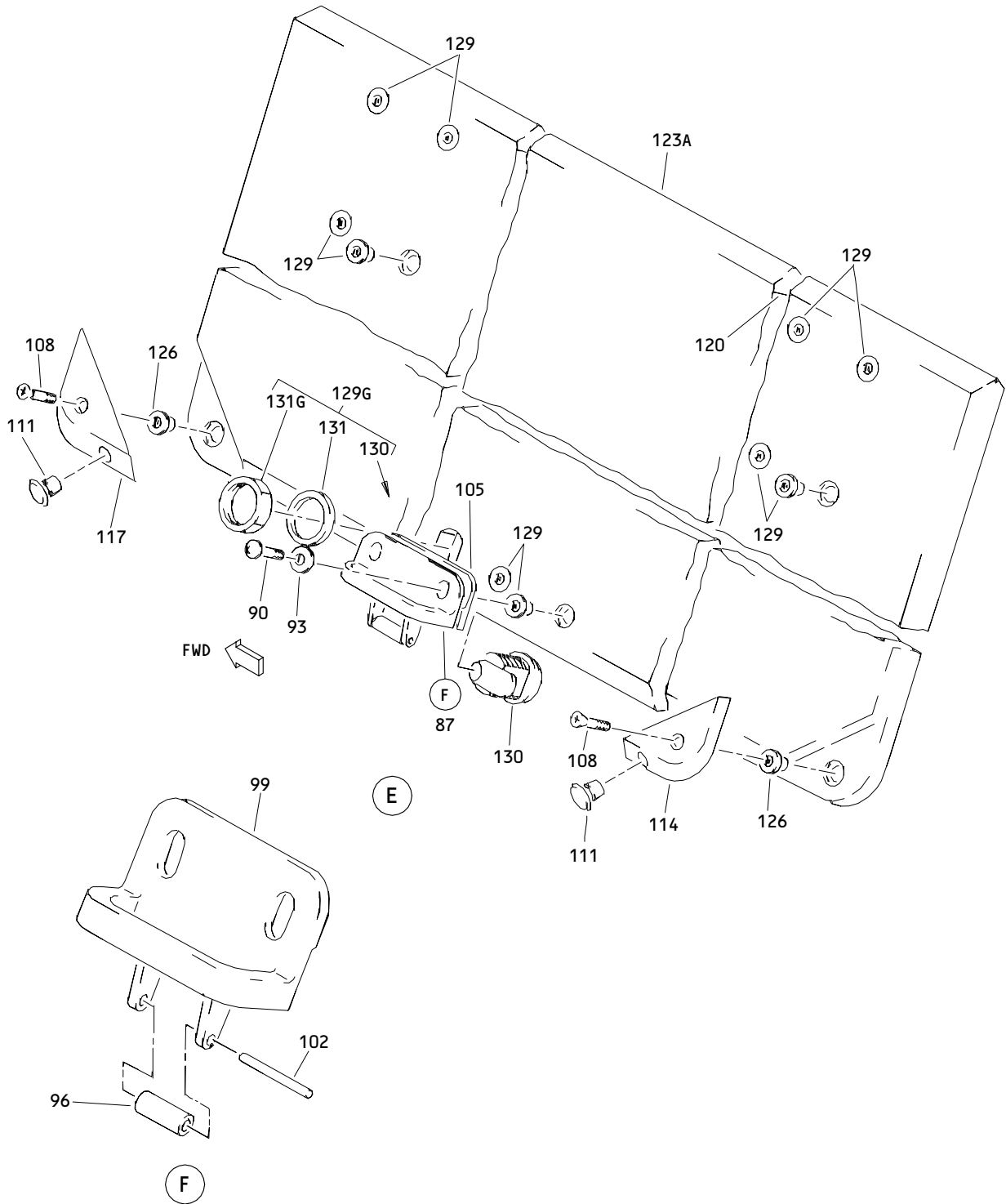
ILLUSTRATED PARTS LIST
 01.1 Page 1074V
 Apr 01/91



Outboard Overhead Stowage 88 Inch Bin Assembly
Figure 1A (Sheet 3)

25-28-09

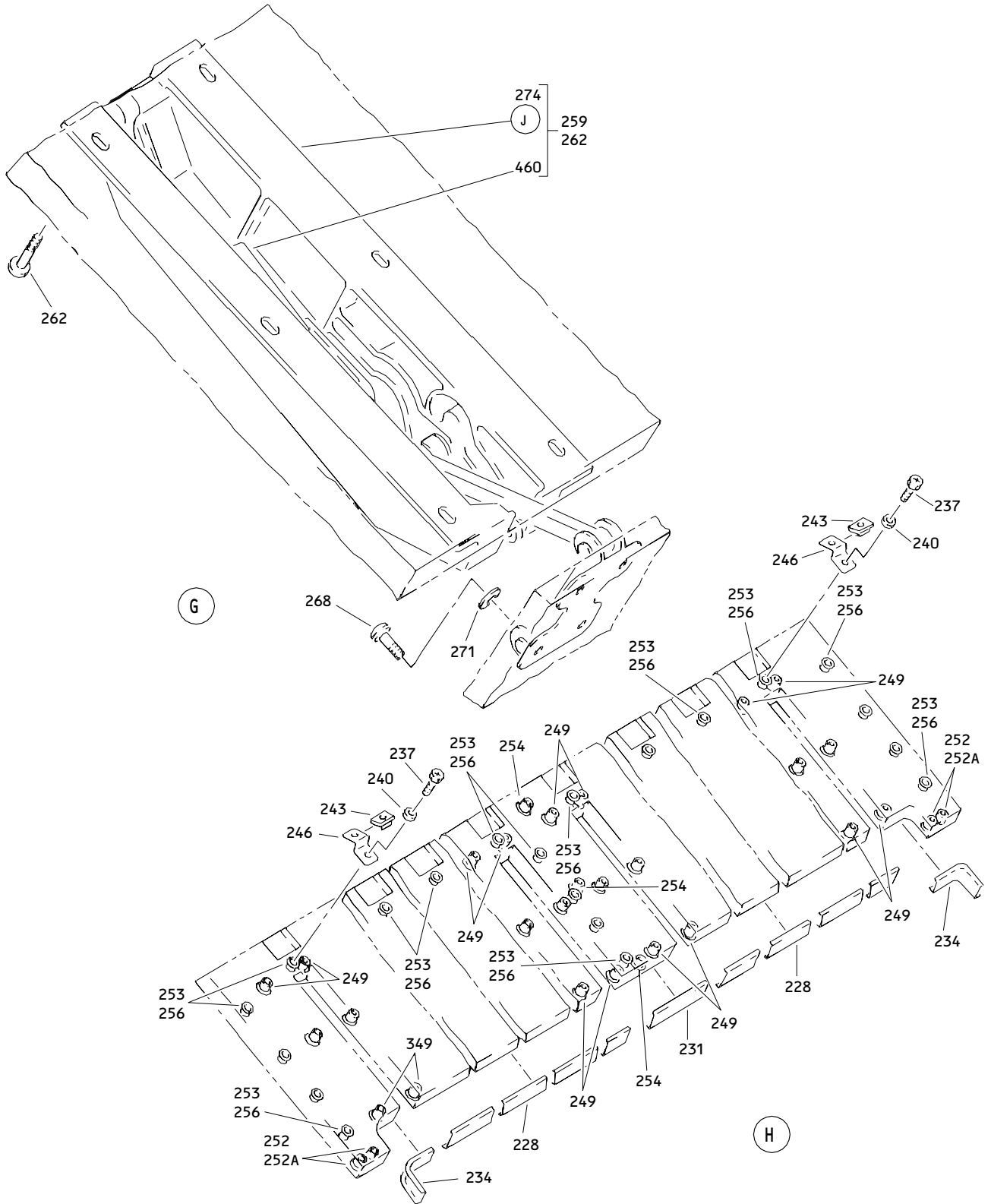
ILLUSTRATED PARTS LIST
01.1 Page 1074W
Apr 01/91



Outboard Overhead Stowage 88 Inch Bin Assembly
 Figure 1A (Sheet 4)

25-28-09

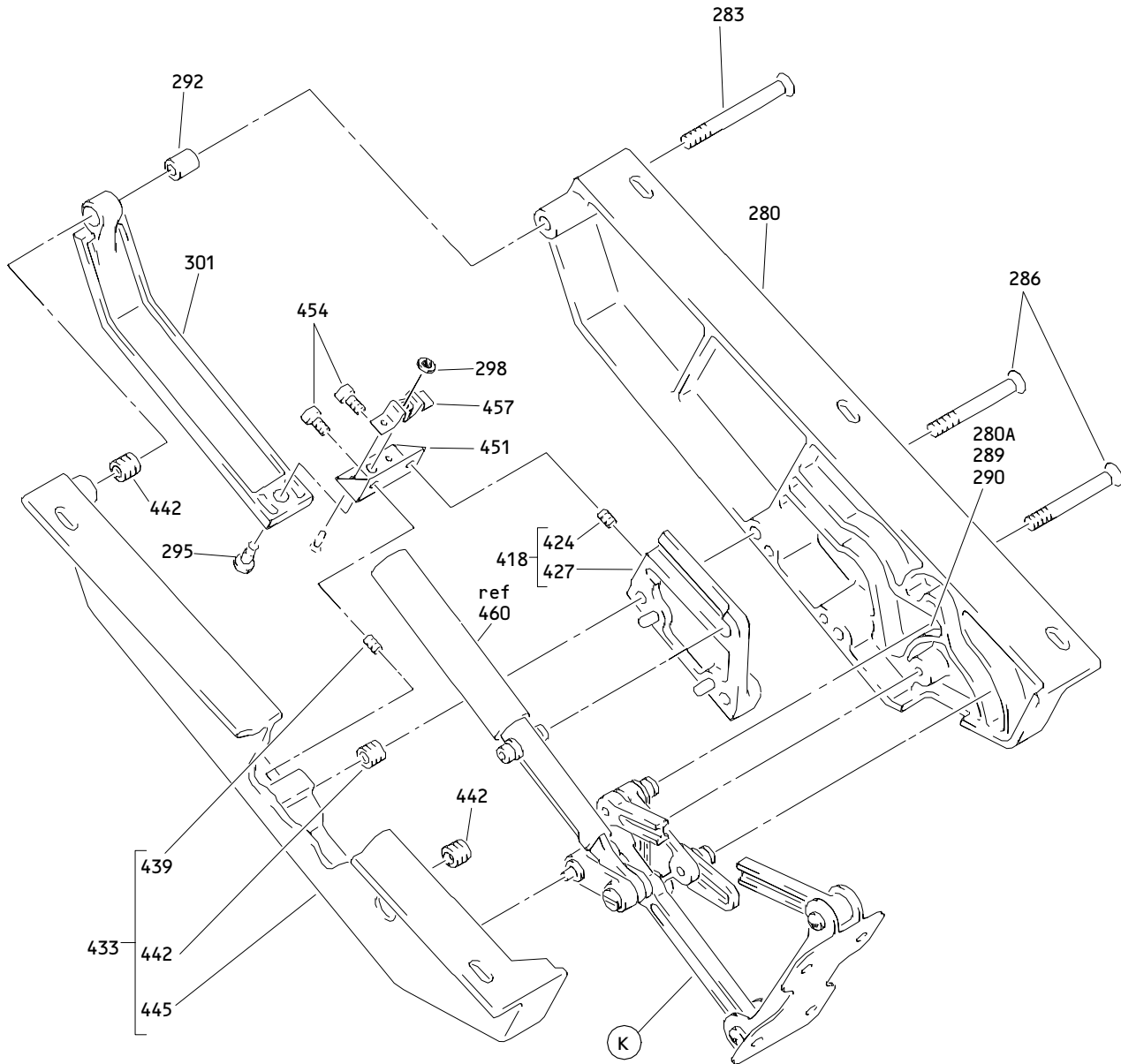
ILLUSTRATED PARTS LIST
 01.1 Page 1074X
 Apr 01/91



Outboard Overhead Storage 88 Inch Bin Assembly
Figure 1A (Sheet 5)

25-28-09

ILLUSTRATED PARTS LIST
01.1 Page 1074Y
Apr 01/91

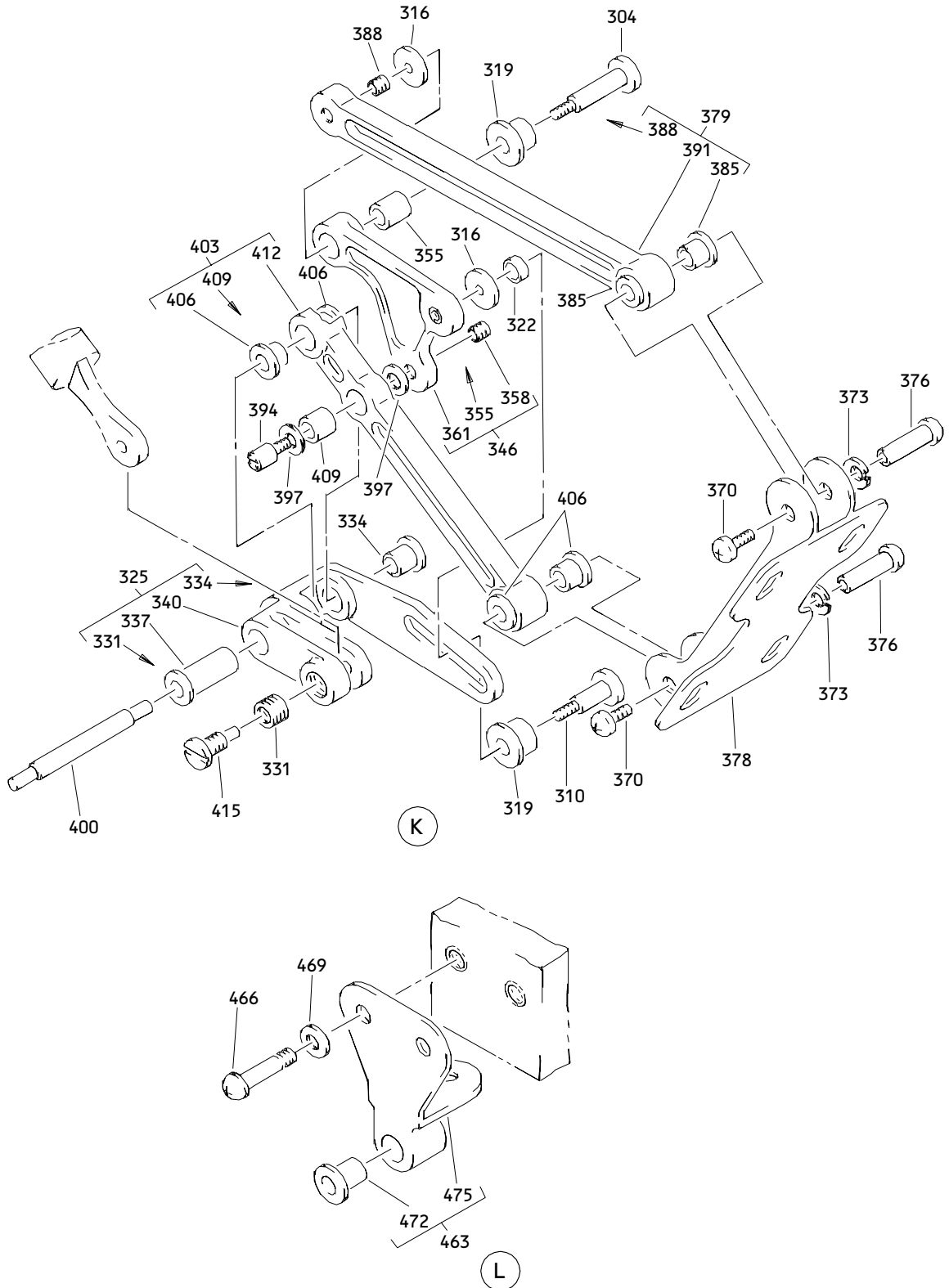


J

Outboard Overhead Stowage 88 Inch Bin Assembly
 Figure 1A (Sheet 6)

25-28-09

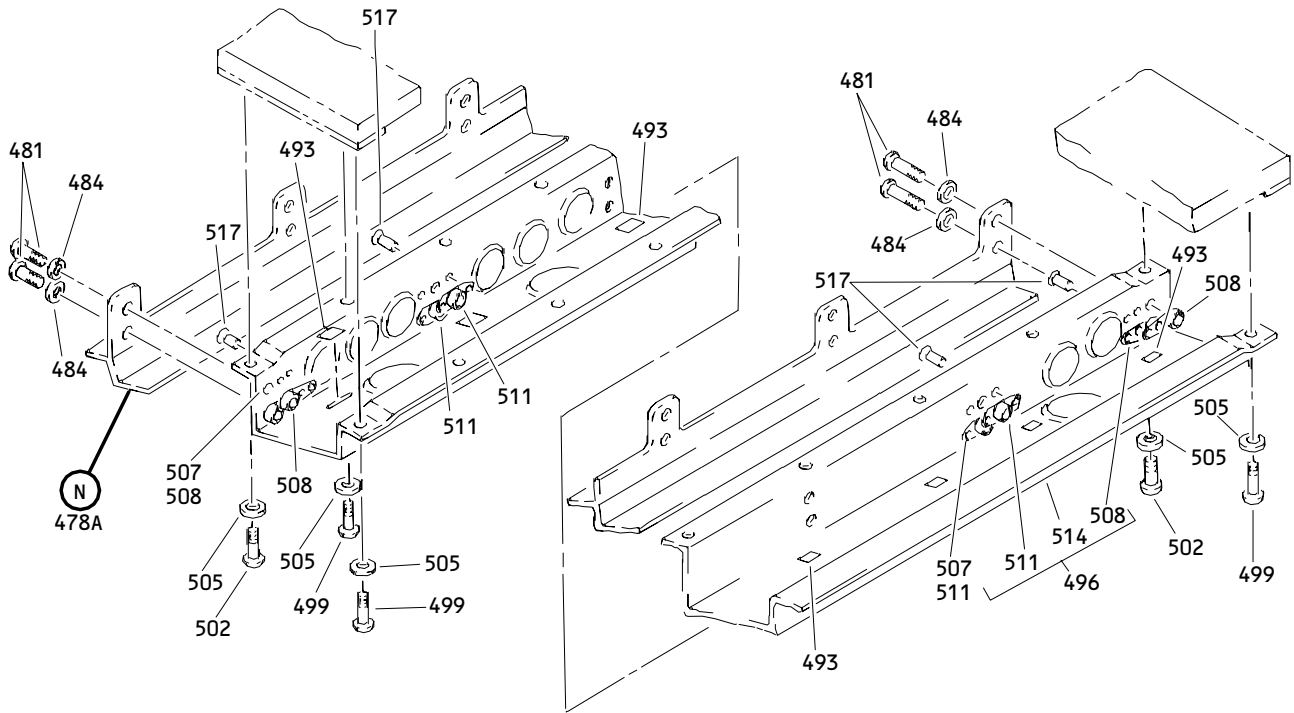
ILLUSTRATED PARTS LIST
 01.1 Page 1074Z
 Apr 01/91



Outboard Overhead Stowage 88 Inch Bin Assembly
Figure 1A (Sheet 7)

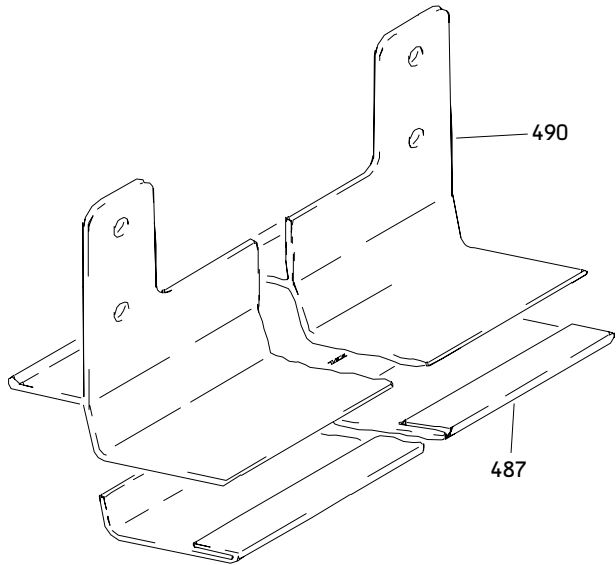
25-28-09

ILLUSTRATED PARTS LIST
01.1 Page 1075
Apr 01/91



(N)
 478A

(M)



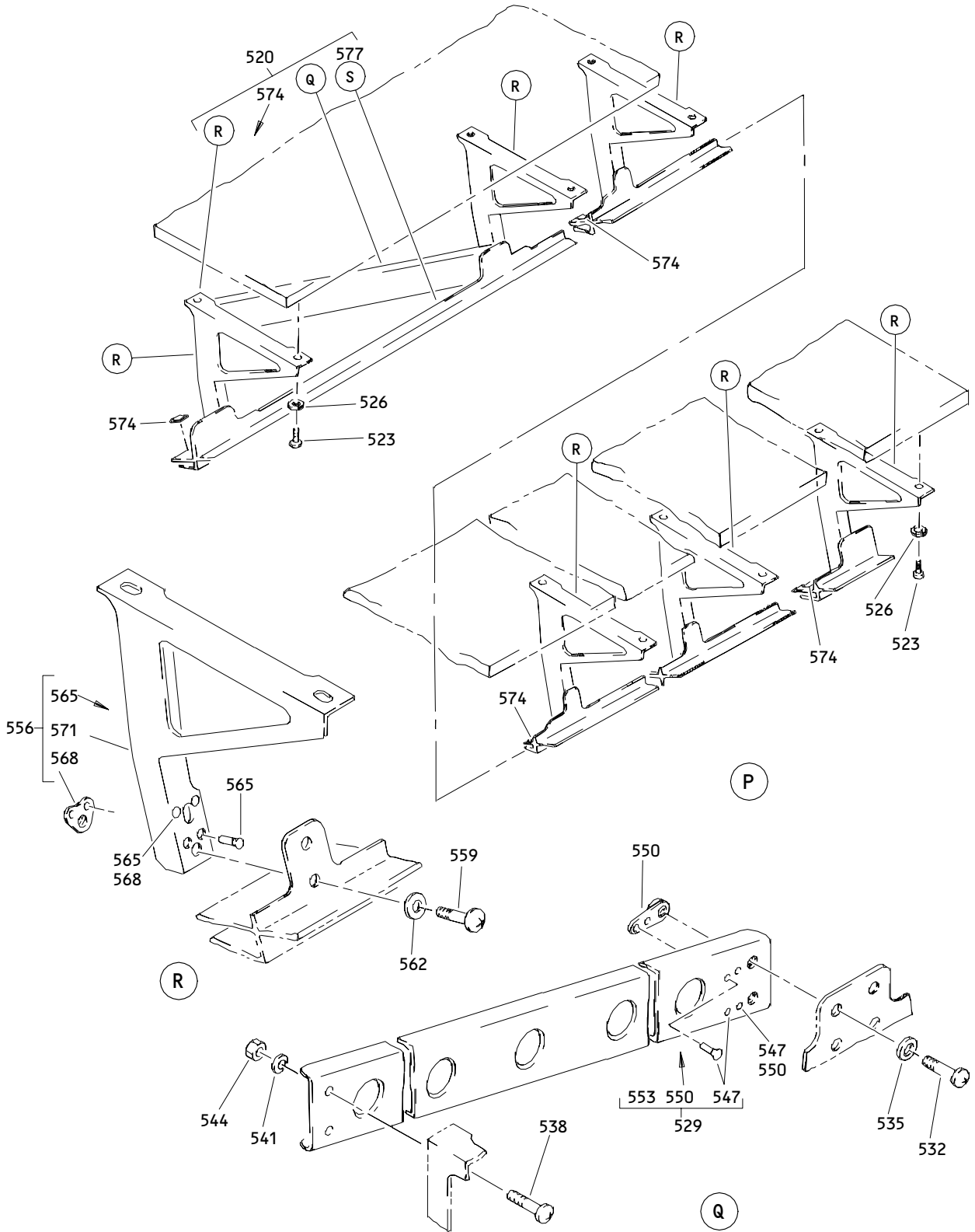
(N)

Outboard Overhead Stowage 88 Inch Bin Assembly
 Figure 1A (Sheet 8)

25-28-09

ILLUSTRATED PARTS LIST
 01.1 Page 1076
 Apr 01/91

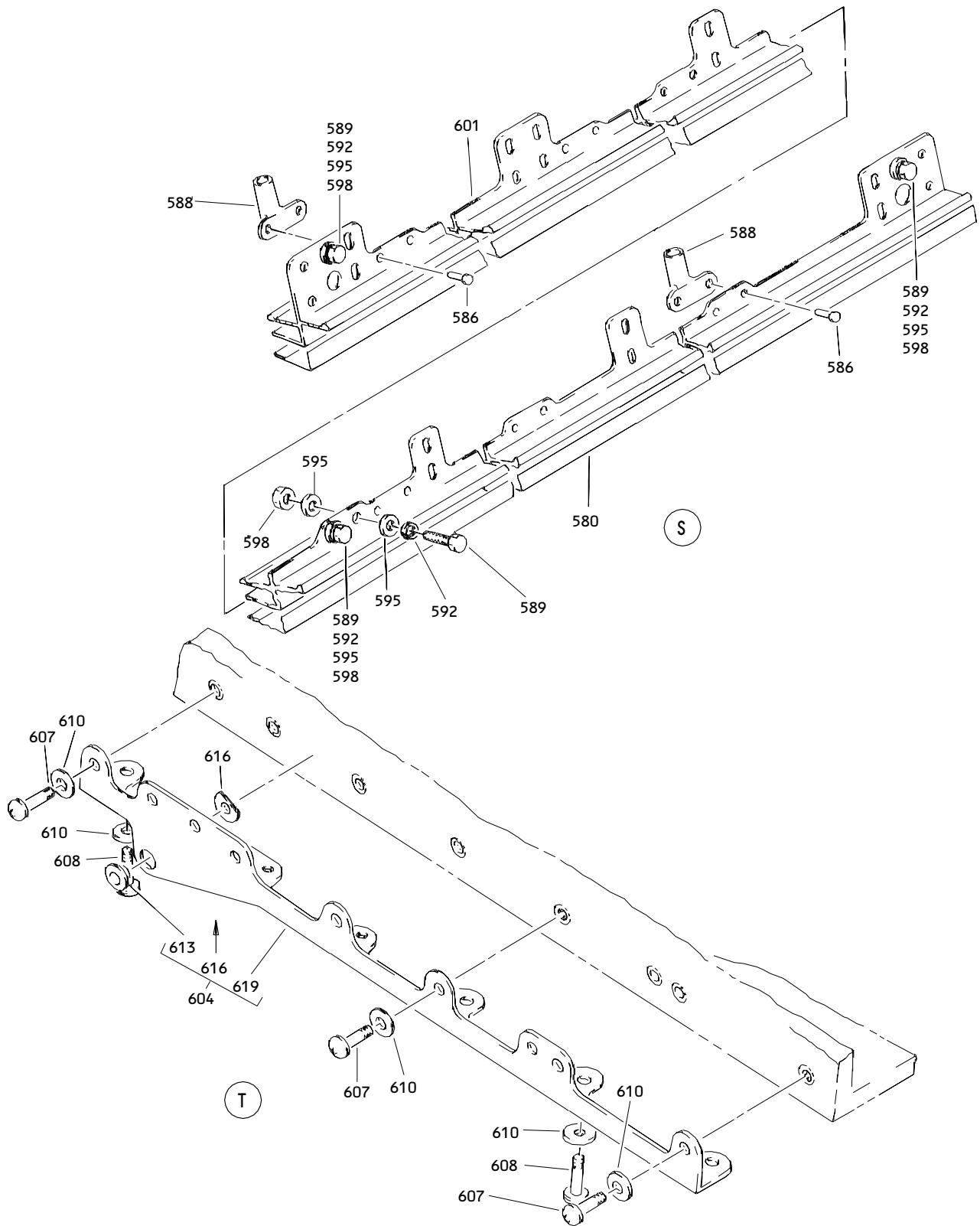
T96688



Outboard Overhead Stowage 88 Inch Bin Assembly
Figure 1A (Sheet 9)

25-28-09

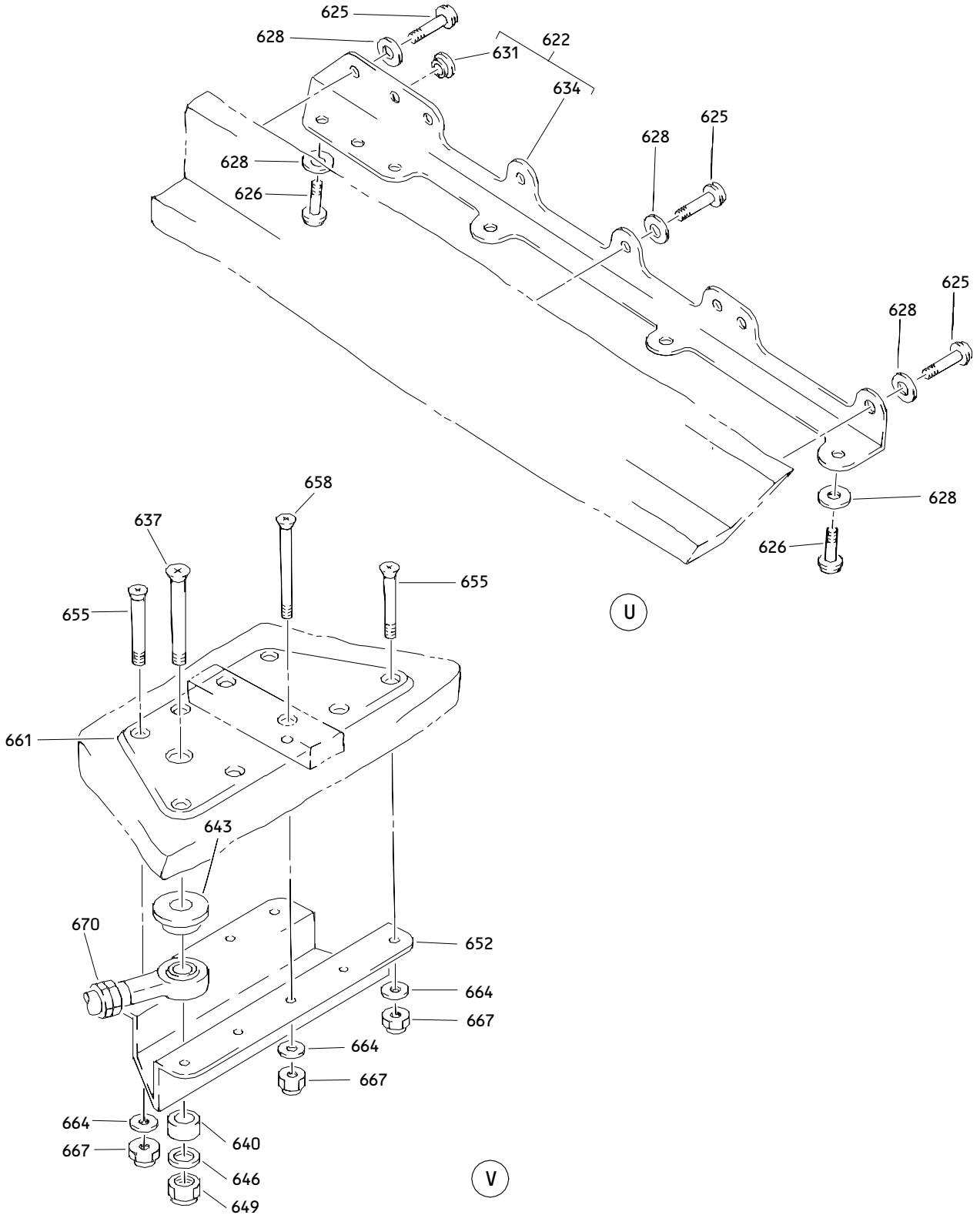
ILLUSTRATED PARTS LIST
01.1 Page 1076A
Apr 01/91



Outboard Overhead Storage 88 Inch Bin Assembly
 Figure 1A (Sheet 10)

25-28-09

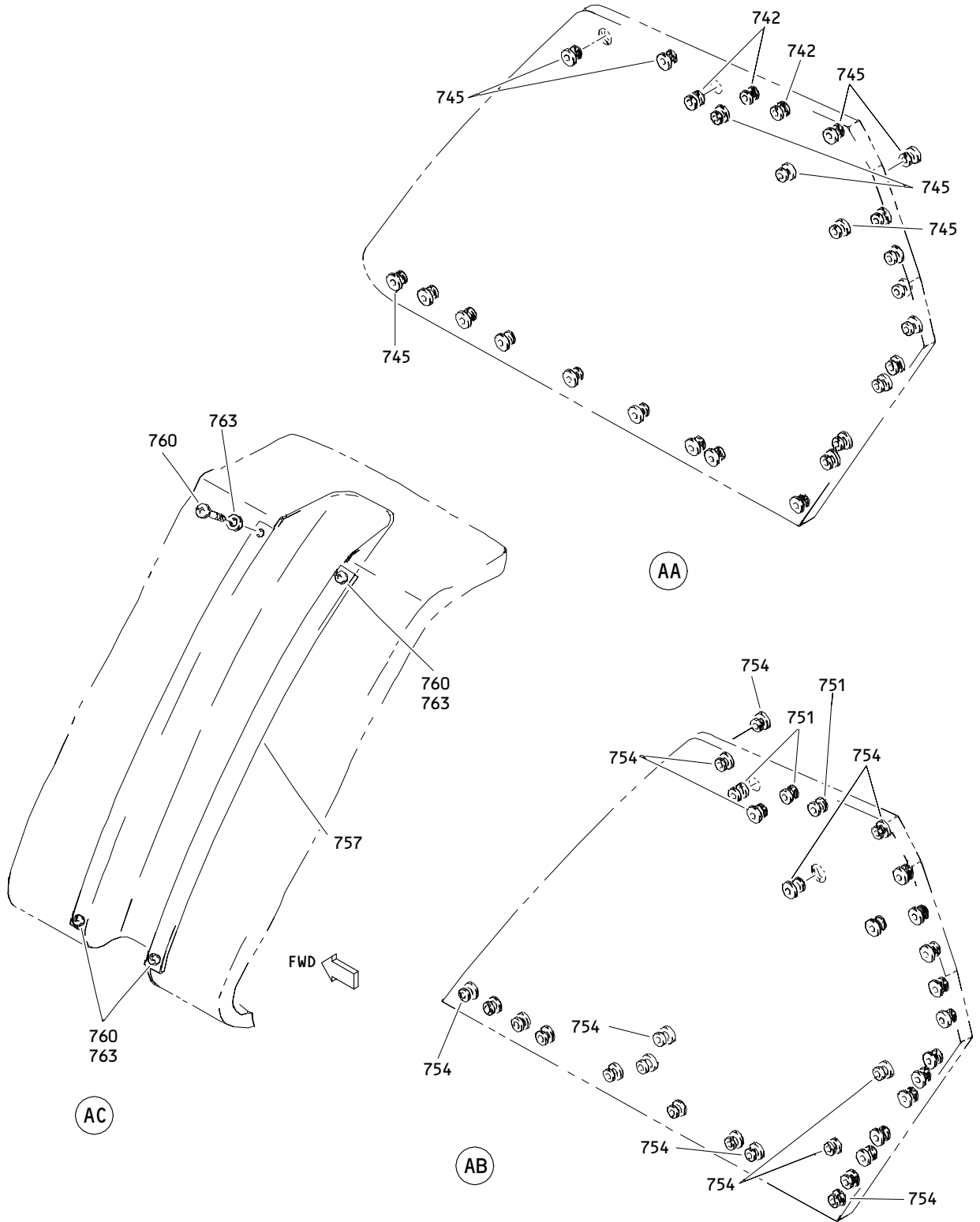
ILLUSTRATED PARTS LIST
 01.1 Page 1076B
 Apr 01/91



Outboard Overhead Stowage 88 Inch Bin Assembly
Figure 1A (Sheet 11)

25-28-09

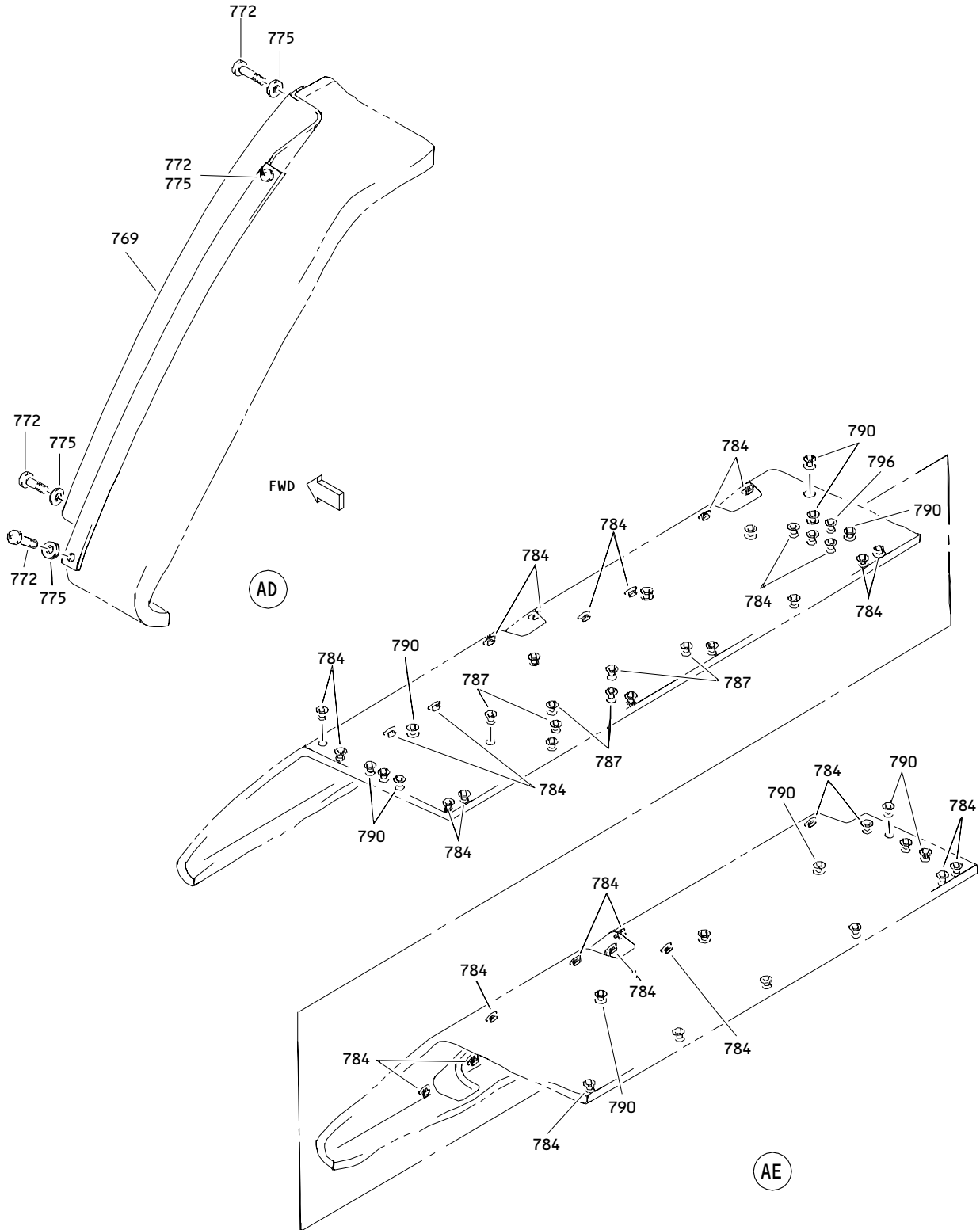
ILLUSTRATED PARTS LIST
01.1 Page 1076C
Apr 01/91



Outboard Overhead Stowage 88 Inch Bin Assembly
Figure 1A (Sheet 13)

25-28-09

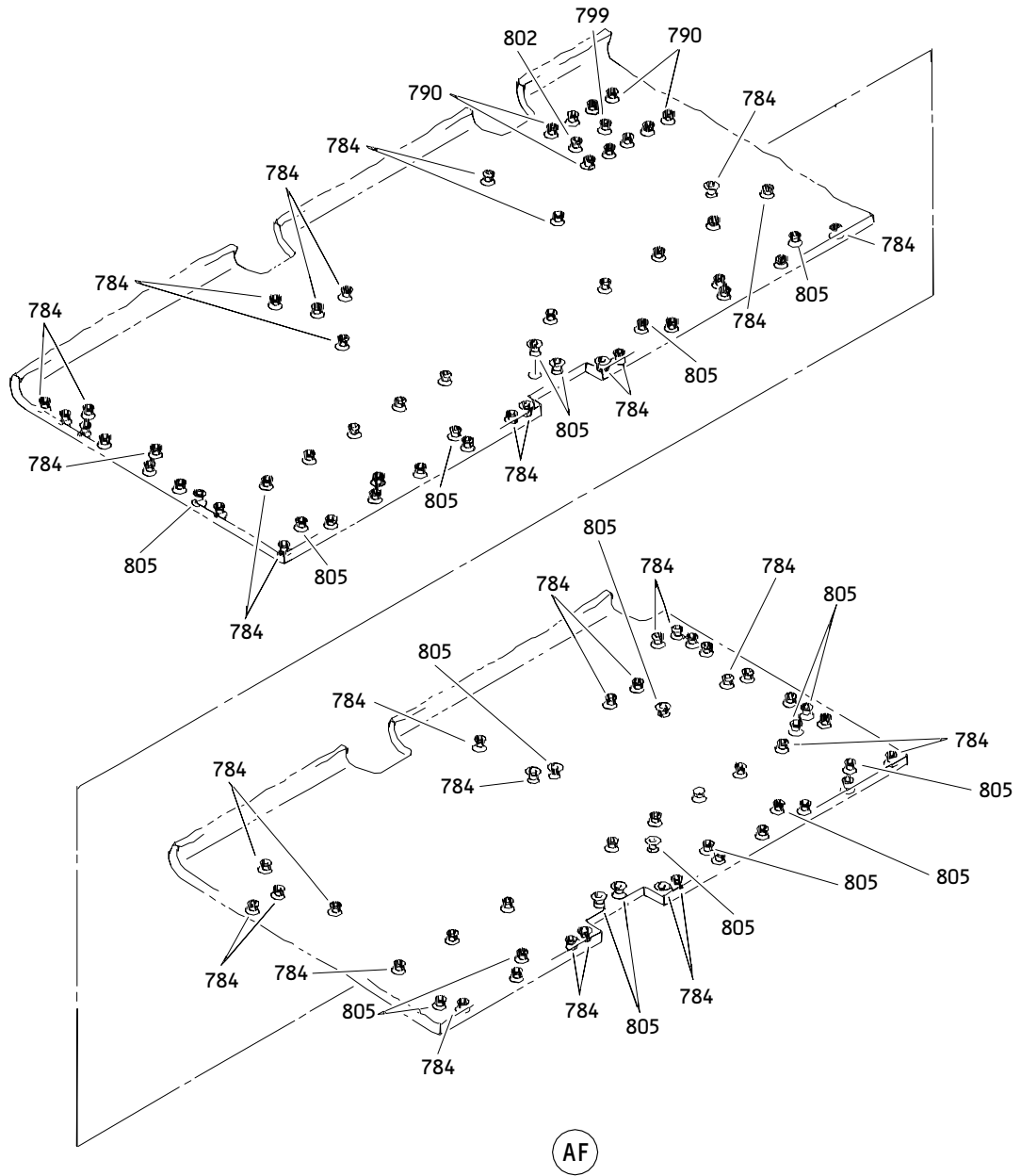
ILLUSTRATED PARTS LIST
01.1 Page 1076E
Apr 01/91



Outboard Overhead Stowage 88 Inch Bin Assembly
 Figure 1A (Sheet 14)

25-28-09

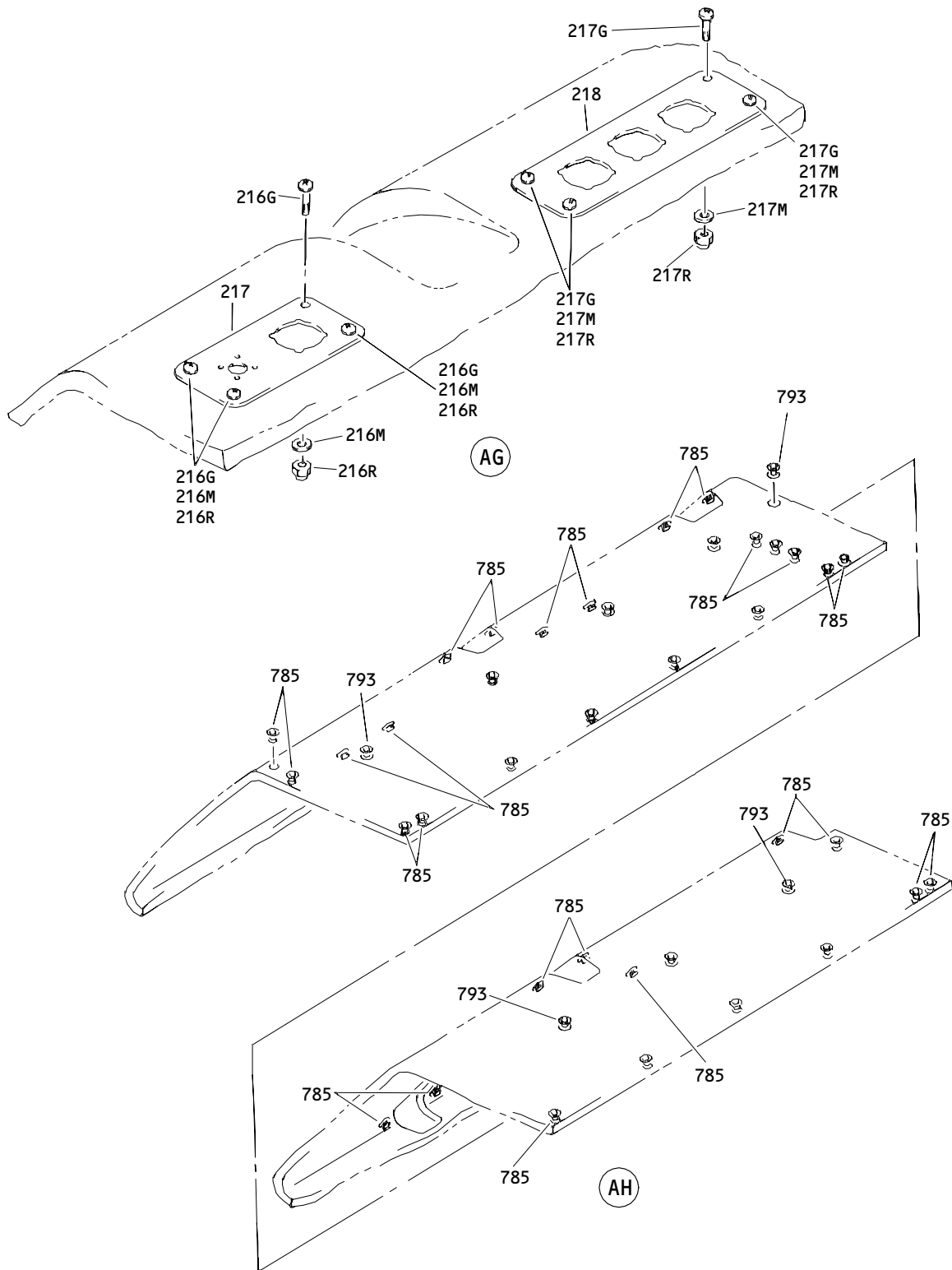
ILLUSTRATED PARTS LIST
 01.1 Page 1076F
 Apr 01/91



Outboard Overhead Stowage 88 Inch Bin Assembly
Figure 1A (Sheet 15)

25-28-09

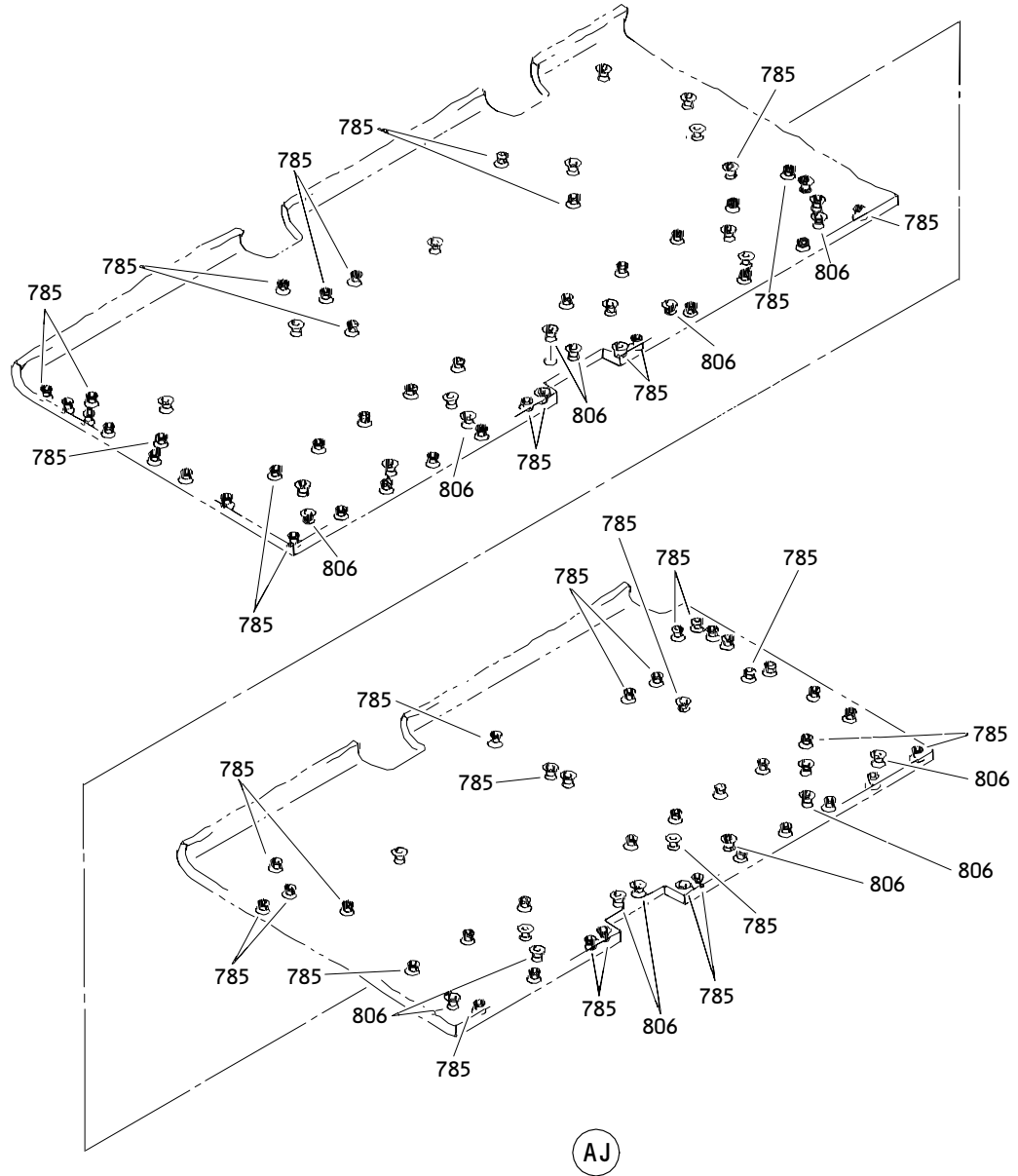
ILLUSTRATED PARTS LIST
01.1 Page 1076G
Apr 01/91



Outboard Overhead Stowage 88 Inch Bin Assembly
 Figure 1A (Sheet 16)

25-28-09

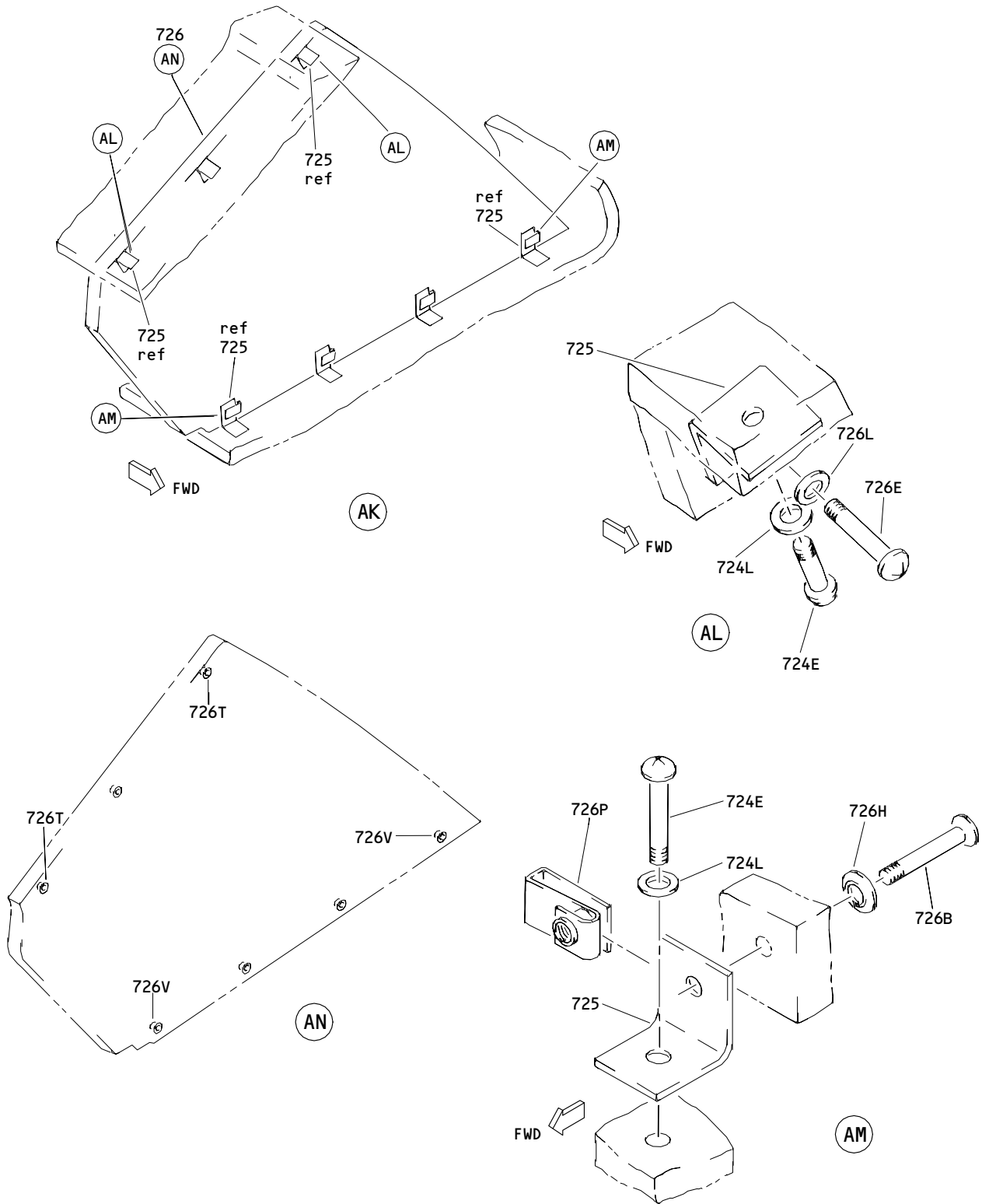
ILLUSTRATED PARTS LIST
 01.1 Page 1076H
 Apr 01/91



Outboard Overhead Stowage 88 Inch Bin Assembly
Figure 1A (Sheet 17)

25-28-09

ILLUSTRATED PARTS LIST
01.1 Page 1076I
Apr 01/91



Outboard Overhead Storage 88 Inch Bin Assembly
 Figure 1A (Sheet 18)

25-28-09

ILLUSTRATED PARTS LIST
 01.1 Page 1076J
 Apr 01/91

FIG. & ITEM	PART NO.	AIRLINE PART NUMBER	NOMENCLATURE 1234567	EFF CODE	QTY PER ASSY
1A- -1	413T1002-86SP		BIN ASSY-OUTBD OVERHEAD STOWAGE (RH)	A	RF
-1A	413T1002-175SP		BIN ASSY-OUTBD OVERHEAD STOWAGE (LH)	B	RF
3	412T3108-2		.FITTING ASSY	A	1
-4	412T3108-1		.FITTING ASSY ATTACHING PARTS	B	1
6	NAS623-3-1		.SCREW		6
9	NAS620A10L		.WASHER		6
12	NAS6603-9		.BOLT		6
15	AN960PD10L		.WASHER		12
18	H10-3BAC		.NUT- (V15653) (SPEC BACN10JC3) (OPT NS202101-02 (V80539)) (OPT RMLH9075-3W (V72962)) (OPT T6S1032J (V71087)) (OPT VN303A02 (V92215)) (OPT 96-02 (V80539)) (OPT BRH10A3 (V52828)) -----*-----		6
21	412T3108-17		..DOUBLER		1
24	BACB28AR06A024A		DELETED		
24A	BACB28X6M024		..BUSHING- (V23294) (SPEC BACB28X6M024) (OPT BACB28X6M024 (V70265)) (OPT BACB28X6M024 (V94892))		2

25-28-09

FIG. & ITEM	PART NO.	AIRLINE PART NUMBER	NOMENCLATURE 1234567	EFF CODE	QTY PER ASSY
1A-					
27	412T3108-8		..FITTING	A	1
-28	412T3108-7		..FITTING	B	1
30	NAS623-3-2		.SCREW		2
33	NAS620A10L		.WASHER		2
36	NAS514P1032-5		.SCREW		1
39	BACB30LU3-10		.BOLT- (V06710) (SPEC BACB30LU3-10) (OPT BACB30LU3-10 (V06725)) (OPT BACB30LU3-10 (V06950)) (OPT BACB30LU3-10 (V17943)) (OPT BACB30LU3-10 (V27624)) (OPT BACB30LU3-10 (V56878)) (OPT BACB30LU3-10 (V80539)) (OPT BACB30LU3-10 (V85495)) (OPT BACB30LU3-10 (V92215)) (OPT BACB30LU3-10 (V97928))		2
42	NAS620A10L		.WASHER		2
45	413T1002-19		.FILLER		4
48	H10-3BAC		.NUT- (V15653) (SPEC BACN10JC3) (OPT NS202101-02 (V80539)) (OPT RMLH9075-3W (V72962)) (OPT T6S1032J (V71087)) (OPT VN303A02 (V92215)) (OPT 96-02 (V80539)) (OPT BRH10A3 (V52828))		2

25-28-09

 ILLUSTRATED PARTS LIST
 01.1 Page 1076L
 Apr 01/91

 **BOEING**
COMPONENT
MAINTENANCE MANUAL

FIG. & ITEM	PART NO.	AIRLINE PART NUMBER	NOMENCLATURE 1234567	EFF CODE	QTY PER ASSY
1A-					
51	NAS514P1032-4		.SCREW		2
52	NAS623-3-1		.SCREW		1
53	NAS620A10L		.WASHER		1
54	412T2013-4		.FITTING		1
57	412T3108-6		.FITTING ASSY	A	1
-58	412T3108-5		.FITTING ASSY	B	1
			ATTACHING PARTS		
60	NAS6603-9		.BOLT		6
63	AN960PD10L		.WASHER		12
66	H10-3BAC		.NUT-		6
			(V15653)		
			(SPEC BACN10JC3)		
			(OPT NS202101-02		
			(V80539))		
			(OPT RMLH9075-3W		
			(V72962))		
			(OPT T6S1032J		
			(V71087))		
			(OPT VN303A02		
			(V92215))		
			(OPT 96-02		
			(V80539))		
			(OPT BRH10A3		
			(V52828))		
69	NAS623-3-1		.SCREW		4
72	NAS620A10L		.WASHER		4
			-----*		
75	BACB28X4C009		..BUSHING-		1
			(V23294)		
			(SPEC BACB28X4C009)		
			(OPT BACB28X4C009		
			(V70265))		
			(OPT BACB28X4C009		
			(V94892))		

25-28-09

ILLUSTRATED PARTS LIST
01.1 Page 1076M
Apr 01/91

FIG. & ITEM	PART NO.	AIRLINE PART NUMBER	NOMENCLATURE 1234567	EFF CODE	QTY PER ASSY
1A-78	BACB28X4C024		..BUSHING- (V23294) (SPEC BACB28X4C024) (OPT BACB28X4C024 (V70265)) (OPT BACB28X4C024 (V94892))		1
81	412T3108-12		..FITTING	A	1
-82	412T3108-11		..FITTING	B	1
84	413T1007-63SP		.DOOR ASSY- (OPT ITEM 84A)	A	2
-84A	413T1007-83SP		.DOOR ASSY- (OPT ITEM 84)	A	2
-85	413T1007-95SP		.DOOR ASSY	B	2
87	413T1028-4		..STRIKE ASSY- (OPT ITEM 87A)		1
-87A	413T1028-5		..STRIKE ASSY- (OPT ITEM 87) ATTACHING PARTS		1
90	NAS623-3-1W		..SCREW		2
93	AN960PD10L		..WASHER -----*-----		2
96	413T1093-3		...ROLLER- (USED ON ITEM 87)		1
-96A	NAS1056C3-056		...ROLLER- (USED ON ITEM 87A)		1
97	MS51859-1		...BUSHING- (USED ON ITEM 87A)		2
99	413T1028-2		...STRIKE		1
102	MS20253-2-083		...PIN-HINGE		1
105	413T1132-1		..SHIM- (USED ON ITEM 84)	A	1

25-28-09

 ILLUSTRATED PARTS LIST
 01.1 Page 1076N
 Apr 01/91

FIG. & ITEM	PART NO.	AIRLINE PART NUMBER	NOMENCLATURE 1234567	EFF CODE	QTY PER ASSY
1A-					
108	NAS514P1032-6		..SCREW		2
111	413T1010-1		..BUMPER		2
114	413T1118-3		..COVER		1
117	413T1118-4		..COVER		1
120	BMS8-133		..EDGING		1
123A	413T1007-10SP		..COVER-DECORATIVE		1
126	SL618-3A		..INSERT- (V97393)		2
129	NAS1836-3-11		..INSERT		10
129G	A2071-2		DELETED		
130	AR15T2		..CYLINDER-LOCK (V80477) (ITEM 130, ITEM 131, ITEM 131G AND ITEM 130A IS OPTIONAL TO ITEM 131R)	B	1
-130A	A2077-2		..CYLINDER-LOCK (V52607) (ITEM 130, ITEM 131, ITEM 131G, AND ITEM 130A IS OPTIONAL TO ITEM 131R)	B	1
131	AR11		..WASHER-CYL (V80477) (ITEM 130, ITEM 131, ITEM 131G AND ITEM 130A IS OPTIONAL TO ITEM 131R)	B	1
-131A	30011		DELETED		

25-28-09

ILLUSTRATED PARTS LIST
01.1 Page 10760
Apr 01/91

FIG. & ITEM	PART NO.	AIRLINE PART NUMBER	NOMENCLATURE 1234567	EFF CODE	QTY PER ASSY
1A-131G	AR292		..NUT-CYL (V80477) (ITEM 130, ITEM 131, ITEM 131G AND ITEM 130A IS OPTIONAL TO ITEM 131R)	B	1
-131R	A2077-5		..CYLINDER-LOCK (V52607) (ITEM 130, ITEM 131, ITEM 131G, AND ITEM 130A IS OPTIONAL TO ITEM 131R)	B	1
132	413T1024-2		.LATCH ASSY ATTACHING PARTS		2
135	NAS514P1032-5		.SCREW -----*-----		4
138	MS166249-5012		DELETED		
138A	MS16624-5012		..RING		4
141	413T1090-3		..PIN		1
144	413T1093-2		..ROLLER		1
147	413T1090-1		..PIN		1
150	413T1091-1		..ARM		1
153	H10-08BAC		..NUT- (V15653) (SPEC BACN10JC08) (OPT NS202101-82 (V80539)) (OPT RMLH9075-82W (V72962)) (OPT T6S832J (V71087)) (OPT VN303A82 (V92215)) (OPT 96-82 (V80539)) (OPT BRH10A08 (V52828)) (OPT T6S832J (V11815))		1
156	AN960C8		..WASHER		1
159	MS24585C93		..SPRING		1
162	413T1092-2		..BOLT		1
165	413T1030-3		..BODY		1
168	NAS623-3-1		.SCREW		8

25-28-09

 ILLUSTRATED PARTS LIST
 01.1 Page 1076P
 Jan 01/93

 **BOEING**
COMPONENT
MAINTENANCE MANUAL

FIG. & ITEM	PART NO.	AIRLINE PART NUMBER	NOMENCLATURE 1234567	EFF CODE	QTY PER ASSY
1A-					
171	NAS620A10L		.WASHER		8
174	413T1014-1		.BRACKET		1
177	NAS514P1032-5		.SCREW		3
186	413T1015-12		.BRACKET	A	1
-187	413T1015-11		.BRACKET	B	1
189A	413T1015-22		.BRACKET ASSY	A	1
-190	413T1015-21		.BRACKET ASSY	B	1
			ATTACHING PARTS		
192	NAS514P1032-5		.SCREW		1
			-----*		
195	SL6161-08-4		..STUD-		2
			(V97393)		
196	NAS42DD6-6		..SPACER		2
198A	413T1015-24		..BRACKET	A	1
-199	413T1015-23		..BRACKET	B	1
201	NAS623-3-1		.SCREW		8
204	NAS620A10L		.WASHER		8
207	413T1014-2		.BRACKET		1
210	NAS603-4P		.SCREW		4
213	NAS620A10L		.WASHER		4
216	413T1014-3		.BRACKET		2
216G	NAS623-3-7		.SCREW	B	4
216M	AN960PD10L		.WASHER	B	4
216R	H10-3BAC		.NUT-	B	4
			(V15653)		
			(SPEC BACN10JC3)		
			(OPT NS202101-02		
			(V80539))		
			(OPT RMLH9075-3W		
			(V72962))		
			(OPT T6S1032J		
			(V71087))		
			(OPT VN303A02		
			(V92215))		
			(OPT 96-02		
			(V80539))		
			(OPT BRH10A3		
			(V52828))		

25-28-09

ILLUSTRATED PARTS LIST
01.101 Page 1076Q
Jan 01/93

FIG. & ITEM	PART NO.	AIRLINE PART NUMBER	NOMENCLATURE 1234567	EFF CODE	QTY PER ASSY
1A-					
217	287T4150-11		.PLATE-DISC.	B	1
217G	NAS623-3-7		.SCREW	B	4
217M	AN960PD10L		.WASHER	B	4
217R	H10-3BAC		.NUT- (V15653) (SPEC BACN10JC3) (OPT NS202101-02 (V80539)) (OPT RMLH9075-3W (V72962)) (OPT T6S1032J (V71087)) (OPT VN303A02 (V92215)) (OPT 96-02 (V80539)) (OPT BRH10A3 (V52828))	B	4
218	287T4150-10		.PLATE-DISC.	B	1
219	413T1013-38		.PANEL ASSY-HINGE (OPT ITEMS 219A, 219B)	A	1
-219A	413T1013-202		.PANEL ASSY-HINGE (OPT ITEMS 219, 219B)	A	1
-219B	413T1136-2		.PANEL ASSY-HINGE (OPT ITEMS 219, 219A)	A	1
-220	413T1136-3		.PANEL ASSY-HINGE ATTACHING PARTS	B	1
222	NAS623-3-7		.SCREW		8
225	AN960PD10L		.WASHER -----*		8
228	413T1013-86		..TRIM-EDGE (USED ON ITEM 219)	A	2
-228A	413T1013-179		..TRIM-EDGE (USED ON ITEM 219A)	A	2

25-28-09

 ILLUSTRATED PARTS LIST
 01.1 Page 1076R
 Apr 01/91

 **BOEING**
COMPONENT
MAINTENANCE MANUAL

FIG. & ITEM	PART NO.	AIRLINE PART NUMBER	NOMENCLATURE 1234567	EFF CODE	QTY PER ASSY
1A-231	413T1013-85		..TRIM-EDGE (USED ON ITEM 219)	A	1
-231A	413T1013-180		..TRIM-EDGE (USED ON ITEM 219A)	A	1
234	413T1013-84		..TRIM-EDGE (USED ON ITEM 219)	A	2
-234A	413T1013-181		..TRIM-EDGE (USED ON ITEM 219A)	A	2
-235	413T1136-61		..TRIM-EDGE (USED ON ITEM 219B)		AR
237	NAS1801-3-5		..SCREW- (USED ON ITEMS 219A, 219B)		8
240	BACW10P183AL		..WASHER- (V10630) (SPEC BACW10P183AL) (USED ON ITEMS 219A, 219B)		8
243	A11330-8-3		..NUT- (V72962) (SPEC BACN10FX21) (OPT BRC500-8-3 (V52828)) (OPT F49322-3-21 (V15653)) (OPT SL240-3-1 (V97393)) (OPT 130061 (V60119)) (USED ON ITEMS 219A, 219B)		8

25-28-09

ILLUSTRATED PARTS LIST
01.1 Page 1076S
Apr 01/91

FIG. & ITEM	PART NO.	AIRLINE PART NUMBER	NOMENCLATURE 1234567	EFF CODE	QTY PER ASSY
1A-246	413T1014-5		..SUPPORT- (USED ON ITEMS 219A, 219B)		8
249	SL618-3A		..INSERT		24
252	NAS1836-3-11		..INSERT- (USED ON ITEMS 219, 219A)	A	4
252A	NAS1836-3-09		..INSERT- (USED ON ITEM 219B)		4
253	NAS1836-3-09		..INSERT- (USED ON ITEMS 219A, 219B)		20
254	NAS1836-3-09		..INSERT	B	3
256	NAS1836-3-11		..INSERT- (USED ON ITEM 219)	A	20
259	413T1017-7		.HINGE ASSY- (OPT ITEMS 259A, 259B) (PRE SB 767-25-0078)	A	2
-259A	413T1017-15		.HINGE ASSY- (OPT ITEMS 259, 259B) (PRE SB 767-25-0078)	A	2
-259B	413T1017-23		.HINGE ASSY- (OPT ITEMS 259, 259A) (PRE SB 767-25-0078)	A	2
-259C	413T1017-23		.HINGE ASSY- (PRE SB 767-25-0078)	B	2
-259D	9994		.HINGE ASSY- (V80477) (POST SB 767-25-0078)	A,B	2
262	413T1017-8		.HINGE ASSY- (OPT ITEMS 262A, 262B) (PRE SB 767-25-0078)	A	2
-262A	413T1017-16		.HINGE ASSY- (OPT ITEMS 262, 262B) (PRE SB 767-25-0078)	A	2
-262B	413T1017-24		.HINGE ASSY- (OPT ITEM 262, 262A) (PRE SB 767-25-0078)	A	2
-262C	413T1017-24		.HINGE ASSY- (PRE SB 767-25-0078)	B	2
-262D	9994		.HINGE ASSY- (V80477) (POST SB 767-25-0078)	A,B	2
			ATTACHING PARTS		

25-28-09

 ILLUSTRATED PARTS LIST
 01.1 Page 1076T
 Apr 01/91

FIG. & ITEM	PART NO.	AIRLINE PART NUMBER	NOMENCLATURE 1234567	EFF CODE	QTY PER ASSY
1A-265	PSFW10F6DS05WH		.SCREW- (V12324) (OPT ITEM 265A)		24
-265A	BACS12FA3C5		.SCREW- (OPT ITEM 265)		24
268	NAS1801-3-6		.SCREW		16
271A	BACW10P183AL		.WASHER- (V10630) (SPEC BACW10P183AL)		16
			-----*		
274	413T1017-9		..HINGE ASSY- (USED ON ITEM 259)	A	1
-274A	413T1017-19		..HINGE ASSY- (USED ON ITEM 259A)	A	1
-274B	413T1017-27		..HINGE ASSY- (USED ON ITEMS 259B, 259C)		1
-277	413T1017-10		..HINGE ASSY- (USED ON ITEM 262)	A	1
-277A	413T1017-20		..HINGE ASSY- (USED ON ITEM 262A)	A	1
-277B	413T1017-28		..HINGE ASSY- (USED ON ITEMS 262B, 262C)		1

25-28-09

ILLUSTRATED PARTS LIST
01.1 Page 1076U
Apr 01/91

FIG. & ITEM	PART NO.	AIRLINE PART NUMBER	NOMENCLATURE 1234567	EFF CODE	QTY PER ASSY
1A-280	413T1086-13		...HOUSING-CAM (USED ON ITEMS 274, 274B) (OPT ITEM 280F)		1
280A	413T1086-19		...HOUSING ASSY-CAM (USED ON ITEMS 274, 274A) (OPT ITEM 280G)	A	1
-280B	413T1086-14		...HOUSING-CAM (USED ON ITEMS 277, 277B) (OPT ITEM 280H)		1
-280C	413T1086-20		...HOUSING ASSY-CAM (USED ON ITEM 277) (OPT ITEM 280J)	A	1
-280D	413T1086-19		...HOUSING ASSY-CAM (USED ON ITEM 274A)	A	1
-280E	413T1086-20		...HOUSING ASSY-CAM (USED ON ITEM 277A)	A	1
-280F	413T1086-31		...HOUSING-CAM (USED ON ITEMS 274, 274B) (OPT ITEM 280)		1
-280G	413T1086-31		...HOUSING-CAM (USED ON ITEM 274) (OPT ITEM 280A)	A	1
-280H	413T1086-32		...HOUSING-CAM (USED ON ITEMS 277, 277B) (OPT ITEM 280B)		1
-280J	413T1086-32		...HOUSING-CAM (USED ON ITEM 277) (OPT ITEM 280C)	A	1

25-28-09

 ILLUSTRATED PARTS LIST
 01.1 Page 1076V
 Apr 01/91

FIG. & ITEM	PART NO.	AIRLINE PART NUMBER	NOMENCLATURE 1234567	EFF CODE	QTY PER ASSY
1A- 01A- 283	BACB30LH3PU28		...BOLT- (V06710) (SPEC BACB30LH3PU28) (OPT BACB30LH3PU28 (V06725)) (OPT BACB30LH3PU28 (V06950)) (OPT BACB30LH3PU28 (V08524)) (OPT BACB30LH3PU28 (V17943)) (OPT BACB30LH3PU28 (V27624)) (OPT BACB30LH3PU28 (V80539)) (OPT BACB30LH3PU28 (V92215)) (OPT BACB30LH3PU28 (V97928))		1
286	BACB30LH3PU22		...BOLT- (V06710) (SPEC BACB30LH3PU22) (OPT BACB30LH3PU22 (V06725)) (OPT BACB30LH3PU22 (V06950)) (OPT BACB30LH3PU22 (V08524)) (OPT BACB30LH3PU22 (V17943)) (OPT BACB30LH3PU22 (V27624)) (OPT BACB30LH3PU22 (V80539)) (OPT BACB30LH3PU22 (V92215)) (OPT BACB30LH3PU22 (V97928))		2
289	413T1086-21	DOUBLER- (USED ON ITEMS 280A, 280C, 280D, 280E)	A	1
290	413T1086-1	HOUSING- (USED ON ITEMS 280A, 280D)	A	1

25-28-09

FIG. & ITEM	PART NO.	AIRLINE PART NUMBER	NOMENCLATURE 1234567	EFF CODE	QTY PER ASSY
1A- -290G	413T1086-2	HOUSING- (USED ON ITEMS 280C, 280E)	A	1
292	NAS43DD3-30		...SPACER		1
295	5S1-6		...STUD- (V71286)		1
298	5S3-2		...WASHER- (V71286)		1
301	413T1086-7		...DOOR		1
304	413T1083-3		...SCREW- (USED ON ITEMS 274, 277)	A	1
-307	413T1083-10		...SCREW- (USED ON ITEMS 274A, 274B, 277A, 277B)		1
310	413T1083-2		...SCREW- (USED ON ITEMS 274, 277)	A	1
-313	413T1083-9		...SCREW- (USED ON ITEMS 274A, 274B, 277A, 277B)		1
316	NAS1515M3L		...WASHER		2
319	413T1085-4		...ROLLER		2
322	413T1085-3		...ROLLER		1
325	413T1023-1		...ACTUATOR ASSY- (USED ON ITEMS 274, 274A, 274B)		1
-328	413T1023-2		...ACTUATOR ASSY- (USED ON ITEMS 277, 277A, 277B)		1
331	MS21209F4-10	INSERT		1
334	NAS77A3-24N	BUSHING		1

25-28-09

 ILLUSTRATED PARTS LIST
 01.1 Page 1076X
 Apr 01/91



BOEING
COMPONENT
MAINTENANCE MANUAL

FIG. & ITEM	PART NO.	AIRLINE PART NUMBER	NOMENCLATURE 1234567	EFF CODE	QTY PER ASSY
1A-337	NAS77A3-68N	BUSHING		1
340	413T1023-3	ACTUATOR- (USED ON ITEM 325)		1
-343	413T1023-4	ACTUATOR- (USED ON ITEM 328)		1
346	413T1022-7		...FOLLOWER ASSY-CAM (USED ON ITEM 274)	A	1
-346A	413T1022-7		...FOLLOWER ASSY-CAM (USED ON ITEM 274A) (OPT TO ITEM 349)		1
-346B	413T1022-7		...FOLLOWER ASSY-CAM (OPT ITEM 346D) (USED ON ITEM 274B)		1
-346C	413T1022-11		...FOLLOWER ASSY-CAM (OPT ITEM 346D) (USED ON ITEM 274B)		1
-346D	413T1022-19		...FOLLOWER ASSY-CAM (OPT ITEMS 346B, 346C) (USED ON ITEM 274B)		1
-349	413T1022-11		...FOLLOWER ASSY-CAM (USED ON ITEM 274A) (OPT TO ITEM 346A)		1
-349A	413T1022-8		...FOLLOWER ASSY-CAM (USED ON ITEM 277)	A	1
-352	413T1022-12		...FOLLOWER ASSY-CAM (USED ON ITEM 277A) (OPT ITEM 352B)		1
-352B	413T1022-8		...FOLLOWER ASSY-CAM (USED ON ITEM 277A) (OPT ITEM 352)		1
-352C	413T1022-8		...FOLLOWER ASSY-CAM (OPT ITEM 352E) (USED ON ITEM 277B)		1
-352D	413T1022-12		...FOLLOWER ASSY-CAM (OPT ITEM 352E) (USED ON ITEM 277B)		1
-352E	413T1022-20		...FOLLOWER ASSY-CAM (OPT ITEMS 352C, 352D) (USED ON ITEM 277B)		1

25-28-09

ILLUSTRATED PARTS LIST
01.1 Page 1076Y
Apr 01/91

FIG. & ITEM	PART NO.	AIRLINE PART NUMBER	NOMENCLATURE 1234567	EFF CODE	QTY PER ASSY
1A-					
355	NAS76A3-009N	BUSHING		1
358	MS21209C0610	INSERT- (USED ON ITEMS 346, 346A, 346B, 349A, 352B, 352C)		1
361	413T1022-9	FOLLOWER- (USED ON ITEMS 346, 346A, 346B)		1
-364	413T1022-13	FOLLOWER- (USED ON ITEMS 349, 346C)		1
-367	413T1022-10	FOLLOWER- (USED ON ITEMS 349A, 352B)		1
-367A	413T1022-14	FOLLOWER- (USED ON ITEM 352)		1
-367B	413T1022-17	FOLLOWER- (USED ON ITEM 346D)		1
-367C	413T1022-18	FOLLOWER- (USED ON ITEM 352E)		1
370	NAS601-3		...SCREW		2
373	MS35338-136		...WASHER		2
376	413T1083-5		...NUT		2
378	413T1087-1		...BRACKET		1
379	413T1020-1		...ARM ASSY-UPR (USED ON ITEMS 274, 277)	A	1
-379A	413T1020-1		...ARM ASSY-UPR (USED ON ITEMS 274A, 274B, 277A, 277B) (OPT ITEM 382)		1
-382	413T1020-4		...ARM ASSY-UPR (USED ON ITEMS 274A, 274B, 277A, 277B) (OPT ITEM 379A)		1
385	NAS77A3-15N	BUSHING		2

25-28-09

 ILLUSTRATED PARTS LIST
 01.1 Page 1076Z
 Apr 01/91

 **BOEING**
COMPONENT
MAINTENANCE MANUAL

FIG. & ITEM	PART NO.	AIRLINE PART NUMBER	NOMENCLATURE 1234567	EFF CODE	QTY PER ASSY
1A-391	413T1020-2	ARM- (USED ON ITEMS 379, 379A)		1
-391A	413T1020-5	ARM- (USED ON ITEM 382)		1
394	413T1083-6		...SCREW- (USED ON ITEMS 274, 277)	A	1
-394A	413T1083-11		...SCREW- (USED ON ITEMS 274A, 274B, 277A, 277B)		1
397	NAS1515M3L		...WASHER		2
400	413T1084-1		...SHAFT		1
403	413T1021-1		...ARM ASSY-LWR		1
406	NAS77A3-15N	BUSHING		4
409	NAS76A3-077	BUSHING		4
-409A	NAS76A3-007N	BUSHING		1
412	413T1021-2	ARM		1
415	413T1083-8		...SCREW		1
418	413T1086-9		...SUPPORT ASSY-SPR (USED ON ITEMS 274, 274A)		1
-418A	413T1086-9		...SUPPORT ASSY-SPR (OPT ITEM 421B) (USED ON ITEM 274B)		1
421	413T1086-10		...SUPPORT ASSY-SPR (USED ON ITEMS 277, 277A)		1
-421A	413T1086-10		...SUPPORT ASSY-SPR (OPT ITEM 421B) (USED ON ITEM 277B)		1
-421B	413T1086-36		...SUPPORT ASSY-SPR (OPT ITEM 421A) (USED ON ITEM 277B)		1
424	UI19136-2B8	INSERT- (V07757) (OPT ITEM 424A)		1
-424A	6035-04BR0219	INSERT- (V01556) (OPT ITEM 424)		1
427	413T1086-11	SUPPORT- (USED ON ITEMS 418, 418A)		1
-427A	413T1086-37	SUPPORT- (USED ON ITEM 418B)		1

25-28-09

ILLUSTRATED PARTS LIST
01.1 Page 1077
Apr 01/91

FIG. & ITEM	PART NO.	AIRLINE PART NUMBER	NOMENCLATURE 1234567	EFF CODE	QTY PER ASSY
1A- -430	413T1086-12	SUPPORT- (USED ON ITEMS 421, 421A)		1
-430A	413T1086-38	SUPPORT- (USED ON ITEM 421B)		1
433	413T1086-3		...HOUSING ASSY-SPR (USED ON ITEMS 274, 274A, 274B) (OPT ITEM 433A)		1
-433A	413T1086-15		...HOUSING ASSY-SPR (USED ON ITEMS 274, 274A, 274B) (OPT ITEM 433)		1
-436	413T1086-4		...HOUSING ASSY-SPR (USED ON ITEMS 277, 277A, 277B) (OPT ITEM 436A)		1
-436A	413T1086-16		...HOUSING ASSY-SPR (USED ON ITEMS 277, 277A, 277B) (OPT ITEM 436)		1
439	UI19136-2B8	INSERT- (V07757) (OPT ITEM 439A)		1
-439A	6035-04BR0219	INSERT- (V01556) (OPT ITEM 439)		1
442	UI19136-6B8	INSERT- (V07757) (OPT ITEM 442A)		3
-442A	6041-3BR0375	INSERT- (V01556) (OPT ITEM 442)		3

25-28-09

 ILLUSTRATED PARTS LIST
 01.1 Page 1078
 Apr 01/91

 **BOEING**
COMPONENT
MAINTENANCE MANUAL

FIG. & ITEM	PART NO.	AIRLINE PART NUMBER	NOMENCLATURE 1234567	EFF CODE	QTY PER ASSY
1A-445	413T1086-5	HOUSING- (USED ON ITEM 433)		1
-448	413T1086-6	HOUSING- (USED ON ITEM 436)		1
-448A	413T1086-18	HOUSING- (USED ON ITEM 436A)		1
451	413T1017-3		...RECEPTACLE ASSY ATTACHING PARTS		1
454	NAS1352C04LB4		...SCREW -----*-----		2
457	5R3-1	RECEPTACLE- (V71286)		1
460	F1313		..SPRING ASSY-GAS (V55787) (SPEC S413T301-2)		1
463	412T2014-1		.FITTING ASSY ATTACHING PARTS		2
466	NAS623-3-2		.SCREW		4
469	NAS620A10L		.WASHER -----*-----		4
472A	BCREFA0486		DELETED		
472B	BACB28X4M050		..BUSHING- (V23294) (SPEC BACB28X4M050) (OPT BACB28X4M050 (V70265)) (OPT BACB28X4M050 (V94892))		1
475	412T2014-2		..FITTING		1
478A	412T1004-1SP		.RAIL ASSY ATTACHING PARTS		1
481	NAS6603-2		.BOLT		22
484	AN960KD10L		.WASHER -----*-----		22

25-28-09

ILLUSTRATED PARTS LIST
01.1 Page 1078A
Apr 01/91

FIG. & ITEM	PART NO.	AIRLINE PART NUMBER	NOMENCLATURE 1234567	EFF CODE	QTY PER ASSY
1A-					
487	412T1004-17SP		..SURFACE-DECORTIVE		1
490A	412T1004-9		..RAIL		1
493	2055051		.RETAINER- (V04169)		10
496	413T1081-1		.CHANNEL ASSY ATTACHING PARTS		1
499	NAS623-3-1		.SCREW		38
502	NAS623-3-3		.SCREW		2
505	NAS620A10L		.WASHER		40
			-----*		
507	AF5171-3-2		..RIVET- (V53551) (SPEC BACR15DR3-2) (OPT CCR264SS3-2 (V11815)) (OPT RV571A3-2 (V98996))		52
508	BRF100A3		..NUTPLATE- (V52828) (SPEC BACN10KB3F) (OPT F2000-3 (V15653)) (OPT RMF9207-3 (V72962)) (OPT T8114S1032S (V11815)) (OPT VN151A1-02 (V92215)) (OPT F2000-3 (V15653))		4

25-28-09

 ILLUSTRATED PARTS LIST
 01.1 Page 1078B
 Apr 01/91

FIG. & ITEM	PART NO.	AIRLINE PART NUMBER	NOMENCLATURE 1234567	EFF CODE	QTY PER ASSY
1A-511	F5000-3BAC		..NUTPLATE- (V15653) (SPEC BACN10JR3F) (OPT NS103203-02 (V80539)) (OPT RMF9201-3 (V72962)) (OPT T8091S1032 (V11815)) (OPT VN152A1-02 (V92215)) (OPT BRF200A3 (V52828))		22
514	413T1081-6		..CHANNEL		1
520	412T1000-2SP		.RAIL AND BRACKET ASSY- PASS. SVCE UNIT/SIDEWALL SPRT	A	1
-521	412T1000-1SP		.RAIL AND BRACKET ASSY- PASS. SVCE UNIT/SIDEWALL SPRT	B	1
523	NAS1801-3-5		ATTACHING PARTS .SCREW		12
526	NAS620A10L		.WASHER		12
529	412T1001-2		-----*----- ..CHANNEL ASSY ATTACHING PARTS	A	1
532	NAS6603-3		..BOLT		2
535	AN960PD10		..WASHER		2
538	NAS623-2-2		..SCREW		2

25-28-09

FIG. & ITEM	PART NO.	AIRLINE PART NUMBER	NOMENCLATURE 1234567	EFF CODE	QTY PER ASSY
1A- 541 544	AN960PD8L H10-08BAC		..WASHER ..NUT- (V15653) (SPEC BACN10JC08) (OPT NS202101-82 (V80539)) (OPT RMLH9075-82W (V72962)) (OPT T6S832J (V71087)) (OPT VN303A82 (V92215)) (OPT 96-82 (V80539)) (OPT BRH10A08 (V52828)) (OPT T6S832J (V11815)) -----*-----		2 2
547	BACR15BA3AD		...RIVET- (SIZE DETERMINE ON INST)		4
550	BRM100A3		...NUTPLATE- (V52828) (SPEC BACN10JP3B) (OPT MK2000-3BAC (V15653)) (OPT NS103198-02 (V80539)) (OPT RMA9207-3 (V72962)) (OPT T8077S1032 (V11815)) (OPT VN201A1-02 (V92215))		2

25-28-09

 ILLUSTRATED PARTS LIST
 01.1 Page 1078D
 Apr 01/91

 **BOEING**
COMPONENT
MAINTENANCE MANUAL

FIG. & ITEM	PART NO.	AIRLINE PART NUMBER	NOMENCLATURE 1234567	EFF CODE	QTY PER ASSY
1A-					
553	412T1001-8		...CHANNEL	A	1
-554	412T1001-7		...CHANNEL	B	1
556	412T1003-1		..BRACKET ASSY	A	6
-557	412T1003-2		..BRACKET ASSY ATTACHING PARTS	B	6
559	NAS6603-3		..BOLT		12
562	AN960PD10		..WASHER -----*-----		12
565	BACR15BA3AD		...RIVET- (SIZE DETERMINE ON INST)		4
568	BRM300A3		...NUTPLATE- (V52828) (SPEC BACN10JP3C) (OPT MK3000-3BAC (V15653)) (OPT NS103199-02 (V80539)) (OPT RMA9205M3 (V72962)) (OPT T8078S1032 (V11815)) (OPT VN203A1-02 (V92215))		2
571A	412T1003-3		...BRACKET	A	1
-572	412T1003-4		...BRACKET	B	1
574	2055144		..RETAINER- (V04169)		14
577	412T1002-2SP		..RAIL ASSY	A	1
-578	412T1002-1SP		..RAIL ASSY	B	1
580	412T1002-17SP		...SURFACE-DECORATIVE		1
586	BACR15BB4AD		...RIVET- (SIZE DETERMINE ON INST)		12
588	WS1-332A8		...NUTPLATE- (V04169) (SPEC BACN10GH3A8)		6

25-28-09

ILLUSTRATED PARTS LIST
01.1 Page 1078E
Apr 01/91

FIG. & ITEM	PART NO.	AIRLINE PART NUMBER	NOMENCLATURE 1234567	EFF CODE	QTY PER ASSY
1A-					
589	NAS1801-3-12		...SCREW		4
592	MS35338-43		...WASHER		4
595	AN960D10L		...WASHER		8
598	MS35650-305S		...NUT		4
601	412T1002-10		...RAIL	A	1
-602	412T1002-9		...RAIL	B	1
604	412T3109-2		.FITTING ASSY	A	1
-605	412T3109-1		.FITTING ASSY	B	1
			ATTACHING PARTS		
607	NAS623-3-1		.SCREW		7
608	NAS623-3-3		.SCREW		7
610	NAS620A10L		.WASHER		14
			-----*-----		
613	BACB28AR06A024A		..BUSHING-		1
			(V09455)		
			(SPEC BACB28AR06A024A)		
			(OPT BACB28AR06A024A		
			(V15860))		
			(OPT BACB28AR06A024A		
			(V50294))		
			(OPT BACB28AR06A024A		
			(V73134))		
			(OPT BACB28AR06A024A		
			(V77896))		
			(OPT BACB28AR06A024A		
			(V97613))		
616	412T3109-21		..DOUBLER		1
619	412T3109-12		..FITTING	A	1
-620	412T3109-11		..FITTING	B	1
622	412T3109-6		.FITTING ASSY	A	1
-623	412T3109-5		.FITTING ASSY	B	1
			ATTACHING PARTS		
625	NAS623-3-1		.SCREW		6
626	NAS623-3-3		.SCREW		6
628	NAS620A10L		.WASHER		12
			-----*-----		
631	BACB28X4C005		..BUSHING-		1
			(V23294)		
			(SPEC BACB28X4C005)		
			(OPT BACB28X4C005		
			(V70265))		
			(OPT BACB28X4C005		
			(V94892))		

25-28-09

 ILLUSTRATED PARTS LIST
 01.1 Page 1078F
 Apr 01/91

FIG. & ITEM	PART NO.	AIRLINE PART NUMBER	NOMENCLATURE 1234567	EFF CODE	QTY PER ASSY
1A- 634	412T3109-16		..FITTING	A	1
-635	412T3109-15		..FITTING	B	1
637	HL19PB10-24		.BOLT- (V56878) (SPEC BACB30FN10-24) (OPT HL19PB10-24 (V73197)) (OPT HL19PB10-24 (V92215)) (OPT HL19PB10-24 (V97928)) (OPT 62547-10-24 (V56878)) (OPT HL19PB10-24 (V80539)) (OPT WC2510-24 (V60516)) (OPT HL19PB10-24 (V60516)) (OPT HL19PB10-24 (V08524))		1
640	BACB28Z5-025		.BUSHING- (V23294) (SPEC BACB28Z5-025) (OPT BACB28Z5-025 (V70265)) (OPT BACB28Z5-025 (V94892))		1
643	412T2047-1		.SPACER		1
646	AN960C516		.WASHER		1
649	H01-5BAC		.NUT- (V15653) (SPEC BACN10JC5CM) (OPT T6C524JM (V11815)) (OPT 109LH9075-5W (V72962)) (OPT 97E054 (V80539))		1

25-28-09

FIG. & ITEM	PART NO.	AIRLINE PART NUMBER	NOMENCLATURE 1234567	EFF CODE	QTY PER ASSY
1A- 652 655	412T2013-3 BACB30LU3-9		.FITTING .BOLT- (V06710) (SPEC BACB30LU3-9) (OPT BACB30LU3-9 (V06725)) (OPT BACB30LU3-9 (V06950)) (OPT BACB30LU3-9 (V17943)) (OPT BACB30LU3-9 (V27624)) (OPT BACB30LU3-9 (V56878)) (OPT BACB30LU3-9 (V80539)) (OPT BACB30LU3-9 (V85495)) (OPT BACB30LU3-9 (V92215)) (OPT BACB30LU3-9 (V97928))		1 8
658 661 -662 664 667	NAS514P1032-18 412T2046-4 412T2046-3 AN960KD10L H10-3BAC		.SCREW .DOUBLER .DOUBLER .WASHER .NUT- (V15653) (SPEC BACN10JC3) (OPT NS202101-02 (V80539)) (OPT RMLH9075-3W (V72962)) (OPT T6S1032J (V71087)) (OPT VN303A02 (V92215)) (OPT 96-02 (V80539)) (OPT BRH10A3 (V52828))	A B	1 1 1 9 9

25-28-09

 ILLUSTRATED PARTS LIST
 01.1 Page 1078H
 Apr 01/91



BOEING
COMPONENT
MAINTENANCE MANUAL

FIG. & ITEM	PART NO.	AIRLINE PART NUMBER	NOMENCLATURE 1234567	EFF CODE	QTY PER ASSY
1A-670	412T2010-1		.TIE ASSY-TNSN (OPT ITEM 670A)		1
-670A	1281-1		.TIE ASSY-TNSN (V34742) (OPT ITEM 512)		1
673	412T2010-2		..TUBE- (USED ON ITEM 670)		1
676	412T2010-3		..PAD- (USED ON ITEM 670)		1
679	412T2011-1		..FITTING ASSY- (USED ON ITEM 670)		1
682	SALPYT6-16		..BOLT- (V11815) (SPEC BACB30GW6-16) (OPT SALPYT6-16 (V29666)) (OPT SALPYT6-16 (V17446))		2
685	2DCC6		..COLLAR- (V11815) (SPEC BACC30K6) (OPT 2DCC6 (V17446)) -----*		2
688	HU4-134		...BEARING- (V02758) (SPEC BACB10AB4) (OPT ABW4V5 (V50294)) (OPT AB4VCRG (V15860)) (OPT BSSR4804 (V81376)) (OPT KWB4-20CRG (V97613)) (OPT WG4E (V73134)) (OPT 55282 (V09455)) (OPT WC4G1 (V56644))		1

25-28-09

ILLUSTRATED PARTS LIST
01.1 Page 1078I
Apr 01/91

FIG. & ITEM	PART NO.	AIRLINE PART NUMBER	NOMENCLATURE 1234567	EFF CODE	QTY PER ASSY
1A-					
691	412T2011-2		...FITTING		1
694	10-60779-112L		..BEARING-ROD END (USED ON ITEM 670)		1
697	412T2012-2		..NUT- (USED ON ITEM 670)		1
700	412T2012-1		..SLEEVE- (USED ON ITEM 670)		1
703	AN316-6L		..NUT- (USED ON ITEM 670)		1
706	413T1095-6		.RETAINER ASSY- (OPT ITEM 706A)		1
-706A	413T1095-8		.RETAINER ASSY- (OPT ITEM 706)		1
709	NAS514P1032-9		ATTACHING PARTS .SCREW -----*		1
712	413T1095-5		..PLUG		1
715	BACS18K10-18W		..SPACER- (V08073) (SPEC BACS18K10-18W) (USED ON ITEM 706)		1
-715A	BACS18K10-18		..SPACER- (USED ON ITEM 706A)		1
718	BACS18K10-23W		..SPACER- (V08073) (SPEC BACS18K10-23W) (USED ON ITEM 706)		1
-718A	BACS18K10-23		..SPACER- (USED ON ITEM 706A)		1
721A	BACS18K10-15W		..SPACER- (V08073) (SPEC BACS18K10-15W) (USED ON ITEM 706)		1

25-28-09

 ILLUSTRATED PARTS LIST
 01.1 Page 1078J
 Apr 01/91

 **BOEING**
COMPONENT
MAINTENANCE MANUAL

FIG. & ITEM	PART NO.	AIRLINE PART NUMBER	NOMENCLATURE 1234567	EFF CODE	QTY PER ASSY
1A- -721B	BACS18K10-15		..SPACER- (USED ON ITEM 706A)		1
724	413T1095-3		..RETAINER- (USED ON ITEM 706)		1
-724A	413T1095-10		..RETAINER- (USED ON ITEM 706A)		1
724L	NAS620A10L		.WASHER	B	7
725	413T1098-1		.BRACKET	B	7
726	413T1097-11		.PANEL ASSY-DIVIDER ATTACHING PARTS	B	1
726B	NAS1801-3-12		.SCREW	B	4
726E	NAS623-3-1		.SCREW	B	3
726H	AN960PD10L		.WASHER	B	4
726L	NAS620A10L		.WASHER	B	3
726P	A11330-8-3		.NUT- (V72962) (SPEC BACN10FX21) (OPT BRC500-8-3 (V52828)) (OPT F49322-3-21 (V15653)) (OPT SL240-3-1 (V97393)) (OPT 130061 (V60119)) -----*	B	4
726T	NAS1836-3-11		..INSERT	B	3
726V	NAS1834A3-400		..INSERT- (OPT ITEM 726X)	B	4
-726X	NAS1834A3-390		..INSERT- (OPT ITEM 726V)	B	4

25-28-09

ILLUSTRATED PARTS LIST
01.1 Page 1078K
Apr 01/91

FIG. & ITEM	PART NO.	AIRLINE PART NUMBER	NOMENCLATURE 1234567	EFF CODE	QTY PER ASSY
1A-					
727	413T1013-336		.SHELL ASSY	A	1
-728	413T1013-443		.SHELL ASSY	B	1
730	413T1013-21		..PANEL ASSY-INBD		1
733	413T1013-22		..PANEL ASSY-INBD		1
736	NAS1836-3-07		...INSERT		5
739	413T1013-24		..PANEL ASSY-AFT	A	1
-740	413T1013-23		..PANEL ASSY-AFT	B	1
742	NAS1834-3-400		...INSERT- (OPT ITEM 742A)		3
-742A	NAS1834A3-400		...INSERT- (OPT ITEM 742)		3
745	NAS1836-3-11		...INSERT		24
748	413T1013-110		..PANEL ASSY-FWD		1
751	NAS1834-3-400		...INSERT- (OPT ITEM 751A)		3
-751A	NAS1834A3-400		...INSERT- (OPT ITEM 751)		3
754	NAS1836-3-11		...INSERT		30
757	413T1011-1		..PAN ASSY ATTACHING PARTS		3
760	NAS603-4P		..SCREW		12
763	AN960KD10L		..WASHER -----*		12
769	413T1011-4		..PAN ASSY	A	1
-770	413T1011-3		..PAN ASSY ATTACHING PARTS	B	1
772	NAS603-4P		..SCREW		4
775	AN960KD10L		..WASHER -----*		4
781	413T1013-338		..PANEL ASSY-SHELL	A	1
-782	413T1013-445		..PANEL ASSY-SHELL	B	1
784	NAS1836-3-11		...INSERT	A	108
785	NAS1836-3-11		...INSERT	B	127
787	NAS1836-08-11		...INSERT		6
790	NAS1834-3-400		...INSERT- (OPT ITEM 790A)		25
-790A	NAS1834A3-400		...INSERT- (OPT ITEM 790)		25
793	NAS1834-4-400		...INSERT- (OPT ITEM 793A)	B	8
-793A	NAS1834A4-400		...INSERT- (OPT ITEM 793)	B	8

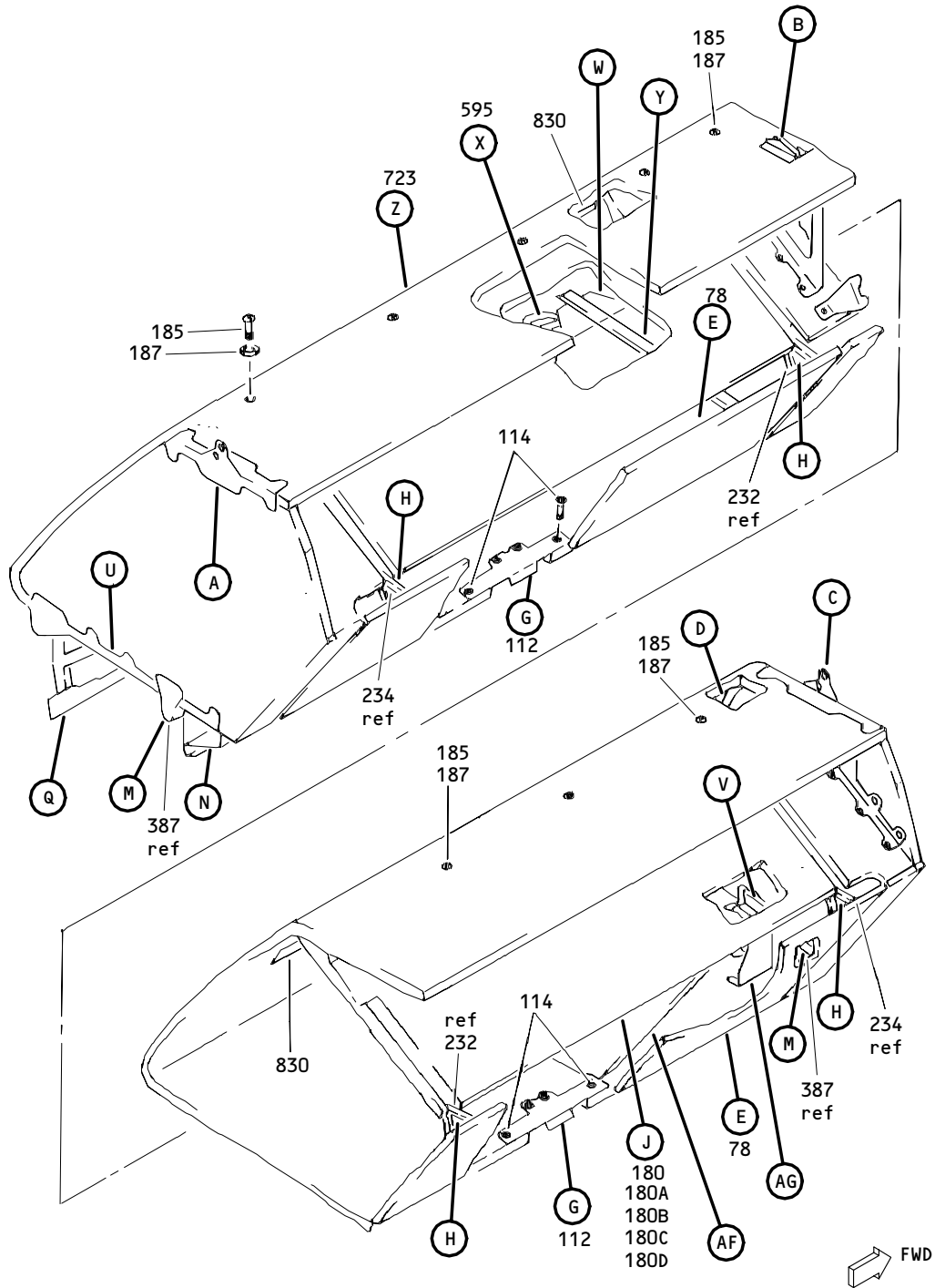
25-28-09

 ILLUSTRATED PARTS LIST
 01.1 Page 1078L
 Apr 01/91

FIG. & ITEM	PART NO.	AIRLINE PART NUMBER	NOMENCLATURE	EFF CODE	QTY PER ASSY
			1234567		
1A-					
796	NAS1833-3-400		...INSERT		1
799	NAS1834C4-400		...INSERT		1
802	NAS1834C5-400		...INSERT		1
805	SL618-3A		...INSERT- (V97393)	A	19
806	SL618-3A		...INSERT- (V97393)	B	15
811	BAC27TPPS0246		.DECAL-DOOR MUST BE LATCHED LOAD LIMIT 80 LB/36 KG		2
814	BAC27TPPS0118		.PLACARD-SOFT ARTICLES ONLY	A	2

25-28-09

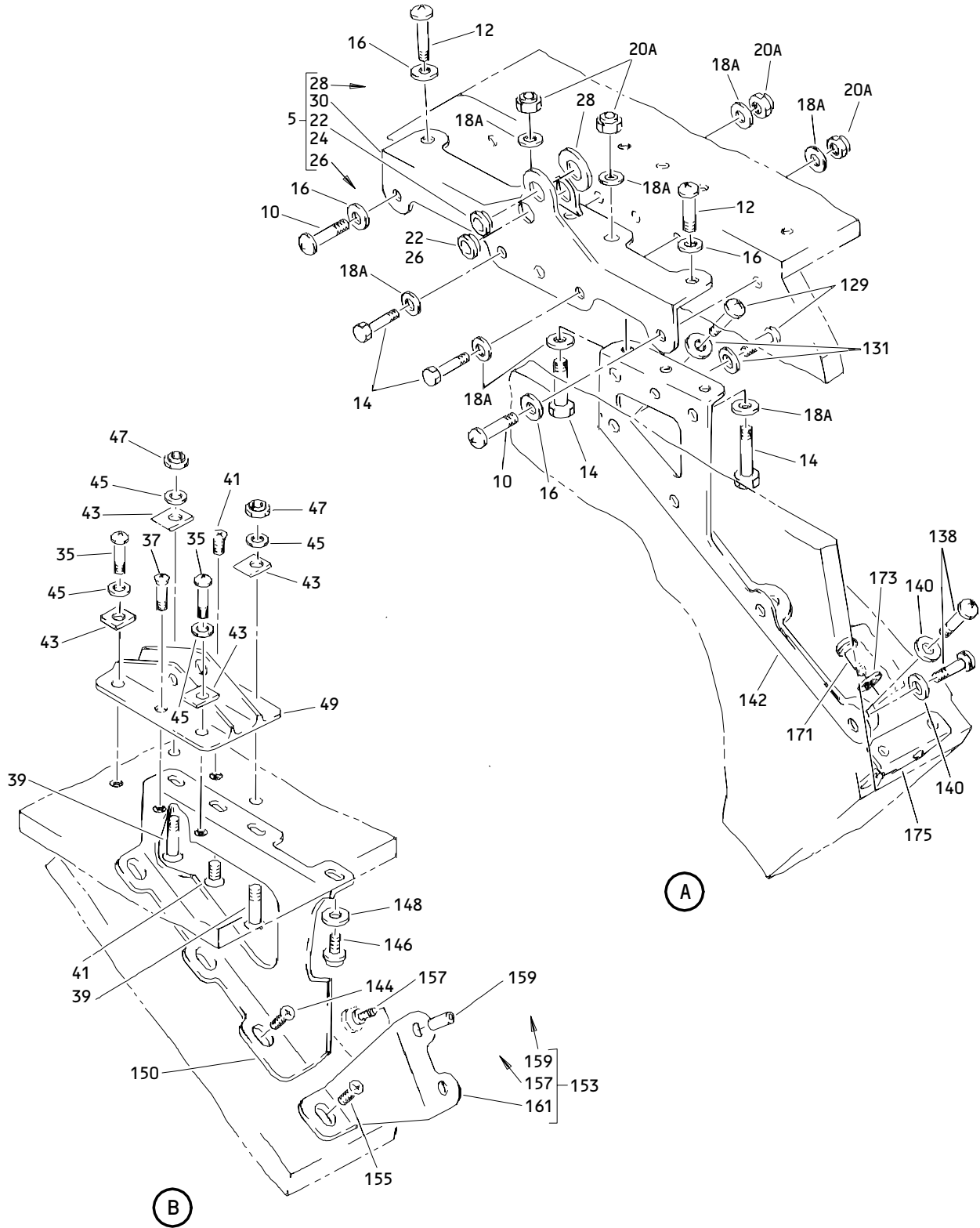
ILLUSTRATED PARTS LIST
01.1 Page 1078M
Apr 01/91



Outboard Overhead Stowage Shallow Bin Assembly
Figure 1B (Sheet 1)

25-28-09

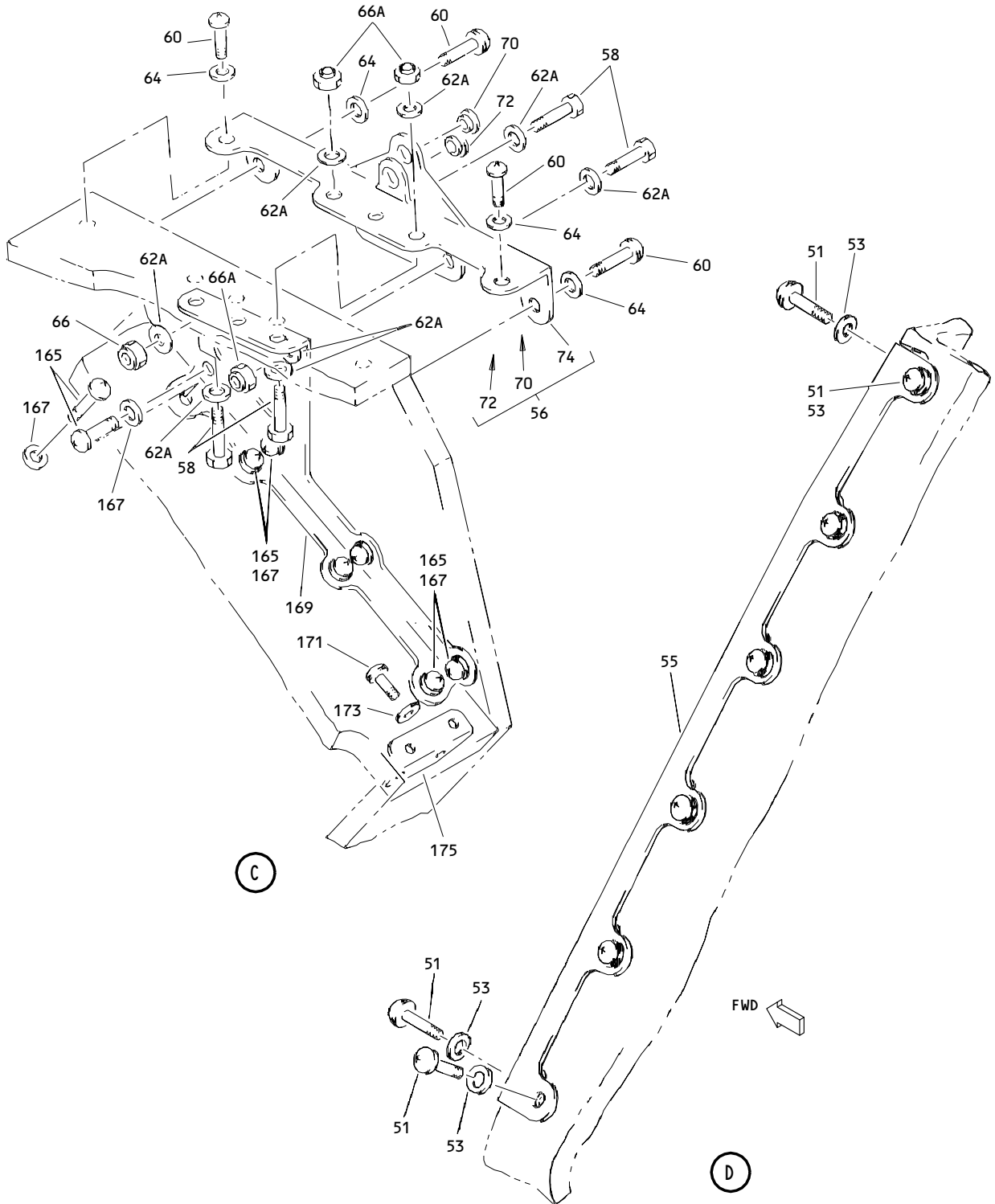
ILLUSTRATED PARTS LIST
01.1 Page 10780
Apr 01/91



Outboard Overhead Storage Shallow Bin Assembly
 Figure 1B (Sheet 2)

25-28-09

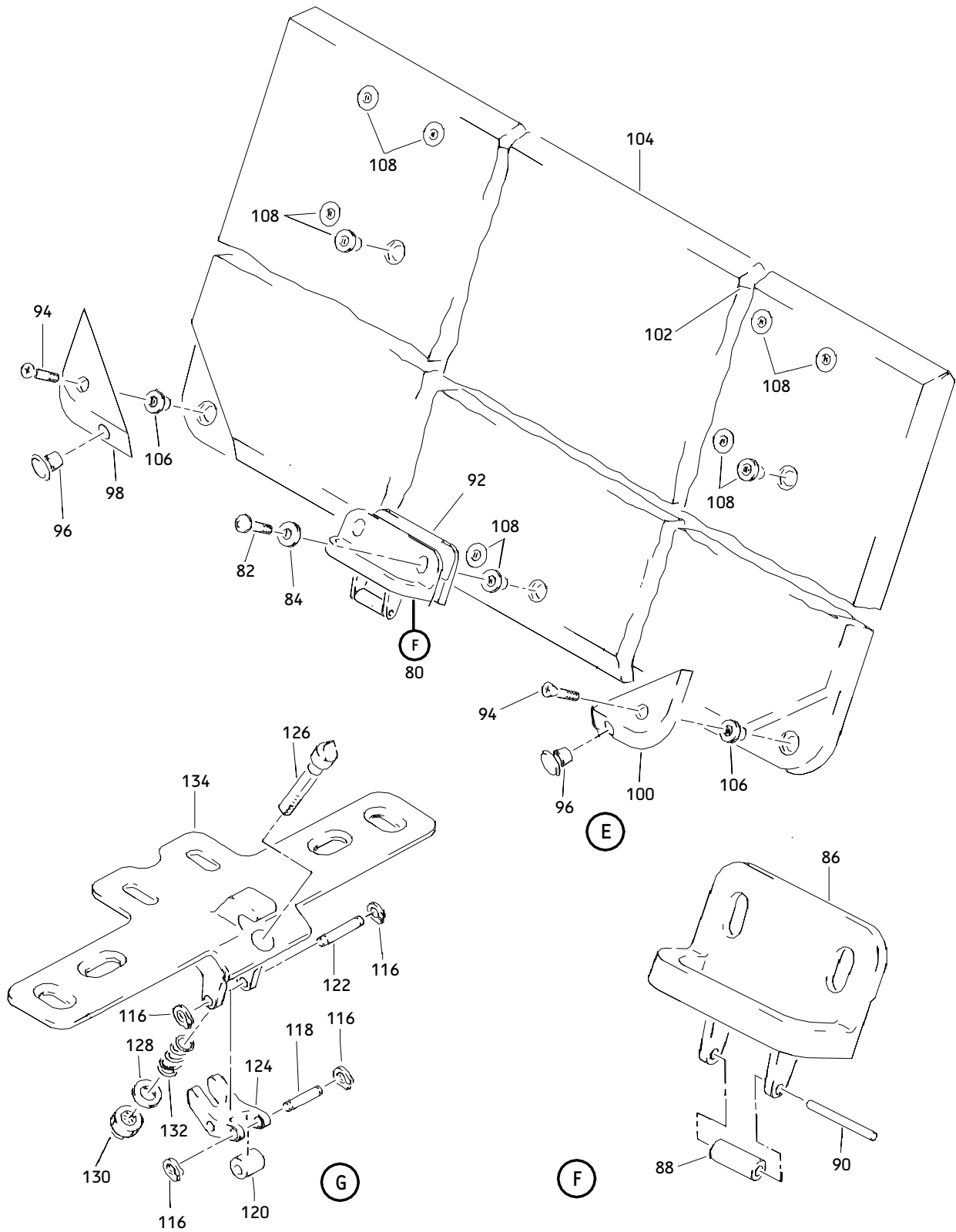
ILLUSTRATED PARTS LIST
 01.1 Page 1078P
 Apr 01/91



Outboard Overhead Stowage Shallow Bin Assembly
Figure 1B (Sheet 3)

25-28-09

ILLUSTRATED PARTS LIST
01.1 Page 1078Q
Apr 01/91

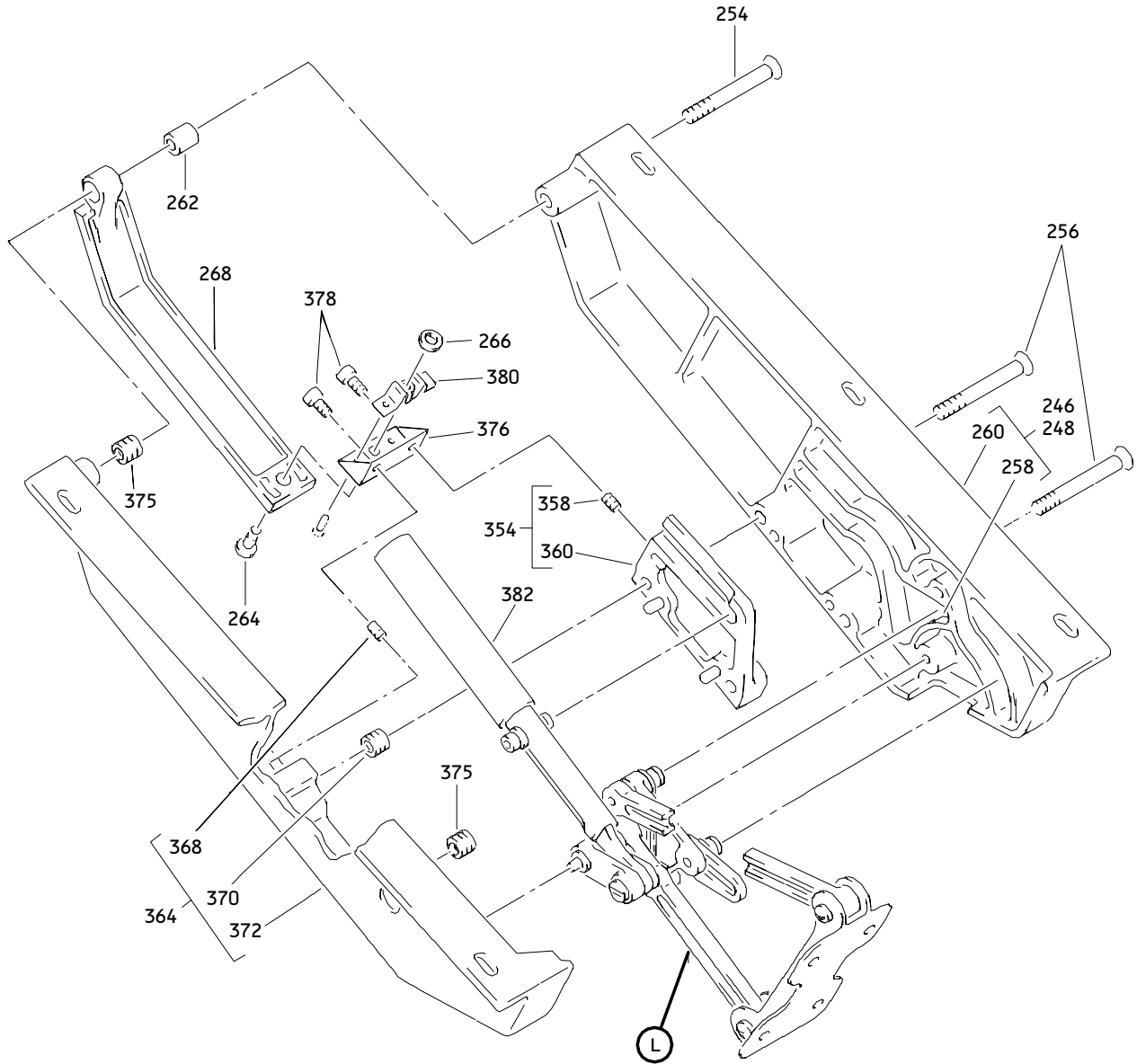


Outboard Overhead Stowage Shallow Bin Assembly
 Figure 1B (Sheet 4)

25-28-09

ILLUSTRATED PARTS LIST
 01.1 Page 1078R
 Apr 01/91

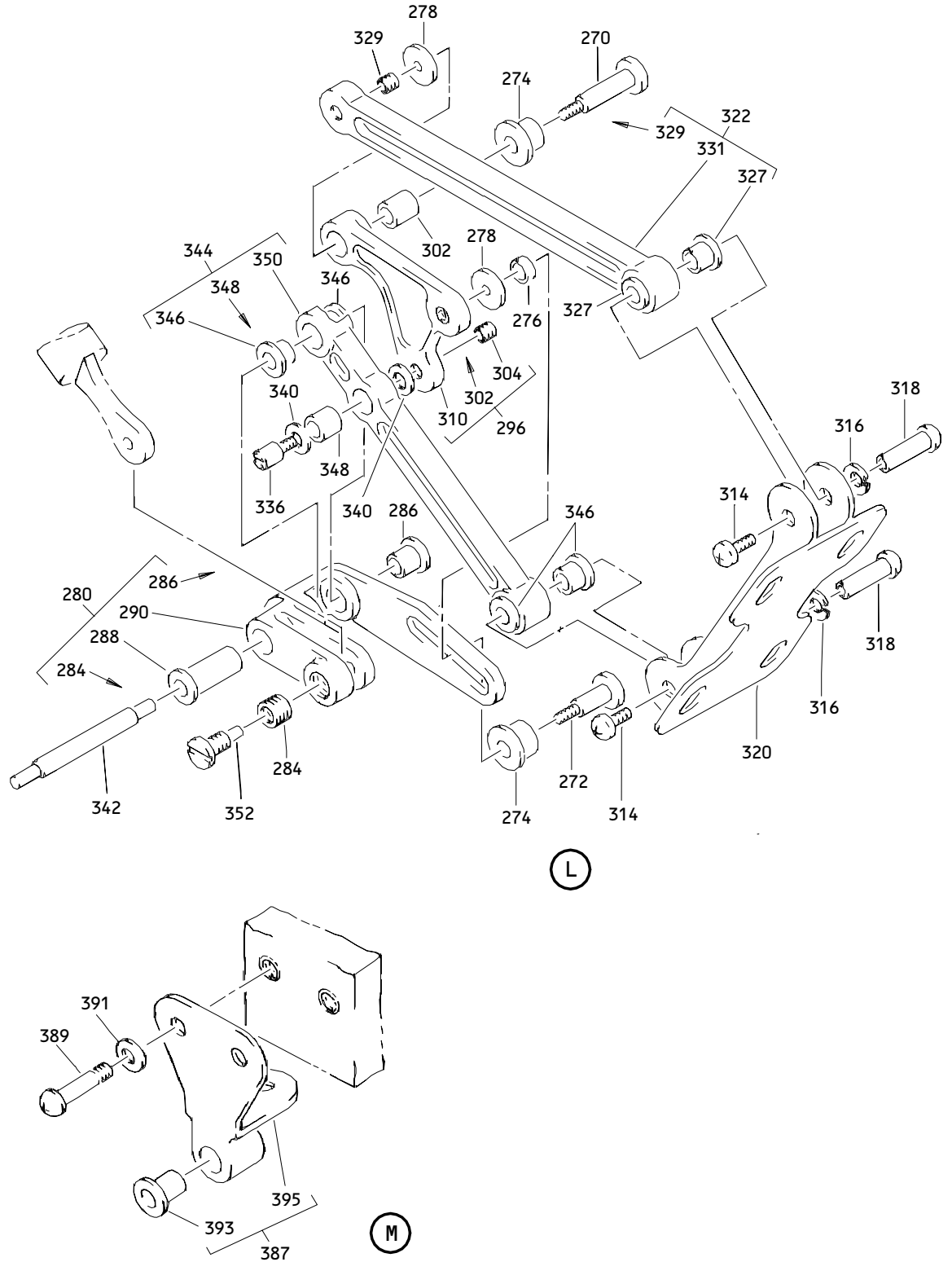
U15281



Outboard Overhead Stowage Shallow Bin Assembly
 Figure 1B (Sheet 6)

25-28-09

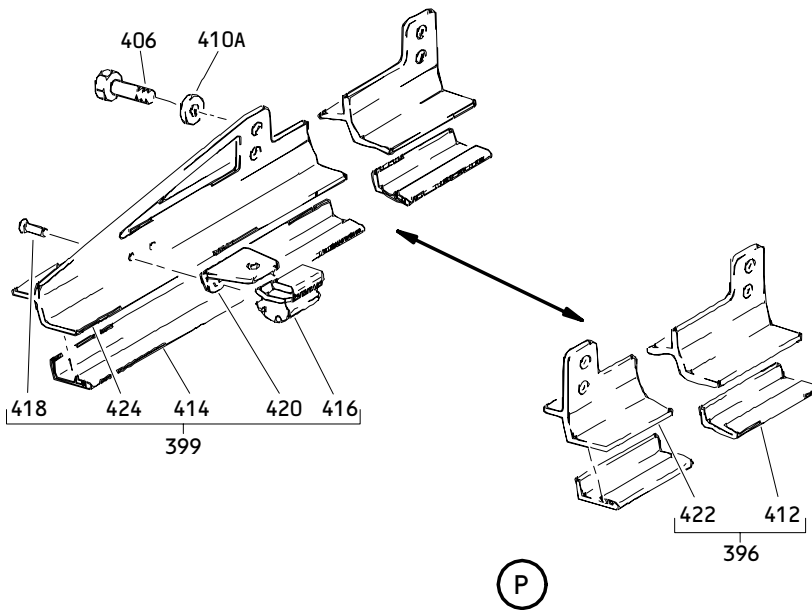
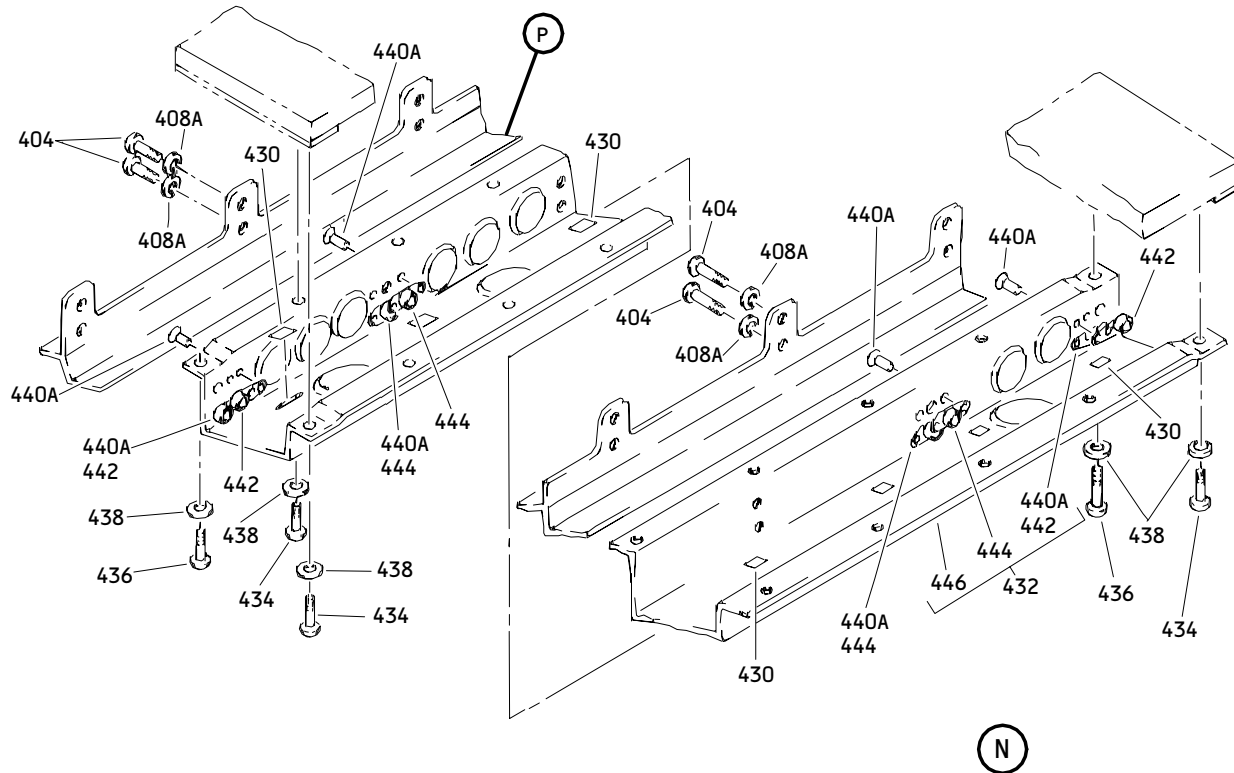
ILLUSTRATED PARTS LIST
 01.1 Page 1078T
 Apr 01/91



Outboard Overhead Stowage Shallow Bin Assembly
Figure 1B (Sheet 7)

25-28-09

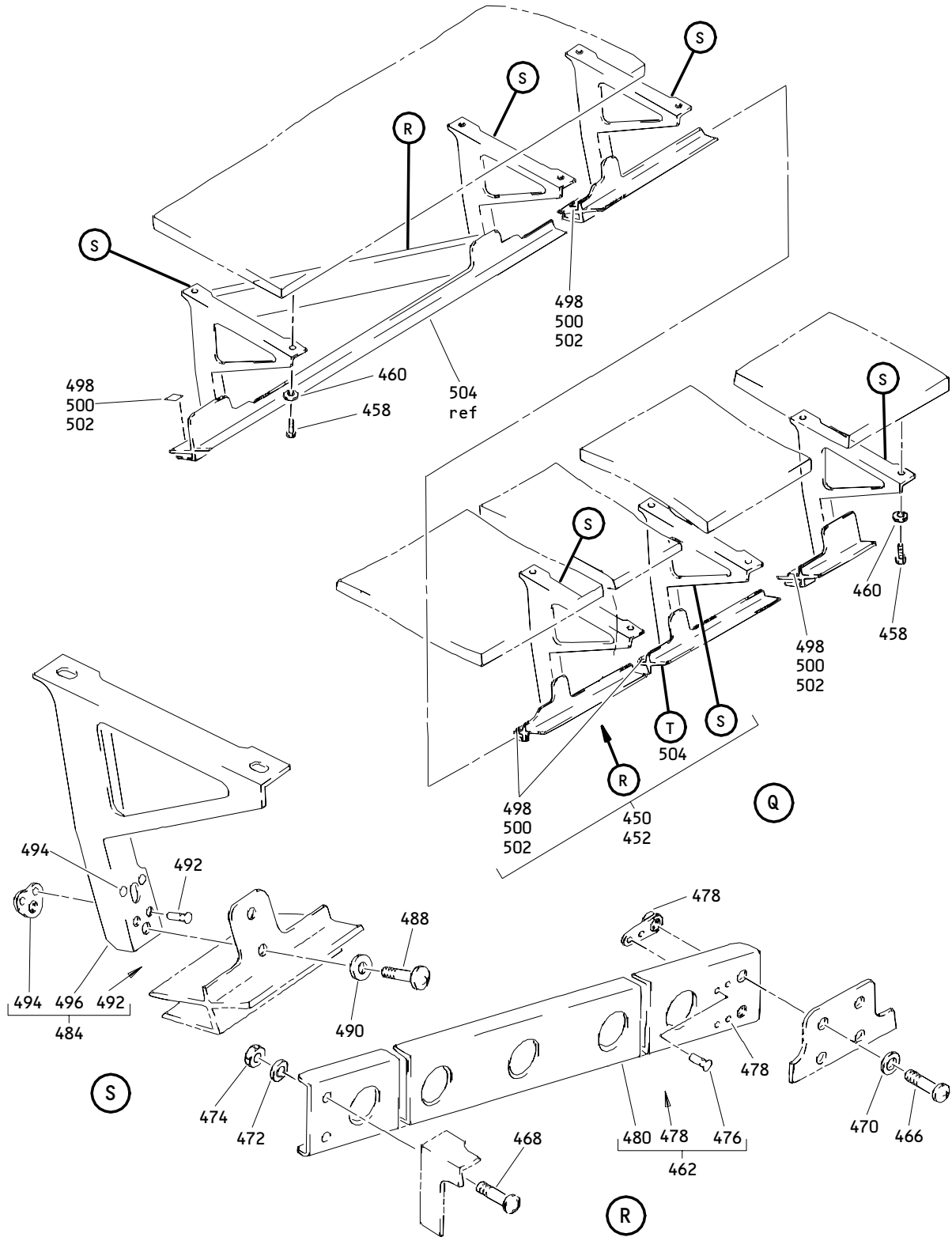
ILLUSTRATED PARTS LIST
01.1 Page 1078U
Apr 01/91



Outboard Overhead Storage Shallow Bin Assembly
 Figure 1B (Sheet 8)

25-28-09

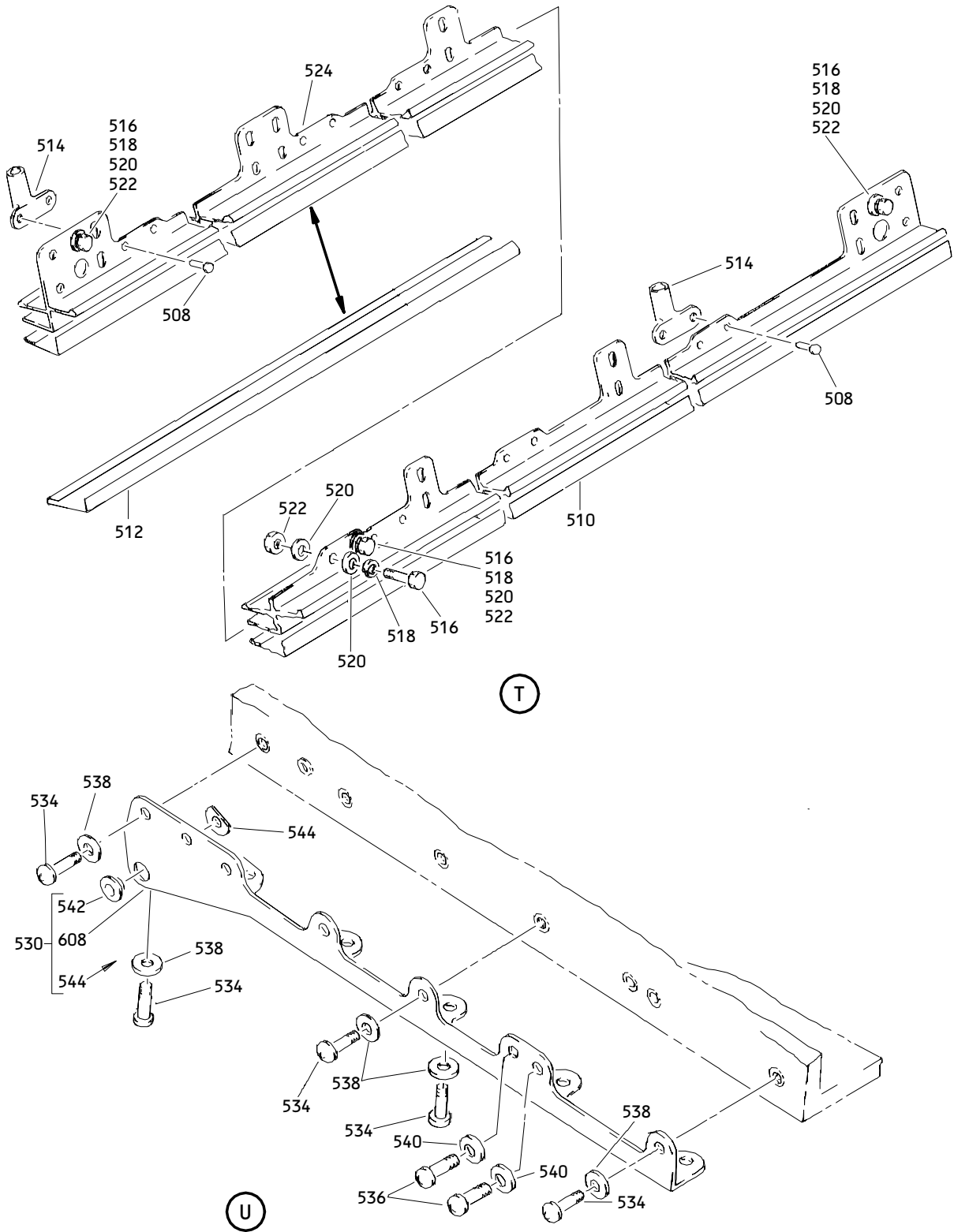
ILLUSTRATED PARTS LIST
 01.1 Page 1078V
 Apr 01/91



Outboard Overhead Stowage Shallow Bin Assembly
Figure 1B (Sheet 9)

25-28-09

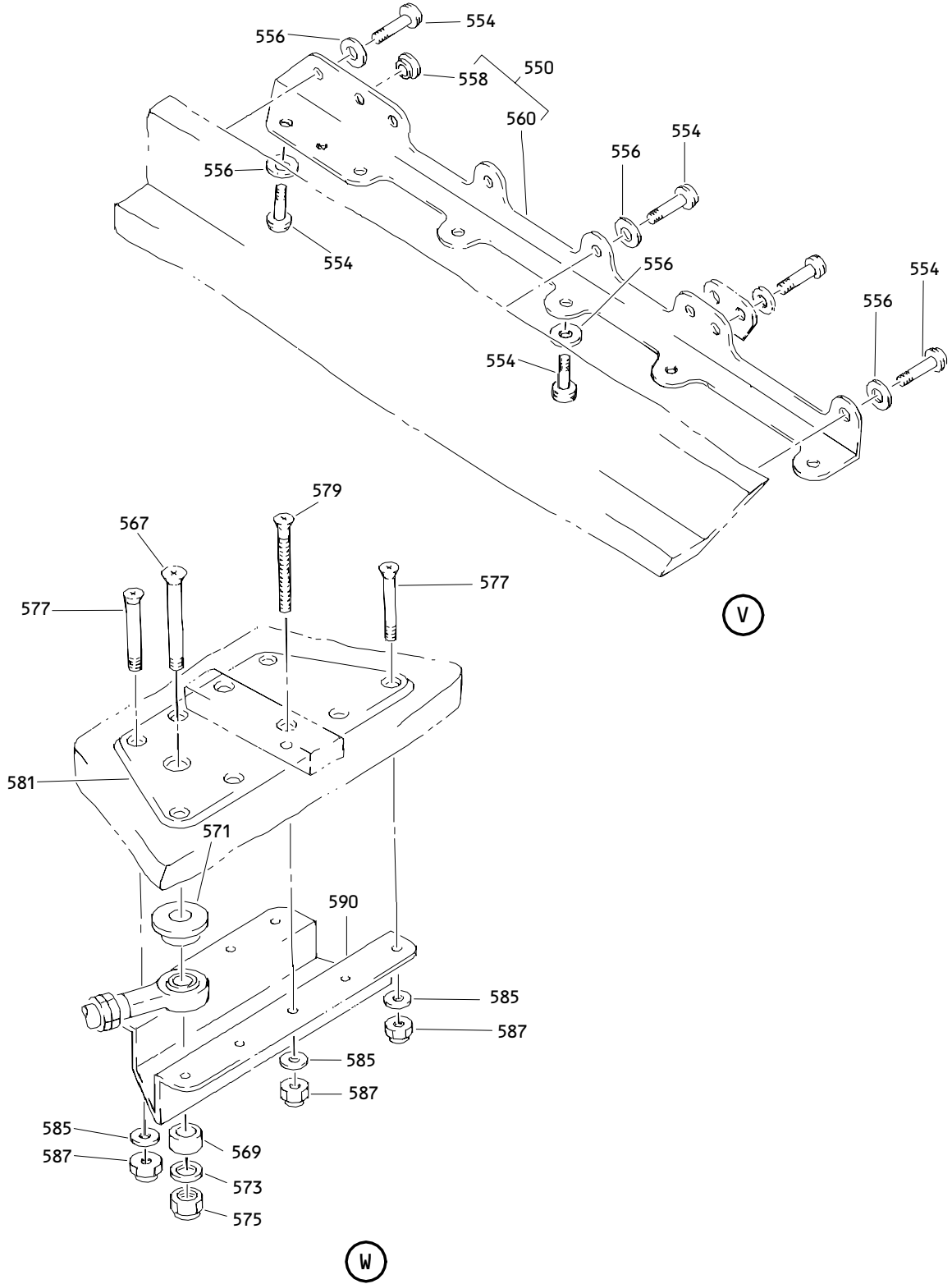
ILLUSTRATED PARTS LIST
01.1 Page 1078W
Apr 01/91



**Outboard Overhead Storage Shallow Bin Assembly
 Figure 1B (Sheet 10)**

25-28-09

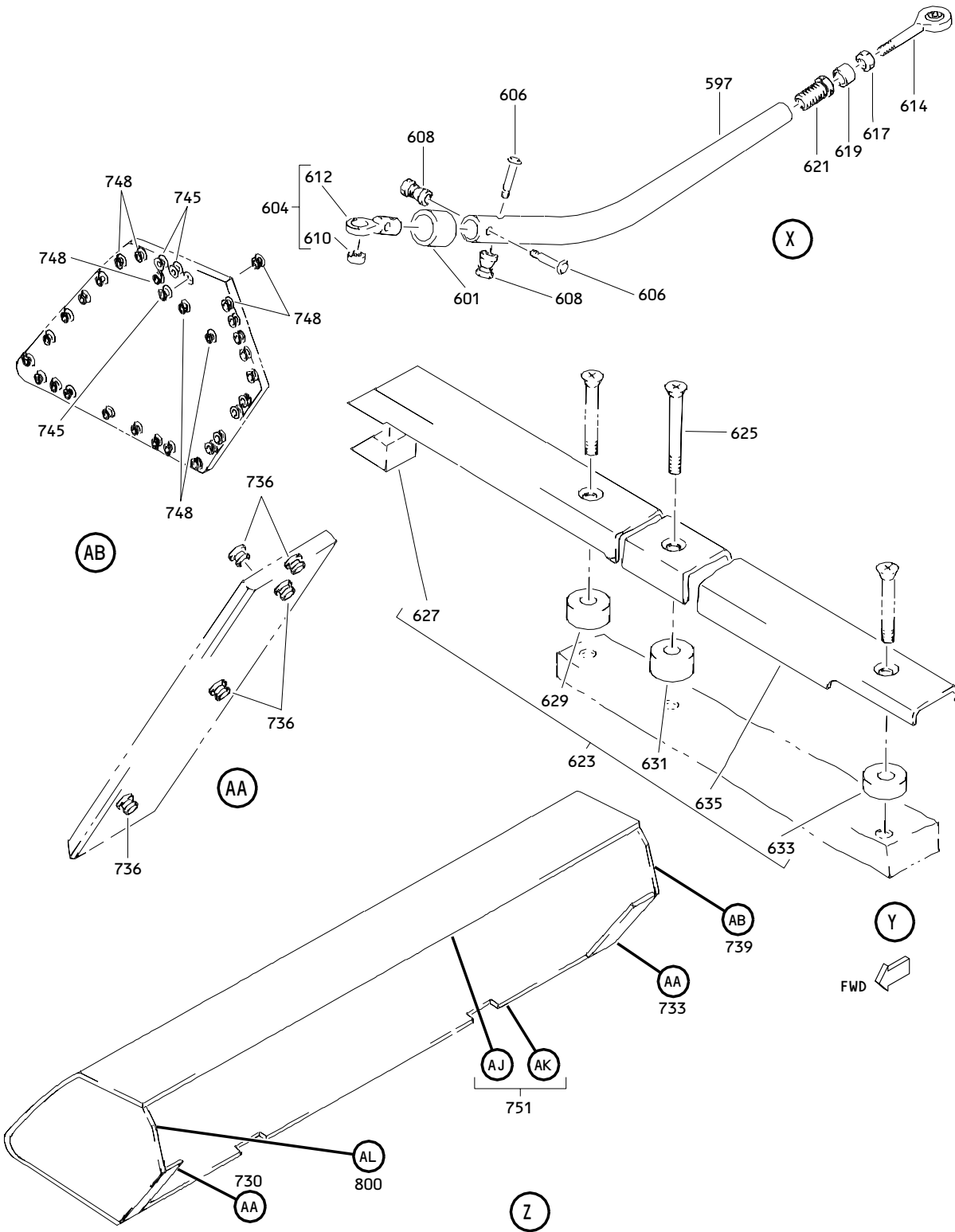
ILLUSTRATED PARTS LIST
 01.1 Page 1078X
 Apr 01/91



Outboard Overhead Stowage Shallow Bin Assembly
Figure 1B (Sheet 11)

25-28-09

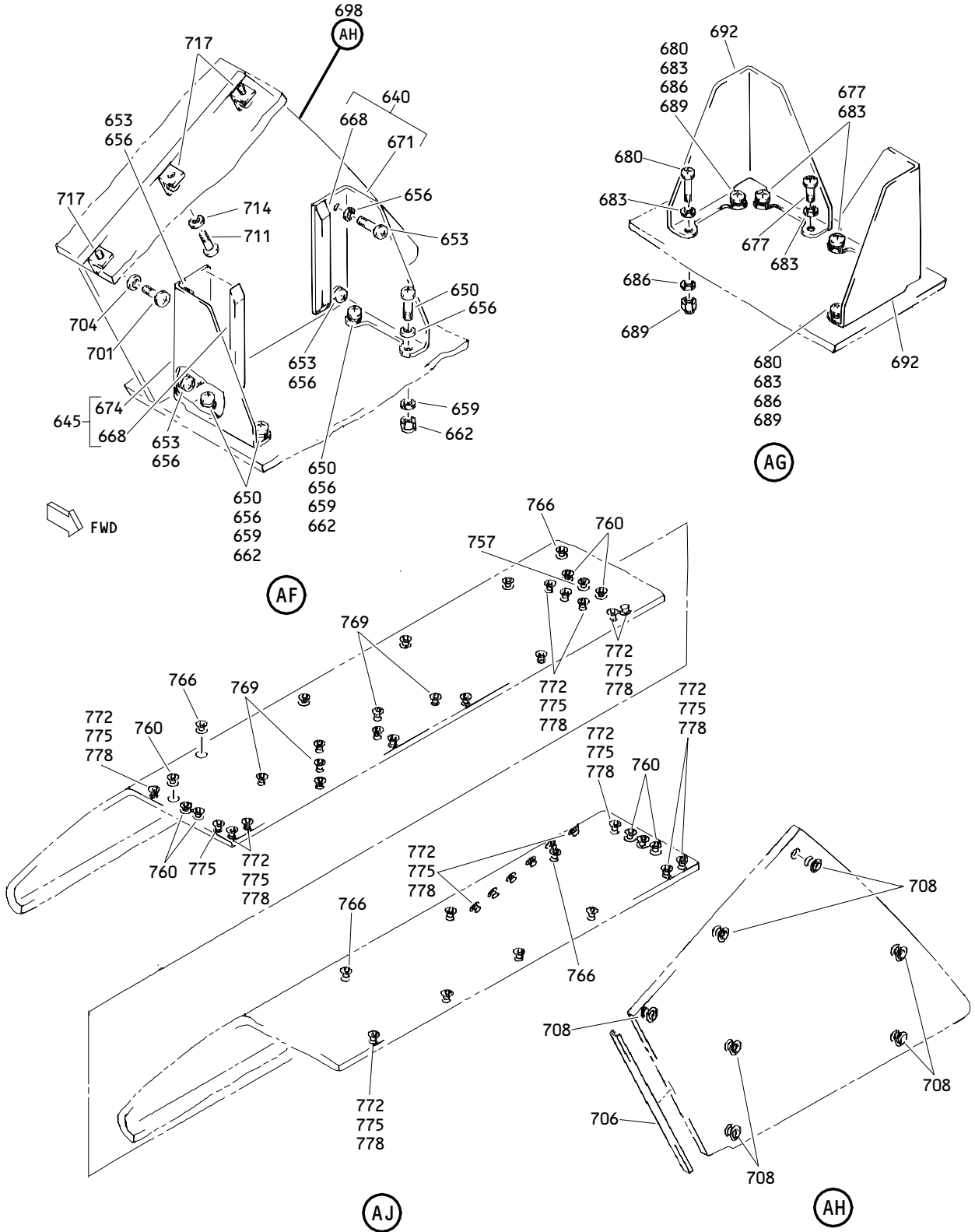
ILLUSTRATED PARTS LIST
01.1 Page 1078Y
Apr 01/91



Outboard Overhead Storage Shallow Bin Assembly
 Figure 1B (Sheet 12)

25-28-09

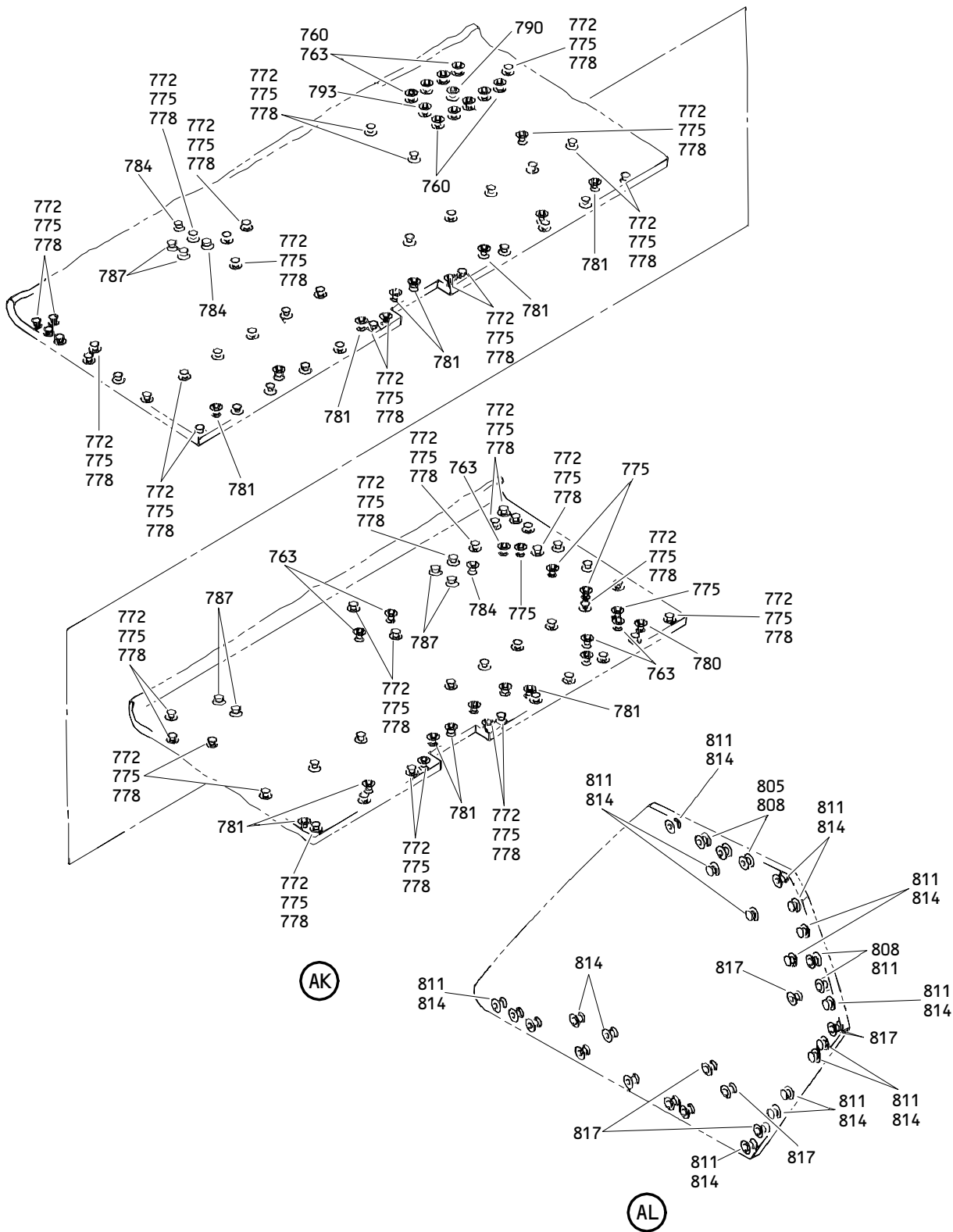
ILLUSTRATED PARTS LIST
 01.1 Page 1078Z
 Apr 01/91



Outboard Overhead Stowage Shallow Bin Assembly
Figure 1B (Sheet 13)

25-28-09

ILLUSTRATED PARTS LIST
01.1 Page 1079
Apr 01/91



Outboard Overhead Stowage Shallow Bin Assembly
 Figure 1B (Sheet 14)

25-28-09

ILLUSTRATED PARTS LIST
 01.1 Page 1080
 Apr 01/91

 **BOEING**
COMPONENT
MAINTENANCE MANUAL

FIG. & ITEM	PART NO.	AIRLINE PART NUMBER	NOMENCLATURE 1234567	EFF CODE	QTY PER ASSY
1B-1	413T1002-57SP		BIN ASSY-OUTBD OVERHEAD STOWAGE SHALLOW (LH)	A	RF
-1A	413T1002-59SP		BIN ASSY-OUTBD OVERHEAD STOWAGE SHALLOW (LH)	B	RF
-1B	413T1002-95SP		BIN ASSY-OUTBD OVERHEAD STOWAGE SHALLOW (LH)	C	RF
-1C	413T1002-87SP		BIN ASSY-OUTBD OVERHEAD STOWAGE SHALLOW (LH)	D	RF
-1D	413T1002-189SP		BIN ASSY-OUTBD OVERHEAD STOWAGE SHALLOW (LH)	J	RF
-3	413T1002-58SP		BIN ASSY-OUTBD OVERHEAD STOWAGE SHALLOW (RH)	E	RF
-3A	413T1002-60SP		BIN ASSY-OUTBD OVERHEAD STOWAGE SHALLOW (RH)	F	RF
-3B	413T1002-96SP		BIN ASSY-OUTBD OVERHEAD STOWAGE SHALLOW (RH)	G	RF
-3C	413T1002-88SP		BIN ASSY-OUTBD OVERHEAD STOWAGE SHALLOW (RH)	H	RF
-3D	413T1002-190SP		BIN ASSY-OUTBD OVERHEAD STOWAGE SHALLOW (RH)	K	RF
5	412T3108-3		.FITTING ASSY	A-CJ	1
-5A	412T3108-6		.FITTING ASSY	D,H	1
-7	412T3108-4		.FITTING ASSY	E-GK	1
			ATTACHING PARTS		
10	NAS623-3-3		.SCREW		2
12	NAS623-3-1		.SCREW		2
14	NAS6603-9		.BOLT		6
16	NAS620A10L		.WASHER		4
18A	AN960JD10LL		.WASHER		12
20A	MS21042L3		.NUT		6
			-----*-----		
22	BACB28AR06A024A		DELETED		
22A	BACB28X6M024		..BUSHING- (V23294) (SPEC BACB28X6M024) (OPT BACB28X6M024 (V70265)) (OPT BACB28X6M024 (V94892))	A-C, E-G,J K	2

25-28-09

FIG. & ITEM	PART NO.	AIRLINE PART NUMBER	NOMENCLATURE 1234567	EFF CODE	QTY PER ASSY
1B-24	BACB28X4C009		..BUSHING- (V23294) (SPEC BACB28X4C009) (OPT BACB28X4C009 (V70265)) (OPT BACB28X4C009 (V94892))	D,H	1
26	BACB28X4C024		..BUSHING- (V23294) (SPEC BACB28X4C024) (OPT BACB28X4C024 (V70265)) (OPT BACB28X4C024 (V94892))	D,H	1
28	412T3108-17		..DOUBLER	A-C, E-G,J K	1
30	412T3108-9		..FITTING	A-C,J	1
-30A	412T3108-12		..FITTING	D,H	1
-32	412T3108-10		..FITTING	E-G,K	1
35	NAS623-3-2		.SCREW		2
37	NAS514P1032-5		.SCREW		1
39	BACB30LU3-10		.BOLT- (V06710) (SPEC BACB30LU3-10) (OPT BACB30LU3-10 (V06725)) (OPT BACB30LU3-10 (V06950)) (OPT BACB30LU3-10 (V17943)) (OPT BACB30LU3-10 (V27624)) (OPT BACB30LU3-10 (V56878)) (OPT BACB30LU3-10 (V80539)) (OPT BACB30LU3-10 (V85495)) (OPT BACB30LU3-10 (V92215)) (OPT BACB30LU3-10 (V97928))		2
41	NAS514P1032-4		.SCREW		2
43	413T1002-19		.FILLER		4

25-28-09

 ILLUSTRATED PARTS LIST
 01.1 Page 1080B
 Apr 01/91

BOEING
COMPONENT
MAINTENANCE MANUAL

FIG. & ITEM	PART NO.	AIRLINE PART NUMBER	NOMENCLATURE 1234567	EFF CODE	QTY PER ASSY
1B-45	NAS620A10L		.WASHER		4
47	H10-3BAC		.NUT- (V15653) (SPEC BACN10JC3) (OPT NS202101-02 (V80539)) (OPT RMLH9075-3W (V72962)) (OPT T6S1032J (V71087)) (OPT VN303A02 (V92215)) (OPT 96-02 (V80539)) (OPT BRH10A3 (V52828))		2
49	412T2013-4		.FITTING		1
51	NAS623-3-1		.SCREW		12
53	NAS620A10L		.WASHER		12
55	412T2013-2		.ANGLE		1
56	412T3108-5		.FITTING ASSY	A-D,H J	1
-56A	412T3108-6		.FITTING ASSY ATTACHING PARTS	E-G,K	1
58	NAS6603-9		.BOLT		6
60	NAS623-3-1		.SCREW		4
62A	AN960JD10LL		.WASHER		12
64	NAS620A10L		.WASHER		4
66A	MS21042L3		.NUT		6
			-----*		
70	BACB28X4C009		..BUSHING- (V23294) (SPEC BACB28X4C009) (OPT BACB28X4C009 (V70265)) (OPT BACB28X4C009 (V94892))		1
72	BACB28X4C024		..BUSHING- (V23294) (SPEC BACB28X4C024) (OPT BACB28X4C024 (V70265)) (OPT BACB28X4C024 (V94892))		1

25-28-09

ILLUSTRATED PARTS LIST
01.1 Page 1080C
Apr 01/91

FIG. & ITEM	PART NO.	AIRLINE PART NUMBER	NOMENCLATURE 1234567	EFF CODE	QTY PER ASSY
1B-74	412T3108-11		..FITTING	A-D,H	1
-74A	412T3108-12		..FITTING	J	1
78	417T1007-63SP		.DOOR ASSY- (OPT ITEM 78A)	E-G,K	2
-78A	417T1007-83SP		.DOOR ASSY- (OPT ITEM 78)		2
-78B	417T1007-83SP		.DOOR ASSY	JK	2
80	413T1028-4		..STRIKE ASSY- (OPT ITEM 80A)		1
-80A	413T1028-5		..STRIKE ASSY- (OPT ITEM 80) ATTACHING PARTS		1
82	NAS623-3-1W		..SCREW		2
84	AN960PD10L		..WASHER -----*-----		2
86	413T1028-2		...STRIKE		1
88	413T1093-3		...ROLLER- (USED ON ITEM 80)		1
-88A	NAS1056C3-056		...ROLLER- (USED ON ITEM 80A)		1
89	MS51859-1		...BUSHING- (USED ON ITEM 80A)		2
90	MS20253-2-083		...PIN-HINGE		1
92	413T1132-1		..SHIM- (USED ON ITEM 78)		1
94	NAS514P1032-6		..SCREW		2
95	BMS8-133		..EDGING		1
96	413T1010-1		..BUMPER		2

25-28-09

 ILLUSTRATED PARTS LIST
 01.1 Page 1080D
 Apr 01/91

 **BOEING**
COMPONENT
MAINTENANCE MANUAL

FIG. & ITEM	PART NO.	AIRLINE PART NUMBER	NOMENCLATURE 1234567	EFF CODE	QTY PER ASSY
1B-					
98	413T1118-3		..COVER		1
100	413T1118-4		..COVER		1
104	413T1007-10SP		..COVER-DECORATIVE		1
106	SL618-3A		..INSERT- (V97393)		2
108	NAS1836-3-11		..INSERT		10
112	413T1024-2		.LATCH ASSY ATTACHING PARTS		2
114	NAS514P1032-5		.SCREW -----*		4
116	MS16624-5012		..RING		4
118	413T1090-3		..PIN		1
120	413T1093-2		..ROLLER		1
122	413T1090-1		..PIN		1
124	413T1091-1		..ARM		1
126	413T1092-2		..BOLT		1
128	AN960C8		..WASHER		1
130	H10-08BAC		..NUT- (V15653) (SPEC BACN10JC08) (OPT NS202101-82 (V80539)) (OPT RMLH9075-82W (V72962)) (OPT T6S832J (V71087)) (OPT VN303A82 (V92215)) (OPT 96-82 (V80539)) (OPT BRH10A08 (V52828)) (OPT T6S832J (V11815))		1

25-28-09

ILLUSTRATED PARTS LIST
01.1 Page 1080E
Apr 01/91

FIG. & ITEM	PART NO.	AIRLINE PART NUMBER	NOMENCLATURE 1234567	EFF CODE	QTY PER ASSY
1B-					
132	MS24585C93		..SPRING		1
134	413T1030-3		..BODY- (OPT ITEM 134A)		1
-134A	413T1030-4		..BODY- (OPT ITEM 134)		1
138	NAS623-3-1		.SCREW		8
140	NAS620A10L		.WASHER		8
142	413T1014-1		.BRACKET		1
144	NAS514P1032-5		.SCREW		3
146	NAS623-3-1		.SCREW		1
148	NAS620A10L		.WASHER		1
150	413T1015-11		.BRACKET	A-D,J	1
-150A	413T1015-12		.BRACKET	E-H,K	1
153	413T1015-21		.BRACKET ASSY	A-D,J	1
-153A	413T1015-22		.BRACKET ASSY	E-H,K	1
			ATTACHING PARTS		
155	NAS514P1032-5		.SCREW		1
			-----*-----		
157	SL6161-08-4		..STUD- (V97393)		2
159	NAS42DD6-6		..SPACER		2
161	413T1015-23		..BRACKET	A-D,J	1
-161A	413T1015-24		..BRACKET	E-H,K	1
165	NAS623-3-1		.SCREW		8
167	NAS620A10L		.WASHER		8
169	413T1014-2		.BRACKET		1
171	NAS603-4P		.SCREW		8
173	NAS620A10L		.WASHER		8
175	413T1014-3		.BRACKET		1
180	413T1013-39		.PANEL ASSY-HINGE (OPT ITEMS 180A, 180B)	A,C,D	1
180A	413T1013-203		.PANEL ASSY-HINGE (OPT ITEMS 180, 180B)	A,C,D	1

25-28-09

 ILLUSTRATED PARTS LIST
 01.1 Page 1080F
 Apr 01/91

 **BOEING**
COMPONENT
MAINTENANCE MANUAL

FIG. & ITEM	PART NO.	AIRLINE PART NUMBER	NOMENCLATURE 1234567	EFF CODE	QTY PER ASSY
1B-180B	413T1136-15		.PANEL ASSY-HINGE (OPT ITEMS 180, 180A)	A,C,D	1
180C	413T1013-213		.PANEL ASSY-HINGE (OPT ITEM 180D)	B	1
180D	413T1136-17		.PANEL ASSY-HINGE (OPT ITEM 180C)	B	1
-180E	413T1136-15		.PANEL ASSY-HINGE	J	1
-183	413T1013-40		.PANEL ASSY-HINGE (OPT ITEMS 183A, 183B)	E,G,H	1
-183A	413T1013-204		.PANEL ASSY-HINGE (OPT ITEMS 183, 183B)	E,G,H	1
-183B	413T1136-16		.PANEL ASSY-HINGE (OPT ITEMS 183, 183A)	E,G,H	1
-183C	413T1013-214		.PANEL ASSY-HINGE (OPT ITEM 183D)	F	1
-183D	413T1136-18		.PANEL ASSY-HINGE (OPT ITEM 183C)	F	1
-183E	413T1136-16		.PANEL ASSY-HINGE ATTACHING PARTS	K	1
185	NAS623-3-7		.SCREW		8
187	AN960PD10L		.WASHER		8
			-----*		
189	413T1013-86		..TRIM-EDGE (USED ON ITEMS 180, 183)	A,C-E ,G,H	2
191	413T1013-179		..TRIM-EDGE (USED ON ITEMS 180A, 180B, 183A, 183B)		2
193	413T1013-85		..TRIM-EDGE (USED ON ITEMS 180, 183)	A,C-E ,G,H	2
195	413T1013-180		..TRIM-EDGE (USED ON ITEMS 180A, 180B, 183A, 183B)		2
197	413T1013-84		..TRIM-EDGE (USED ON ITEMS 180, 183)	A,C-E ,G,H	2
199	413T1013-181		..TRIM-EDGE (USED ON ITEMS 180A, 180B, 183A, 183B)		2
-201	413T1136-61		..TRIM-EDGE (USED ON ITEMS 180B, 180E, 180D, 183B, 183D, 183E)		AR

25-28-09

ILLUSTRATED PARTS LIST
01.1 Page 1080G
Apr 01/91

FIG. & ITEM	PART NO.	AIRLINE PART NUMBER	NOMENCLATURE 1234567	EFF CODE	QTY PER ASSY
1B-203	NAS1836-3-11		..INSERT- (USED ON ITEMS 180, 183)	A,C-E ,G,H	24
205	NAS1836-3-11		..INSERT- (USED ON ITEMS 180A, 180C, 183A, 183C)		4
207	NAS1836-3-11		..INSERT- (USED ON ITEMS 180D, 183D)	B,F	3
209	NAS1836-3-09		..INSERT- (USED ON ITEMS 180A, 180B, 180C, 180D, 180E, 183A, 183B, 183C, 183D, 183E)		20
211	NAS1836-3-09		..INSERT- (USED ON ITEMS 180B, 180D, 180E, 183B, 183D, 183E)		4
213	NAS1836-3-09		..INSERT- (USED ON ITEMS 180D, 183D)	B,F	3
215	SL618-3A		..INSERT- (V97393) (USED ON ITEMS 180, 183)	A,C-E ,G,H	24
217	SL618-3A		..INSERT- (V97393) (USED ON ITEMS 180A, 180B, 180C, 180D, 180E, 183A, 183B, 183C, 183D, 183E)		24
219	413T1013-97		..MEMBER-EDGE (USED ON ITEMS 180, 183)	A,C-E ,G,H	1
221	NAS1801-3-5		..SCREW- (USED ON ITEMS 180A, 180B, 180C, 180D, 180E, 183A, 183B, 183C, 183D, 183E)		8
223	BACW10P183AL		..WASHER- (V10630) (SPEC BACW10P183AL) (USED ON ITEMS 180A, 180B, 180C, 180D, 180E, 183A, 183B, 183C, 183D, 183E)		8

25-28-09

 ILLUSTRATED PARTS LIST
 01.1 Page 1080H
 Apr 01/91

 **BOEING**
COMPONENT
MAINTENANCE MANUAL

FIG. & ITEM	PART NO.	AIRLINE PART NUMBER	NOMENCLATURE 1234567	EFF CODE	QTY PER ASSY
1B-225	A11330-8-3		..NUT- (V72962) (SPEC BACN10FX21) (OPT BRC500-8-3 (V52828)) (OPT F49322-3-21 (V15653)) (OPT SL240-3-1 (V97393)) (OPT 130061 (V60119)) (USED ON ITEMS 180A, 180B, 180C, 180D, 180E, 183A, 183B, 183C, 183D, 183E)		8
227	413T1014-5		..SUPPORT- (USED ON ITEMS 180A, 180B, 180C, 180D, 180E, 183A, 183B, 183C, 183D, 183E)		8
232	413T1017-7		.HINGE ASSY- (OPT ITEMS 232A, 232B) (PRE SB 767-25-0078)	A-H	2
-232A	413T1017-15		.HINGE ASSY- (OPT ITEMS 232, 232B) (PRE SB 767-25-0078)	A-H	2
-232B	413T1017-23		.HINGE ASSY- (OPT ITEMS 232, 232A) (PRE SB 767-25-0078)	A-H	2
-232C	413T1017-23		.HINGE ASSY- (PRE SB 767-25-0078)	J	2
-232D	9994		.HINGE ASSY- (V80477) (POST SB 767-25-0078)	A-J	2
234	413T1017-8		.HINGE ASSY- (OPT ITEMS 234A, 234B) (PRE SB 767-25-0078)	A-H	2

25-28-09

ILLUSTRATED PARTS LIST
01.1 Page 1080I
Apr 01/91

FIG. & ITEM	PART NO.	AIRLINE PART NUMBER	NOMENCLATURE 1234567	EFF CODE	QTY PER ASSY
1B- -234A	413T1017-16		.HINGE ASSY- (OPT ITEMS 234, 234B) (PRE SB 767-25-0078)	A-H	2
-234B	413T1017-24		.HINGE ASSY- (OPT ITEMS 234, 234A) (PRE SB 767-25-0078)	A-H	2
-234C	413T1017-24		.HINGE ASSY- (PRE SB 767-25-0078)	J	2
-234D	9994		.HINGE ASSY- (V80477) (POST SB 767-25-0078)	A-J	2
236	PSFW10F6DS05WH		ATTACHING PARTS .SCREW- (V12324) (OPT ITEM 236A)		24
236A	BACS12FA3C5		.SCREW- (OPT ITEM 236)		24
238	NAS1801-3-6		.SCREW		16
240	BACW10P183AL		.WASHER- (V10630) (SPEC BACW10P183AL)		16
			-----*		
242	413T1017-9		..HINGE ASSY- (USED ON ITEM 232)	A-H	1
-242A	413T1017-19		..HINGE ASSY- (USED ON ITEM 232A)	A-H	1
-242B	413T1017-27		..HINGE ASSY- (USED ON ITEM 232B, 232C)		1

25-28-09

 ILLUSTRATED PARTS LIST
 01.1 Page 1080J
 Apr 01/91

 **BOEING**
COMPONENT
MAINTENANCE MANUAL

FIG. & ITEM	PART NO.	AIRLINE PART NUMBER	NOMENCLATURE 1234567	EFF CODE	QTY PER ASSY
1B- -244	413T1017-10		..HINGE ASSY- (USED ON ITEM 234)	A-H	1
-244A	413T1017-20		..HINGE ASSY- (USED ON ITEM 234A)	A-H	1
-244B	413T1017-28		..HINGE ASSY- (USED ON ITEMS 234B, 234C)		1
246	413T1086-13		...HOUSING-CAM (OPT ITEM 246A) (USED ON ITEMS 242, 242B)		1
-246A	413T1086-31		...HOUSING-CAM (OPT ITEMS 246, 248) (USED ON ITEMS 242, 242B, 242C)		1
248	413T1086-19		...HOUSING ASSY-CAM (OPT ITEM 246A) (USED ON ITEMS 242)		1
-248A	413T1086-19		...HOUSING ASSY-CAM (USED ON ITEM 242A)		1
-250	413T1086-14		...HOUSING-CAM (OPT ITEM 250A) (USED ON ITEMS 244, 244B, 244C)		1
-250A	413T1086-32		...HOUSING-CAM (OPT ITEMS 250, 252) (USED ON ITEMS 244, 244B, 244C)		1
252	413T1086-20		...HOUSING ASSY-CAM (OPT ITEM 250A) (USED ON ITEM 244)		1
-252A	413T1086-20		...HOUSING ASSY-CAM (USED ON ITEM 244A) ATTACHING PARTS		1

25-28-09

ILLUSTRATED PARTS LIST
01.1 Page 1080K
Apr 01/91

FIG. & ITEM	PART NO.	AIRLINE PART NUMBER	NOMENCLATURE 1234567	EFF CODE	QTY PER ASSY
1B-254	BACB30LH3PU28		...BOLT- (V06710) (SPEC BACB30LH3PU28) (OPT BACB30LH3PU28 (V06725)) (OPT BACB30LH3PU28 (V06950)) (OPT BACB30LH3PU28 (V08524)) (OPT BACB30LH3PU28 (V17943)) (OPT BACB30LH3PU28 (V27624)) (OPT BACB30LH3PU28 (V80539)) (OPT BACB30LH3PU28 (V92215)) (OPT BACB30LH3PU28 (V97928))		1
256	BACB30LH3PU22		...BOLT- (V06710) (SPEC BACB30LH3PU22) (OPT BACB30LH3PU22 (V06725)) (OPT BACB30LH3PU22 (V06950)) (OPT BACB30LH3PU22 (V08524)) (OPT BACB30LH3PU22 (V17943)) (OPT BACB30LH3PU22 (V27624)) (OPT BACB30LH3PU22 (V80539)) (OPT BACB30LH3PU22 (V92215)) (OPT BACB30LH3PU22 (V97928)) -----*-----		2

25-28-09

 ILLUSTRATED PARTS LIST
 01.1 Page 1080L
 Apr 01/91

 **BOEING**
COMPONENT
MAINTENANCE MANUAL

FIG. & ITEM	PART NO.	AIRLINE PART NUMBER	NOMENCLATURE 1234567	EFF CODE	QTY PER ASSY
1B-258	413T1086-21	DOUBLER- (USED ON ITEMS 248, 248A, 252, 252A)		1
260	413T1086-1	HOUSING- (USED ON ITEMS 248, 248A)		1
-260A	413T1086-2	HOUSING- (USED ON ITEMS 252, 252A)		1
262	NAS43DD3-30		...SPACER		1
264	5S1-6		...STUD- (V71286)		1
266	5S3-2		...WASHER- (V71286)		1
268	413T1086-7		...DOOR		1
-270A	413T1083-10		...SCREW- (USED ON ITEMS 242A, 242B, 242C, 244A, 244B, 242C)		1
272	413T1083-2		...SCREW- (USED ON ITEMS 242, 244)		1
-272A	413T1083-9		...SCREW- (USED ON ITEMS 242A, 242B, 242C, 244A, 244B, 244C)		1
274	413T1085-4		...ROLLER		2
276	413T1085-3		...ROLLER		1
280	413T1023-1		...ACTUATOR ASSY- (USED ON ITEM 242)		1
-282	413T1023-2		...ACTUATOR ASSY- (USED ON ITEM 244)		1
284	MS21209F4-10	INSERT		1
286	NAS77A3-24N	BUSHING		1
288	NAS77A3-68N	BUSHING		1
290	413T1023-3	ACTUATOR- (USED ON ITEM 280)		1
-292	413T1023-4	ACTUATOR- (USED ON ITEM 282)		1
296	413T1022-7		...FOLLOWER ASSY-CAM (USED ON ITEM 242)		1
-296A	413T1022-7		...FOLLOWER ASSY-CAM (OPT ITEM 296B) (USED ON ITEM 242A)		1

25-28-09

ILLUSTRATED PARTS LIST
01.1 Page 1080M
Apr 01/91

FIG. & ITEM	PART NO.	AIRLINE PART NUMBER	NOMENCLATURE 1234567	EFF CODE	QTY PER ASSY
1B- -296B	413T1022-11		...FOLLOWER ASSY-CAM (OPT ITEM 296A) (USED ON ITEM 242A)		1
-296C	413T1022-7		...FOLLOWER ASSY-CAM (OPT ITEM 296E) (USED ON ITEMS 242B, 242C)		1
-296D	413T1022-11		...FOLLOWER ASSY-CAM (OPT ITEM 296E) (USED ON ITEMS 242B, 242C)		1
-296E	413T1022-19		...FOLLOWER ASSY-CAM (OPT ITEMS 296C, 296D) (USED ON ITEM 242B)		1
-298	413T1022-8		...FOLLOWER ASSY-CAM (USED ON ITEM 244)		1
-298A	413T1022-8		...FOLLOWER ASSY-CAM (OPT ITEM 298B) (USED ON ITEM 244A)		1
-298B	413T1022-12		...FOLLOWER ASSY-CAM (OPT ITEM 298A) (USED ON ITEM 244A)		1
-298C	413T1022-8		...FOLLOWER ASSY-CAM (OPT ITEM 298E) (USED ON ITEMS 244B, 244C)		1
-298D	413T1022-12		...FOLLOWER ASSY-CAM (OPT ITEM 298E) (USED ON ITEMS 244B, 244C)		1
-298E	413T1022-20		...FOLLOWER ASSY-CAM (OPT ITEMS 298C, 298D) (USED ON ITEM 244B)		1
302	NAS76A3-009N	BUSHING		1
304	MS21209C0610	INSERT- (USED ON ITEMS 296, 296A, 296C, 298, 298A, 298C)		1
-306	413T1022-13	FOLLOWER-CAM (USED ON ITEMS 296B, 296D)		1
-308	413T1022-14	FOLLOWER-CAM (USED ON ITEMS 298B, 298D)		1

25-28-09

 ILLUSTRATED PARTS LIST
 01.1 Page 1080N
 Apr 01/91

FIG. & ITEM	PART NO.	AIRLINE PART NUMBER	NOMENCLATURE 1234567	EFF CODE	QTY PER ASSY
1B-310	413T1022-9	FOLLOWER-CAM (USED ON ITEMS 296, 296A, 296C)		1
-311	413T1022-17	FOLLOWER-CAM (USED ON ITEM 296E)		1
-313	413T1022-18	FOLLOWER-CAM (USED ON ITEM 298E)		1
314	NAS601-3		...SCREW		2
316	MS35338-136		...WASHER		2
318	413T1083-5		...NUT		2
320	413T1087-1		...BRACKET		1
322	413T1020-1		...ARM ASSY-UPR (USED ON ITEMS 242, 244)		1
-324	413T1020-1		...ARM ASSY-UPR (OPT ITEM 324A) (USED ON ITEMS 242A, 242B, 242C, 244A, 244B, 244C)		1
-324A	413T1020-4		...ARM ASSY-UPR (OPT ITEM 324) (USED ON ITEMS 242A, 242B, 242C, 244A, 244B, 244C)		1
327	NAS773A3-15N	BUSHING		2
329	MS21209C0615	INSERT- (USED ON ITEMS 322, 324)		1
331	413T1020-2	ARM- (USED ON ITEMS 322, 324)		1

25-28-09

ILLUSTRATED PARTS LIST
01.1 Page 10800
Apr 01/91

FIG. & ITEM	PART NO.	AIRLINE PART NUMBER	NOMENCLATURE 1234567	EFF CODE	QTY PER ASSY
1B- -333	413T1020-5	ARM- (USED ON ITEM 324A)		1
336	413T1083-6		...SCREW- (USED ON ITEMS 242, 244)		1
-338	413T1083-11		...SCREW- (USED ON ITEMS 242A, 242B, 242C, 244A, 244B, 244C)		1
340	NAS1515M3L		...WASHER		2
342	413T1084-1		...SHAFT		1
344	413T1021-1		...ARM ASSY-LWR		1
346	NAS77A3-15N	BUSHING		4
348	NAS76A3-007N	BUSHING		1
350	413T1021-2	ARM		1
352	413T1083-8		...SCREW		1
354	413T1086-9		...SUPPORT ASSY-SPR (USED ON ITEMS 242, 242A)		1
-354A	413T1086-9		...SUPPORT ASSY-SPR (OPT ITEM 354B) (USED ON ITEMS 242B, 242C)		1
-354B	413T1086-35		...SUPPORT ASSY-SPR (OPT ITEM 354A) (USED ON ITEMS 242B, 242C)		1
356	413T1086-10		...SUPPORT ASSY-SPR (USED ON ITEMS 244, 244A)		1

25-28-09

 ILLUSTRATED PARTS LIST
 01.1 Page 1080P
 Apr 01/91

 **BOEING**
COMPONENT
MAINTENANCE MANUAL

FIG. & ITEM	PART NO.	AIRLINE PART NUMBER	NOMENCLATURE 1234567	EFF CODE	QTY PER ASSY
1B- -356A	413T1086-10		...SUPPORT ASSY-SPR (OPT ITEM 356B) (USED ON ITEMS 244B, 244C)		1
-356B	413T1086-36		...SUPPORT ASSY-SPR (OPT ITEM 356A) (USED ON ITEMS 244B, 244C)		1
358	UI19136-2B8	INSERT- (V07757) (OPT ITEM 358A)		1
-358A	6035-04BR0219	INSERT- (V01556) (OPT ITEM 358)		1
360	413T1086-11	SUPPORT- (USED ON ITEMS 354, 354A)		1
-360A	413T1086-37	SUPPORT- (USED ON ITEM 354B)		1
-362	413T1086-12	SUPPORT- (USED ON ITEMS 356, 356A)		1
-362B	413T1086-38	SUPPORT- (USED ON ITEM 356B)		1
364	413T1086-3		...HOUSING ASSY-SPR (OPT ITEM 364A) (USED ON ITEMS 242, 242A, 242B, 242C)		1
-364A	413T1086-15		...HOUSING ASSY-SPR (OPT ITEM 364) (USED ON ITEMS 242, 242A, 242B, 242C)		1
-366	413T1086-4		...HOUSING ASSY-SPR (OPT ITEM 366A) (USED ON ITEMS 244, 244A, 244B, 244C)		1
-366A	413T1086-16		...HOUSING ASSY-SPR (OPT ITEM 366) (USED ON ITEMS 244, 244A, 244B, 244C)		1
368	UI19136-2B8	INSERT- (V07757) (OPT ITEM 368A)		1

25-28-09

ILLUSTRATED PARTS LIST
01.1 Page 1080Q
Apr 01/91

FIG. & ITEM	PART NO.	AIRLINE PART NUMBER	NOMENCLATURE 1234567	EFF CODE	QTY PER ASSY
1B- -368A	6035-04BR0219	INSERT- (V01556) (OPT ITEM 368)		1
370	UI19136-6B8	INSERT- (V07757) (OPT ITEM 370A)		1
-370A	6041-3BR0375	INSERT- (V01556) (OPT ITEM 370)		1
372	413T1086-5	HOUSING- (USED ON ITEM 364)		1
-372A	413T1086-17	HOUSING- (USED ON ITEM 364A)		1
-374	413T1086-6	HOUSING- (USED ON ITEM 366)		1
-374A	413T1086-18	HOUSING- (USED ON ITEM 366A)		1
376	413T1017-3		...RECEPTACLE ASSY ATTACHING PARTS		1
378	NAS1352C04LB4		...SCREW -----*-----		2
380	5R3-1	RECEPTACLE- (V71286)		1
382	F1313		..SPRING ASSY-GAS (V55787) (SPEC S413T301-2)		1
387	412T2014-1		.FITTING ASSY ATTACHING PARTS		2
389	NAS623-3-2		.SCREW		4
391	NAS620A10L		.WASHER -----*-----		4
393A	BCREFA0486		DELETED		
393B	BACB28X4M050		..BUSHING- (V23294) (SPEC BACB28X4M050) (OPT BACB28X4M050 (V70265)) (OPT BACB28X4M050 (V94892))		1
395	412T2014-2		..FITTING		1
397	412T1004-1SP		.RAIL ASSY	A-C, E-K	1
399	412T1004-81SP		.RAIL ASSY	D	1
-401	412T1004-82SP		.RAIL ASSY	H	1

25-28-09

 ILLUSTRATED PARTS LIST
 01.1 Page 1080R
 Apr 01/91

 **BOEING**
COMPONENT
MAINTENANCE MANUAL

FIG. & ITEM	PART NO.	AIRLINE PART NUMBER	NOMENCLATURE 1234567	EFF CODE	QTY PER ASSY
1B-			ATTACHING PARTS		
404	NAS6603-2		.BOLT		22
406	NAS6603-2		.BOLT	D	2
408A	AN960JD10LL		.WASHER		22
410A	AN960JD10LL		.WASHER	D	2
			-----*-----		
412	412T1004-17SP		..SURFACE-DECORATIVE	A-C, E-K	1
414	412T1004-46SP		..SURFACE-DECORATIVE	D,H	1
416	2055051		..RETAINER- (V04169)	D,H	1
418	BACR15BA5KE		..RIVET- (SIZE DETERMINE ON INST)	D,H	2
420	412T1008-4		..ANGLE	D,H	1
422	412T1004-9		..RAIL	A-C, E-K	1
424	412T1004-49		..RAIL	D	1
-426	412T1004-50		..RAIL	H	1
430	2055051		..RETAINER- (V04169)		10
432	413T1081-1		.CHANNEL ASSY		1
			ATTACHING PARTS		
434	NAS623-3-1		.SCREW		38
436	NAS623-3-3		.SCREW		2
438	NAS620A10L		.WASHER		40
			-----*-----		
440A	AF5171-3-2		..RIVET- (V53551) (SPEC BACR15DR3-2) (OPT CCR264SS3-2 (V11815)) (OPT RV571A3-2 (V98996))		52

25-28-09

ILLUSTRATED PARTS LIST
01.1 Page 1080S
Apr 01/91

FIG. & ITEM	PART NO.	AIRLINE PART NUMBER	NOMENCLATURE 1234567	EFF CODE	QTY PER ASSY
1B-442	BRF100A3		..NUTPLATE- (V52828) (SPEC BACN10KB3F) (OPT F2000-3 (V15653)) (OPT RMF9207-3 (V72962)) (OPT T8114S1032S (V11815)) (OPT VN151A1-02 (V92215)) (OPT F2000-3 (V15653))		4
444	F5000-3BAC		..NUTPLATE- (V15653) (SPEC BACN10JR3F) (OPT NS103203-02 (V80539)) (OPT RMF9201-3 (V72962)) (OPT T8091S1032 (V11815)) (OPT VN152A1-02 (V92215)) (OPT BRF200A3 (V52828))		22
446	413T1081-6		..CHANNEL		1
450	412T1000-1SP		.RAIL AND BRACKET ASSY- PASS. SVCE UNIT/SIDEWALL SPRT	A-C,J	1
452	412T1000-19SP		.RAIL AND BRACKET ASSY- PASS. SVCE UNIT/SIDEWALL SPRT	D	1

25-28-09

 ILLUSTRATED PARTS LIST
 01.1 Page 1080T
 Apr 01/91

BOEING
COMPONENT
MAINTENANCE MANUAL

FIG. & ITEM	PART NO.	AIRLINE PART NUMBER	NOMENCLATURE 1234567	EFF CODE	QTY PER ASSY
1B- -454	412T1000-2SP		.RAIL AND BRACKET ASSY- PASS. SVCE UNIT/SIDEWALL SPRT	E-G,K	1
-456	412T1000-20SP		.RAIL AND BRACKET ASSY- PASS. SVCE UNIT/SIDEWALL SPRT	H	1
458	NAS1801-3-5		ATTACHING PARTS		12
460	NAS620A10L		.SCREW		12
			.WASHER		12
			-----*		
462	412T1001-1		..CHANNEL ASSY	A-D,K	1
464	412T1001-2		..CHANNEL ASSY	E-H,K	1
			ATTACHING PARTS		
466	NAS6603-3		..BOLT		2
468	NAS623-2-2		..SCREW		2
470	AN960PD10		..WASHER		2
472	AN960PD8L		..WASHER		2
474	H10-08BAC		..NUT-		2
			(V15653)		
			(SPEC BACN10JC08)		
			(OPT NS202101-82		
			(V80539))		
			(OPT RMLH9075-82W		
			(V72962))		
			(OPT T6S832J		
			(V71087))		
			(OPT VN303A82		
			(V92215))		
			(OPT 96-82		
			(V80539))		
			(OPT BRH10A08		
			(V52828))		
			(OPT T6S832J		
			(V11815))		
			-----*		

25-28-09

ILLUSTRATED PARTS LIST
01.1 Page 1080U
Apr 01/91

FIG. & ITEM	PART NO.	AIRLINE PART NUMBER	NOMENCLATURE 1234567	EFF CODE	QTY PER ASSY
1B-476	BACR15BA3AD		...RIVET- (SIZE DETERMINE ON INST)		4
478	BRM100A3		...NUTPLATE- (V52828) (SPEC BACN10JP3B) (OPT MK2000-3BAC (V15653)) (OPT NS103198-02 (V80539)) (OPT RMA9207-3 (V72962)) (OPT T8077S1032 (V11815)) (OPT VN201A1-02 (V92215))		2
480	412T1001-7		...CHANNEL	A-D,J	1
-482	412T1001-8		...CHANNEL	E-H,K	1
484	412T1003-2		..BRACKET ASSY	A-D,J	6
-486	412T1003-1		..BRACKET ASSY ATTACHING PARTS	E-H,K	6
488	NAS6603-3		..BOLT		12
490	AN960PD10		..WASHER -----*-----		12
492	BACR15BA3AD		...RIVET- (SIZE DETERMINE ON INST)		4
494	BRM300A3		...NUTPLATE- (V52828) (SPEC BACN10JP3C) (OPT MK3000-3BAC (V15653)) (OPT NS103199-02 (V80539)) (OPT RMA9205M3 (V72962)) (OPT T8078S1032 (V11815)) (OPT VN203A1-02 (V92215))		2

25-28-09

 ILLUSTRATED PARTS LIST
 01.1 Page 1080V
 Apr 01/91

 **BOEING**
COMPONENT
MAINTENANCE MANUAL

FIG. & ITEM	PART NO.	AIRLINE PART NUMBER	NOMENCLATURE 1234567	EFF CODE	QTY PER ASSY
1B-					
496	412T1003-4		...BRACKET	A-D,J	1
-496A	412T1003-3		...BRACKET	E-H,K	1
498	2055144		..RETAINER- (V04169)	A-C, E-K	14
500	2055144		..RETAINER- (V04169)	D,H	15
504	412T1002-1SP		..RAIL ASSY	A-C,J	1
-504A	412T1002-49SP		..RAIL ASSY	D	1
-506	412T1002-2SP		..RAIL ASSY	E-G,K	1
-506A	412T1002-50SP		..RAIL ASSY	H	1
508	BACR15BB4AD		...RIVET- (SIZE DETERMINE ON INST)		12
510	412T1002-17SP		...SURFACE-DECORATIVE	A-C, E-K	1
512	412T1002-53SP		...SURFACE-DECORATIVE	D,H	1
514	WS1-332A8		...NUTPLATE- (V04169) (SPEC BACN10GH3A8)		6
516	NAS1801-3-12		...SCREW		4
518	MS35338-43		...WASHER		4
520	AN960D10L		...WASHER		8
522	MS35650-305S		...NUT		4
524	412T1002-9		...RAIL-OUTBD	A-C,J	1
-524A	412T1002-51		...RAIL-OUTBD	D	1
-526	412T1002-10		...RAIL-INBD	E-H,K	1
-528	412T1002-52		...RAIL-OUTBD	H	1
530	412T3109-3		.FITTING ASSY	A-C,J	1
-530A	412T3109-6		.FITTING ASSY	D	1
-530B	412T3109-5		.FITTING ASSY	H	1
-532	412T3109-4		.FITTING ASSY	E-G,K	1
536	NAS623-3-1		ATTACHING PARTS .SCREW	C,D,G ,H	2

25-28-09

ILLUSTRATED PARTS LIST
01.1 Page 1080W
Apr 01/91

FIG. & ITEM	PART NO.	AIRLINE PART NUMBER	NOMENCLATURE 1234567	EFF CODE	QTY PER ASSY
1B-					
538	NAS620A10L		.WASHER		11
540	NAS620A10L		.WASHER	C,D,G ,H	2
			-----*-----		
542	BACB28AR06A024A		..BUSHING- (V09455) (SPEC BACB28AR06A024A) (OPT BACB28AR06A024A (V15860)) (OPT BACB28AR06A024A (V50294)) (OPT BACB28AR06A024A (V73134)) (OPT BACB28AR06A024A (V77896)) (OPT BACB28AR06A024A (V97613))	A-C, E-K	1
-542A	BACB28X4C005		..BUSHING- (V23294) (SPEC BACB28X4C005) (OPT BACB28X4C005 (V70265)) (OPT BACB28X4C005 (V94892))	D,H	1
544	412T3109-21		..DOUBLER	A-C, E-K	1
546	412T3109-13		..FITTING	A-C,J	1
-546A	412T3109-16		..FITTING	D	1
-546B	412T3109-15		..FITTING	H	1
-548	412T3109-14		..FITTING	E-G,K	1
550	412T3109-5		.FITTING ASSY	A-D,J	1
-552	412T3109-6		.FITTING ASSY	E-H,K	1
			ATTACHING PARTS		
554	NAS623-3-1		.SCREW		11
556	NAS620A10L		.WASHER		11
			-----*-----		
560	412T3109-15		..FITTING	A-D,J	1
562	412T3109-16		..FITTING	E-H,K	1

25-28-09

 ILLUSTRATED PARTS LIST
 01.1 Page 1080X
 Apr 01/91

FIG. & ITEM	PART NO.	AIRLINE PART NUMBER	NOMENCLATURE 1234567	EFF CODE	QTY PER ASSY
1B-567	HL19PB10-24		.BOLT- (V56878) (SPEC BACB30FN10-24) (OPT HL19PB10-24 (V73197)) (OPT HL19PB10-24 (V92215)) (OPT HL19PB10-24 (V97928)) (OPT 62547-10-24 (V56878)) (OPT HL19PB10-24 (V80539)) (OPT WC2510-24 (V60516)) (OPT HL19PB10-24 (V60516)) (OPT HL19PB10-24 (V08524))		1
569	BACB28Z5-025		.BUSHING- (V23294) (SPEC BACB28Z5-025) (OPT BACB28Z5-025 (V70265)) (OPT BACB28Z5-025 (V94892))		1
571	412T2047-1		.SPACER		1
573	AN960C516		.WASHER		1
575	H01-5BAC		.NUT- (V15653) (SPEC BACN10JC5CM) (OPT T6C524JM (V11815)) (OPT 109LH9075-5W (V72962)) (OPT 97E054 (V80539))		1

25-28-09

FIG. & ITEM	PART NO.	AIRLINE PART NUMBER	NOMENCLATURE 1234567	EFF CODE	QTY PER ASSY
1B-577	BACB30LU3-9		.BOLT- (V06710) (SPEC BACB30LU3-9) (OPT BACB30LU3-9 (V06725)) (OPT BACB30LU3-9 (V06950)) (OPT BACB30LU3-9 (V17943)) (OPT BACB30LU3-9 (V27624)) (OPT BACB30LU3-9 (V56878)) (OPT BACB30LU3-9 (V80539)) (OPT BACB30LU3-9 (V85495)) (OPT BACB30LU3-9 (V92215)) (OPT BACB30LU3-9 (V97928))		8
579	NAS514P1032-18		.SCREW		1
581	412T2046-3		.DOUBLER	A-D,K	1
-583	412T2046-4		.DOUBLER	E-H,K	1
585	AN960PD10L		.WASHER		9
587	H10-3BAC		.NUT- (V15653) (SPEC BACN10JC3) (OPT NS202101-02 (V80539)) (OPT RMLH9075-3W (V72962)) (OPT T6S1032J (V71087)) (OPT VN303A02 (V92215)) (OPT 96-02 (V80539)) (OPT BRH10A3 (V52828))		9
590	412T2013-3		.FITTING		1
595	412T2010-1		.TIE ASSY-TNSN (OPT ITEM 595A)		1
597	412T2010-2		..TUBE- (USED ON ITEM 595)		1

25-28-09

 **BOEING**
COMPONENT
MAINTENANCE MANUAL

FIG. & ITEM	PART NO.	AIRLINE PART NUMBER	NOMENCLATURE 1234567	EFF CODE	QTY PER ASSY
1B-601	412T2010-3		..PAD- (USED ON ITEM 595)		1
604	412T2011-1		..FITTING ASSY- (USED ON ITEM 595)		1
606	SALPYT6-16		ATTACHING PARTS ..BOLT- (V11815) (SPEC BACB30GW6-16) (OPT SALPYT6-16 (V29666)) (OPT SALPYT6-16 (V17446))		2
608	2DCC6		..COLLAR- (V11815) (SPEC BACC30K6) (OPT 2DCC6 (V17446)) -----*		2
610	HU4-134		...BEARING- (V02758) (SPEC BACB10AB4) (OPT ABW4V5 (V50294)) (OPT AB4VCRG (V15860)) (OPT BSSR4804 (V81376)) (OPT KWB4-20CRG (V97613)) (OPT WG4E (V73134)) (OPT 55282 (V09455)) (OPT WC4G1 (V56644))		1
612	412T2011-2		...FITTING		1
614	10-60779-112L		..BEARING-ROD END (USED ON ITEM 595)		1
617	412T2012-2		..NUT- (USED ON ITEM 595)		1
619	412T2012-1		..SLEEVE- (USED ON ITEM 595)		1
621	AN316-6L		..NUT- (USED ON ITEM 595)		1

25-28-09

ILLUSTRATED PARTS LIST
01.1 Page 1081
Apr 01/91

FIG. & ITEM	PART NO.	AIRLINE PART NUMBER	NOMENCLATURE 1234567	EFF CODE	QTY PER ASSY
1B-623	413T1095-6		.RETAINER ASSY- (OPT ITEM 623A)	A-H	1
-623A	413T1095-8		.RETAINER ASSY- (OPT ITEM 623)	A-H	1
-623B	413T1095-8		.RETAINER ASSY ATTACHING PARTS	JK	1
625	NAS514P1032-9		.SCREW -----*-----		1
627	413T1095-5		..PLUG		1
629	BACS18K10-18W		..SPACER- (V08073) (SPEC BACS18K10-18W) (USED ON ITEM 623)	A-H	1
-629A	BACS18K10-18		..SPACER- (USED ON ITEMS 623A, 623B)		1
631	BACS18K10-23W		..SPACER- (V08073) (SPEC BACS18K10-23W) (USED ON ITEM 623)	A-H	1
-631A	BACS18K10-23		..SPACER- (USED ON ITEMS 623A, 623B)		1
633	BACS18K10-15W		..SPACER- (V08073) (SPEC BACS18K10-15W) (USED ON ITEM 623)	A-H	1
-633A	BACS18K10-15		..SPACER- (USED ON ITEMS 623A, 623B)		1
635	413T1095-3		..RETAINER- (USED ON ITEM 623)	A-H	1
-635A	413T1095-10		..RETAINER- (USED ON ITEM 623A)		1
640	413T1120-1		.RETAINER ASSY	B,F	1
645	413T1120-2		.RETAINER ASSY ATTACHING PARTS	B,F	1
650	NAS623-3-8		.SCREW	B,F	4
653	NAS623-3-1		.SCREW	B,F	4
656	NAS620A10L		.WASHER	B,F	8
659	BACW10P67S		.WASHER- (V10630) (SPEC BACW10P67S)	B,F	4

25-28-09

 ILLUSTRATED PARTS LIST
 01.1 Page 1082
 Apr 01/91

 **BOEING**
COMPONENT
MAINTENANCE MANUAL

FIG. & ITEM	PART NO.	AIRLINE PART NUMBER	NOMENCLATURE 1234567	EFF CODE	QTY PER ASSY
1B-662	H10-3BAC		.NUT- (V15653) (SPEC BACN10JC3) (OPT NS202101-02 (V80539)) (OPT RMLH9075-3W (V72962)) (OPT T6S1032J (V71087)) (OPT VN303A02 (V92215)) (OPT 96-02 (V80539)) (OPT BRH10A3 (V52828)) -----*	B,F	4
668	413T1120-6		..SPACER	B,F	1
671	413T1120-3		..RETAINER- (USED ON ITEM 640)	B,F	1
674	413T1120-4		..RETAINER- (USED ON ITEM 645)	B,F	1
677	NAS623-3-1		.SCREW	B,F	4
680	NAS623-3-8		.SCREW	B,F	4
683	NAS620A10L		.WASHER	B,F	8
686	BACW10P67S		.WASHER- (V10630) (SPEC BACW10P67S)	B,F	4
689	H10-3BAC		.NUT- (V15653) (SPEC BACN10JC3) (OPT NS202101-02 (V80539)) (OPT RMLH9075-3W (V72962)) (OPT T6S1032J (V71087)) (OPT VN303A02 (V92215)) (OPT 96-02 (V80539)) (OPT BRH10A3 (V52828))	B,F	4
692	413T1120-5		.RETAINER	B,F	2
698	413T1012-1		.PANEL ASSY-DIVIDER	B	1
-698A	413T1012-2		.PANEL ASSY-DIVIDER	F	1

25-28-09

ILLUSTRATED PARTS LIST
01.1 Page 1082A
Apr 01/91

FIG. & ITEM	PART NO.	AIRLINE PART NUMBER	NOMENCLATURE 1234567	EFF CODE	QTY PER ASSY
1B-			ATTACHING PARTS		
701	NAS623-3-1		.SCREW	B,F	3
704	NAS620A10L		.WASHER	B,F	3
			-----*-----		
706	413T1012-5		DELETED		
708	NAS1836-3-11		..INSERT	B,F	7
711	NAS623-3-1		.SCREW	B,F	3
714	NAS620A10L		.WASHER	B,F	3
717	413T1098-1		.BRACKET	B,F	3
723	413T1013-7		.SHELL ASSY	A	1
-723A	413T1013-111		.SHELL ASSY	B	1
-723B	413T1013-303		.SHELL ASSY	C	1
-723C	413T1013-245		.SHELL ASSY	D	1
-723D	413T1013-473		.SHELL ASSY	J	1
-726	413T1013-8		.SHELL ASSY	E	1
-726A	413T1013-112		.SHELL ASSY	F	1
-726B	413T1013-304		.SHELL ASSY	G	1
-726C	413T1013-246		.SHELL ASSY	H	1
-726D	413T1013-474		.SHELL ASSY	K	1
730	413T1013-21		..PANEL ASSY-INBD		1
733	413T1013-22		..PANEL ASSY-INBD		1
736	NAS1836-3-07		...INSERT		5
739	413T1013-29		..PANEL ASSY-FWD	A-D,J	1
-741	413T1013-30		..PANEL ASSY-FWD	E-H,K	1
745	NAS1836-3-400		...INSERT-		3
			(OPT ITEM 745A)		
-745A	NAS1834A3-400		...INSERT-		3
			(OPT ITEM 745)		
748	NAS1836-3-11		...INSERT		28

25-28-09

 ILLUSTRATED PARTS LIST
 01.1 Page 1082B
 Apr 01/91

FIG. & ITEM	PART NO.	AIRLINE PART NUMBER	NOMENCLATURE 1234567	EFF CODE	QTY PER ASSY
1B-					
751	413T1013-27		..PANEL ASSY	A	1
-751A	413T1013-113		..PANEL ASSY	B	1
-751B	413T1013-299		..PANEL ASSY	C	1
-751C	413T1013-247		..PANEL ASSY	D	1
-751D	413T1013-315		..PANEL ASSY		1
-753	413T1013-28		..PANEL ASSY	E	1
-753A	413T1013-114		..PANEL ASSY	F	1
-753B	413T1013-300		..PANEL ASSY	G	1
-753C	413T1013-248		..PANEL ASSY	H	1
-753D	413T1013-316		..PANEL ASSY	K	1
757	NAS1833-3-400		...INSERT		1
760	NAS1834-3-400		...INSERT-	A,C-E	17
			(OPT ITEM 760A)	,G-K	
-760A	NAS1834A3-400		...INSERT-	A,C-E	17
			(OPT ITEM 760)	,G-K	
763	NAS1834-3-400		...INSERT-	B,F	25
			(OPT ITEM 763A)		
-763A	NAS1834A3-400		...INSERT-	B,F	25
			(OPT ITEM 763)		
766	NAS1834-4-400		...INSERT-		8
			(OPT ITEM 766A)		
-766A	NAS1834A3-400		...INSERT-		8
			(OPT ITEM 766)		
769	NAS1836-08-11		...INSERT		6
772	NAS1836-3-11		...INSERT	A,C,E	98
				,G,J,	
				K	
775	NAS1836-3-11		...INSERT	D,H	99
778	NAS1836-3-11		...INSERT	B,F	103

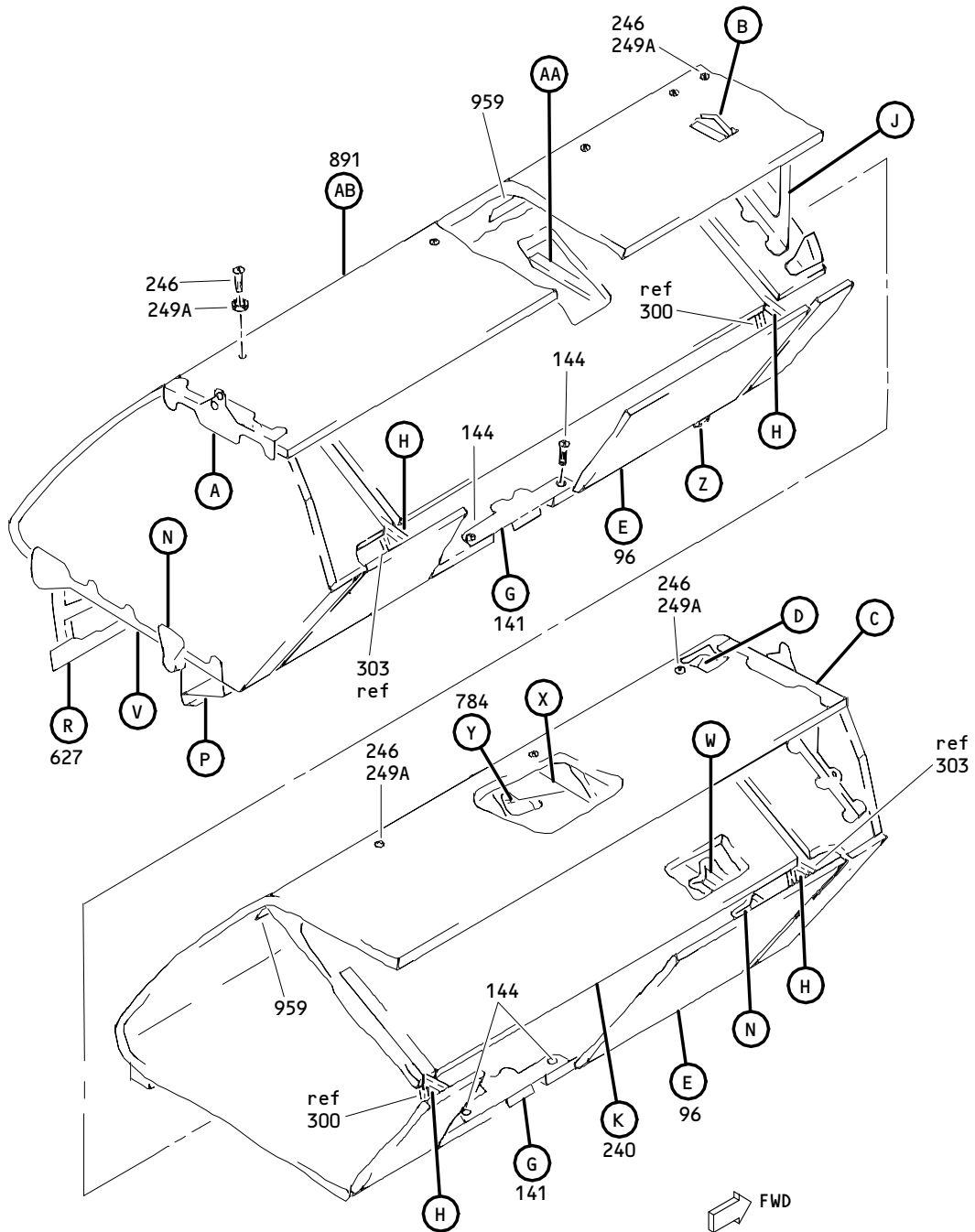
25-28-09

ILLUSTRATED PARTS LIST
01.1 Page 1082C
Apr 01/91

FIG. & ITEM	PART NO.	AIRLINE PART NUMBER	NOMENCLATURE 1234567	EFF CODE	QTY PER ASSY
1B-781	SL618-3A		...INSERT- (V97393)		15
784	NAS1836-3-11		...INSERT	C	4
787	NAS1836-3-11		...INSERT	G	6
790	NAS1834C4-400		...INSERT		1
793	NAS1834C5-400		...INSERT		1
800	413T1013-101		..PANEL ASSY-AFT	A-C,J	1
-800A	413T1013-251		..PANEL ASSY-AFT	D	1
-802	413T1013-102		..PANEL ASSY-AFT	E-G,K	1
-802A	413T1013-252		..PANEL ASSY-AFT	H	1
805	NAS1834-3-400		...INSERT- (OPT ITEM 805A)	A-C, E-K	3
-805A	NAS1834A3-400		...INSERT- (OPT ITEM 805)	A-C, E-K	3
808	NAS1834-3-400		...INSERT- (OPT ITEM 808A)	D,H	5
-808A	NAS1834A3-400		...INSERT- (OPT ITEM 808)	D,H	5
811	NAS1836-3-11		...INSERT	A-C, E-K	22
814	NAS1836-3-11		...INSERT	D,H	22
817	SL618-3A		...INSERT- (V97393)	D,H	5
830	BAC27TPPS0246		.DECAL-DOOR MUST BE LATCHED CLOSED LOAD LIMIT 87LB/39 KG		2

25-28-09

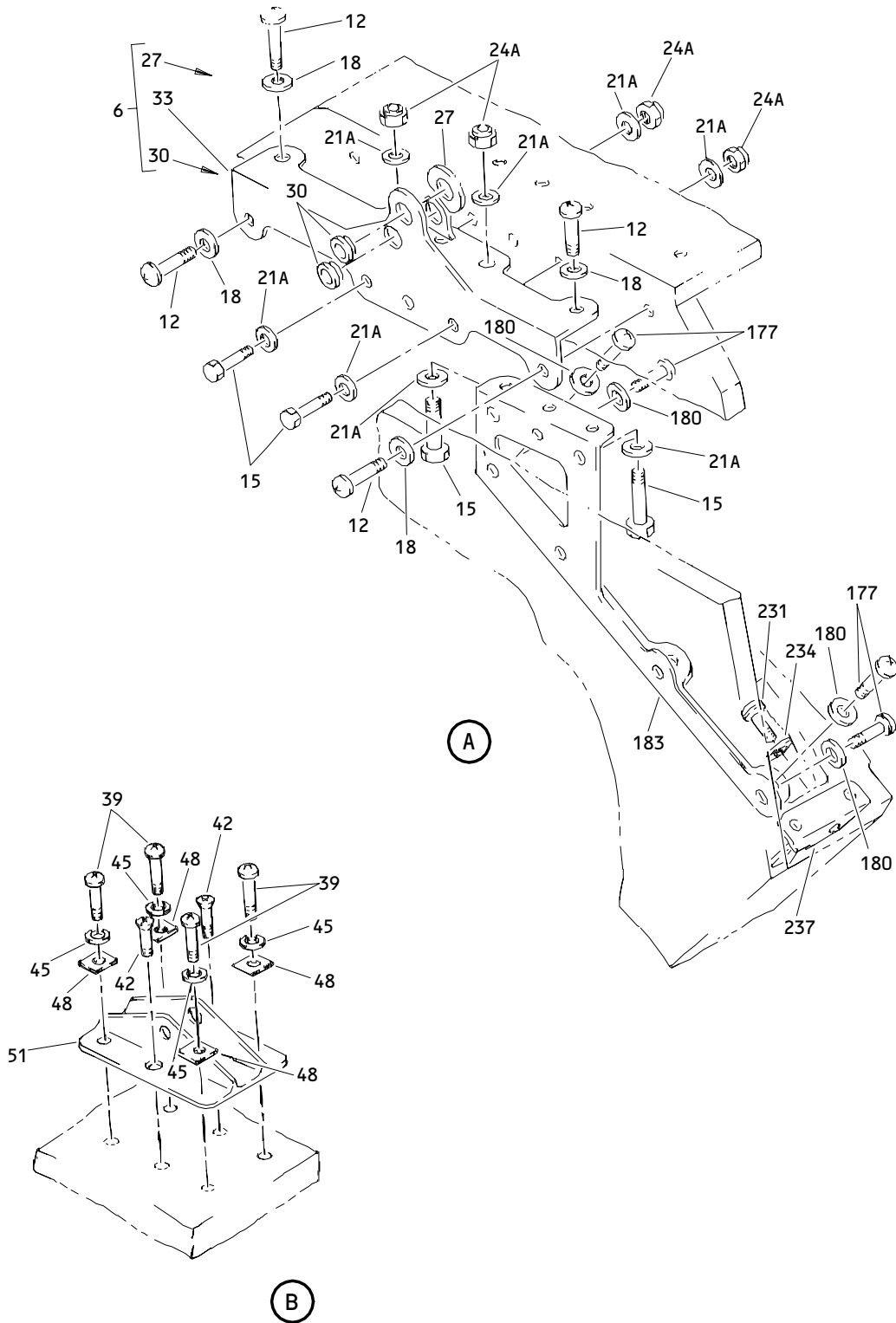
 ILLUSTRATED PARTS LIST
 01.1 Page 1082D
 Apr 01/91



Outboard Overhead Stowage Bin Assembly
Figure 1C (Sheet 1)

25-28-09

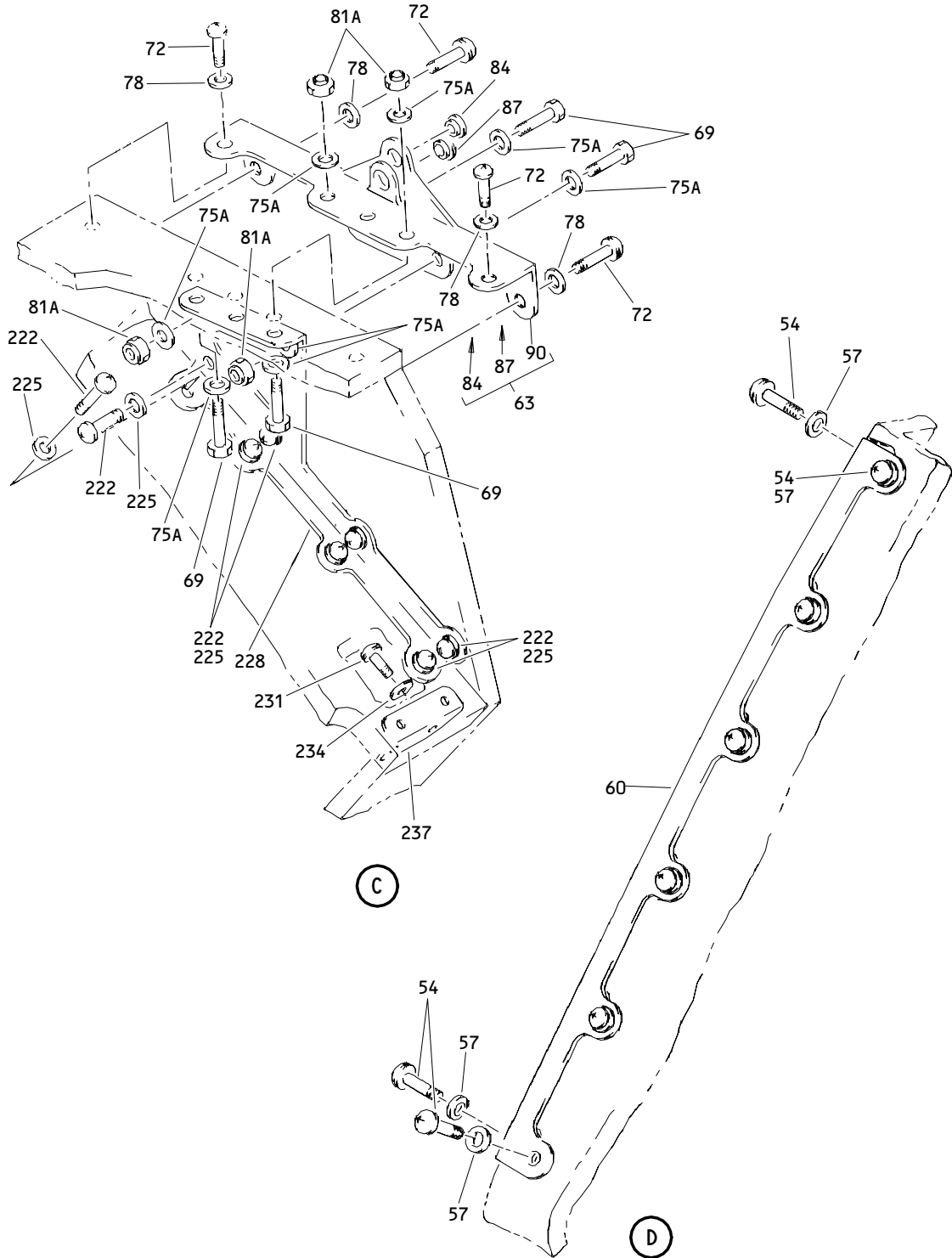
ILLUSTRATED PARTS LIST
01.1 Page 1082E
Apr 01/91



Outboard Overhead Stowage Bin Assembly
Figure 1C (Sheet 2)

25-28-09

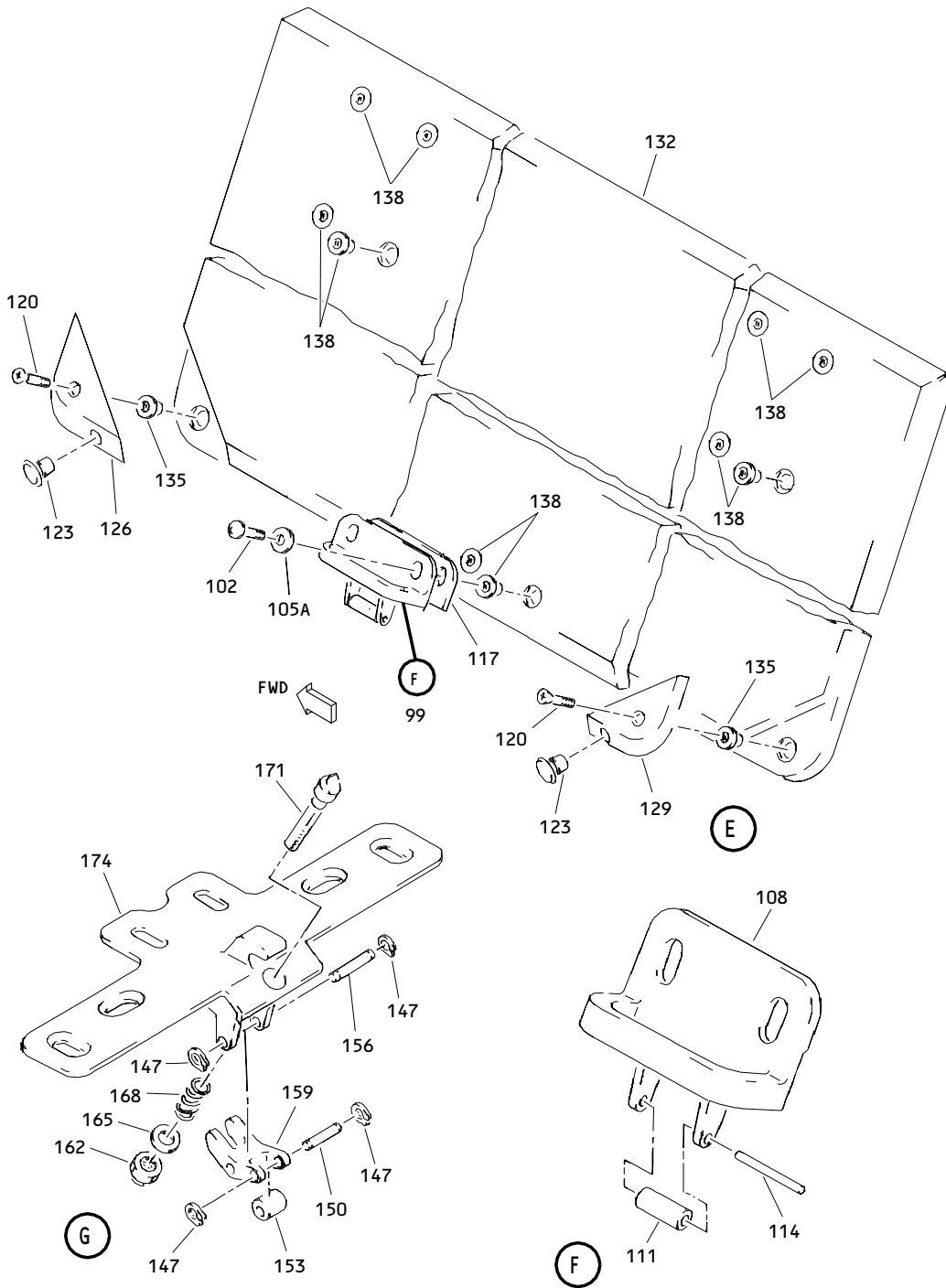
ILLUSTRATED PARTS LIST
 01.1 Page 1082F
 Apr 01/91



Outboard Overhead Stowage Bin Assembly
Figure 1C (Sheet 3)

25-28-09

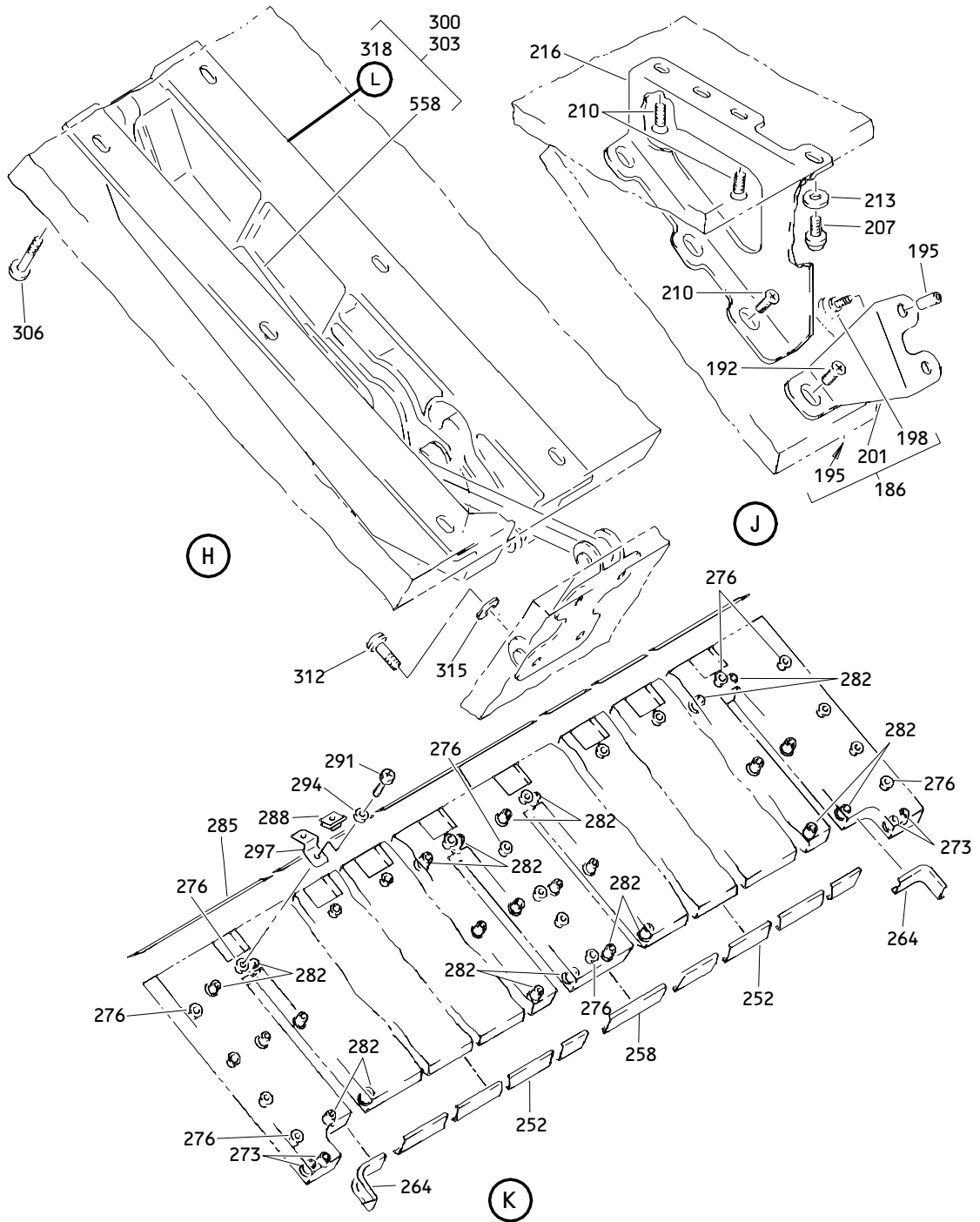
ILLUSTRATED PARTS LIST
01.1 Page 1082G
Apr 01/91



Outboard Overhead Storage Bin Assembly
 Figure 1C (Sheet 4)

25-28-09

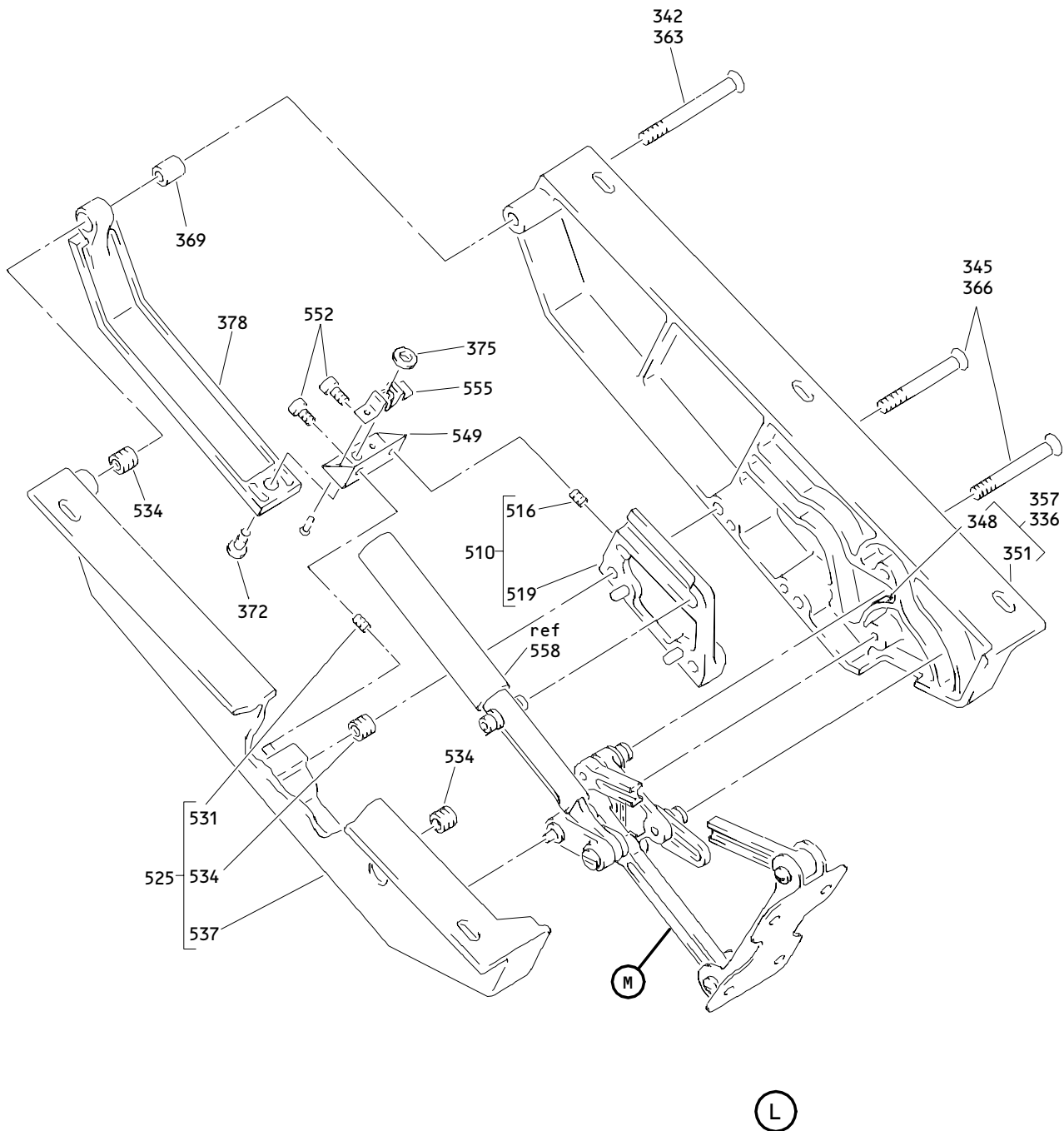
ILLUSTRATED PARTS LIST
 01.1 Page 1082H
 Apr 01/91



Outboard Overhead Storage Bin Assembly
Figure 1C (Sheet 5)

25-28-09

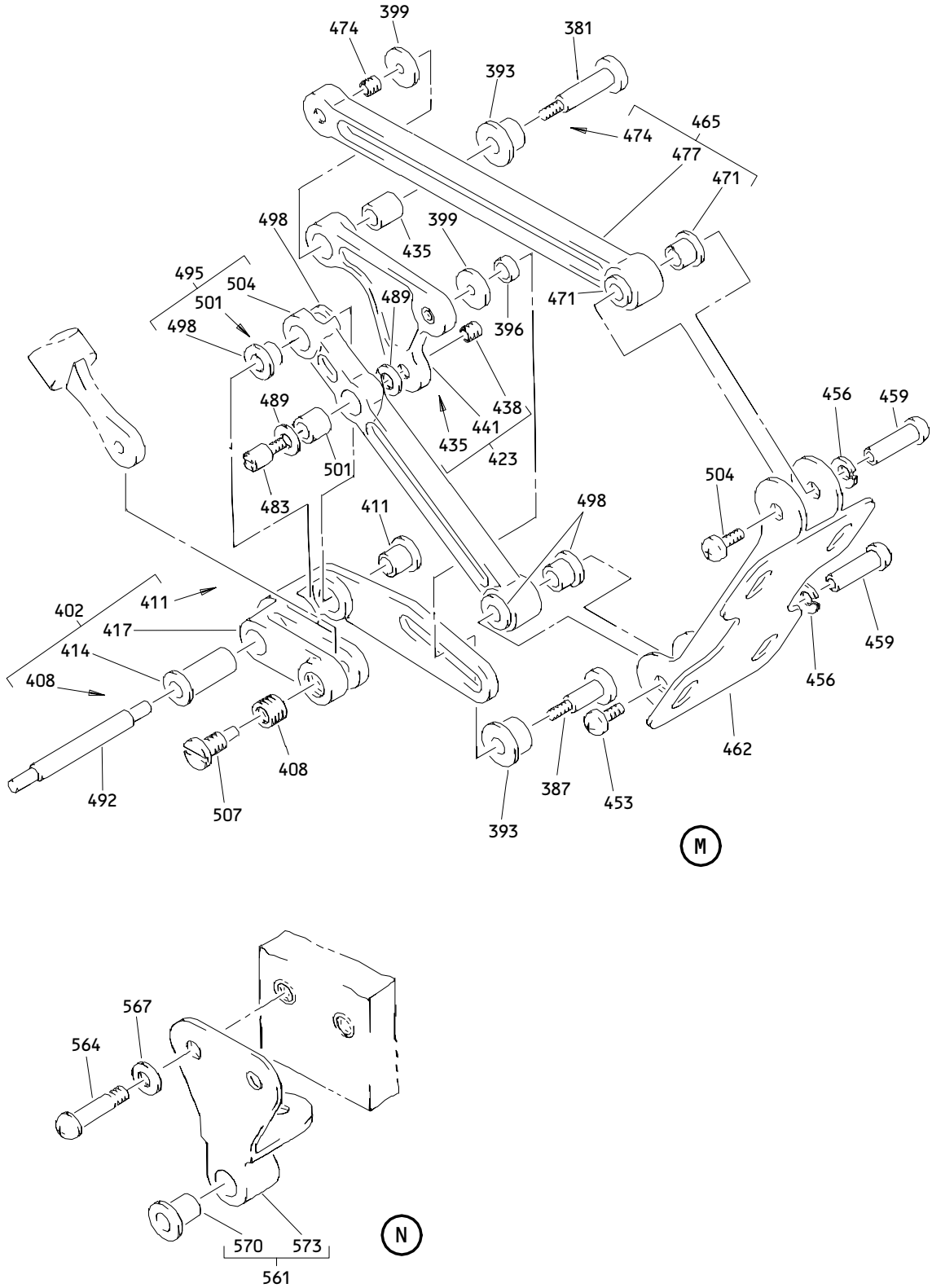
ILLUSTRATED PARTS LIST
01.1 Page 1082I
Apr 01/91



Outboard Overhead Stowage Bin Assembly
Figure 1C (Sheet 6)

25-28-09

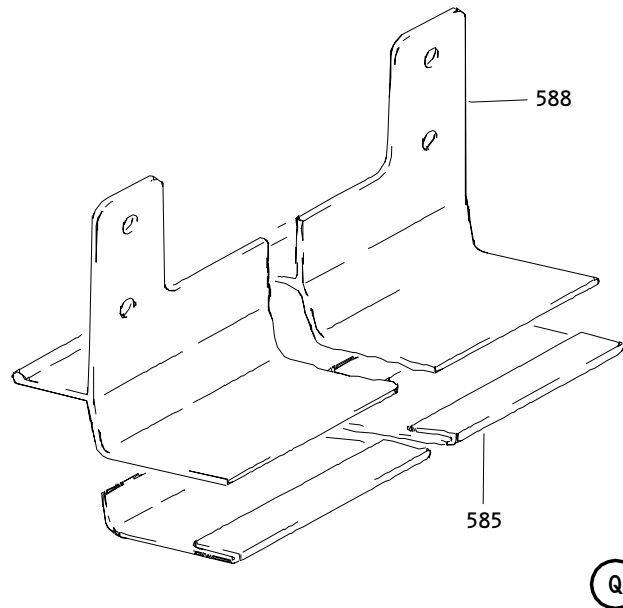
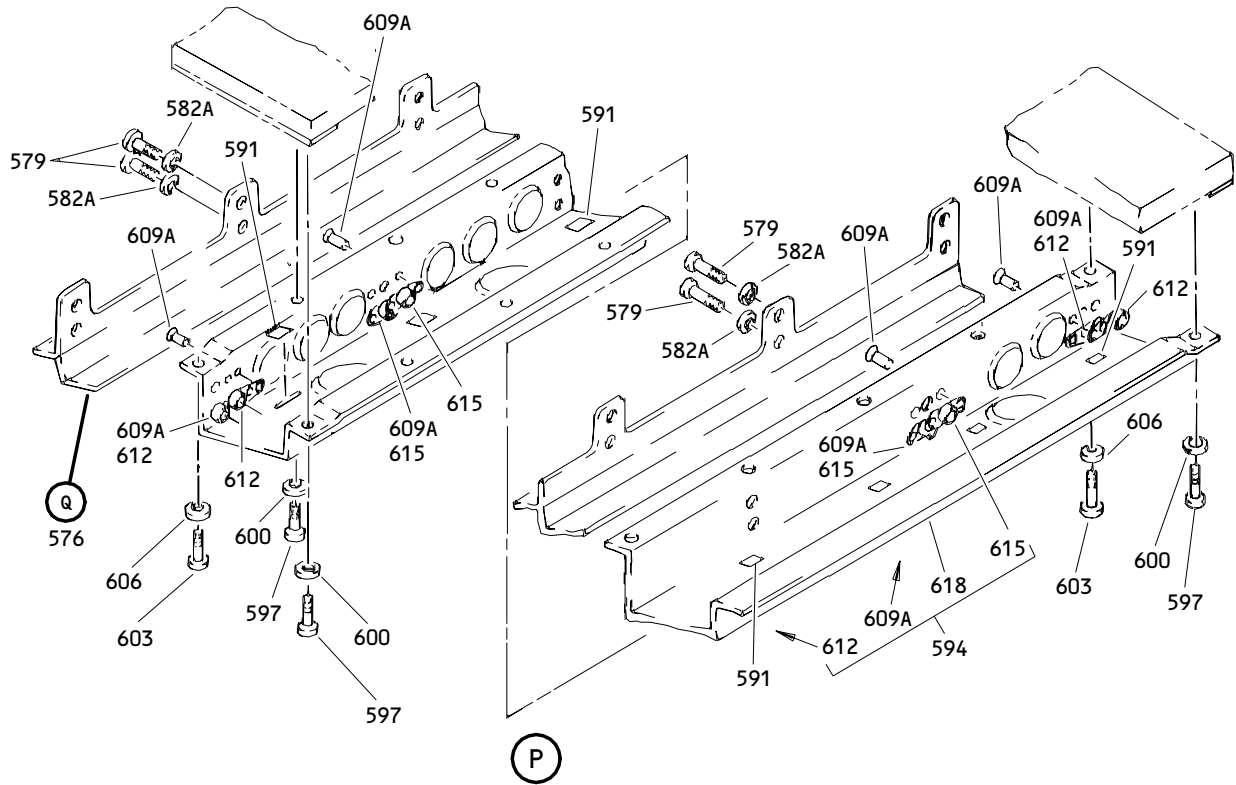
ILLUSTRATED PARTS LIST
01.1 Page 1082J
Apr 01/91



Outboard Overhead Storage Bin Assembly
Figure 1C (Sheet 7)

25-28-09

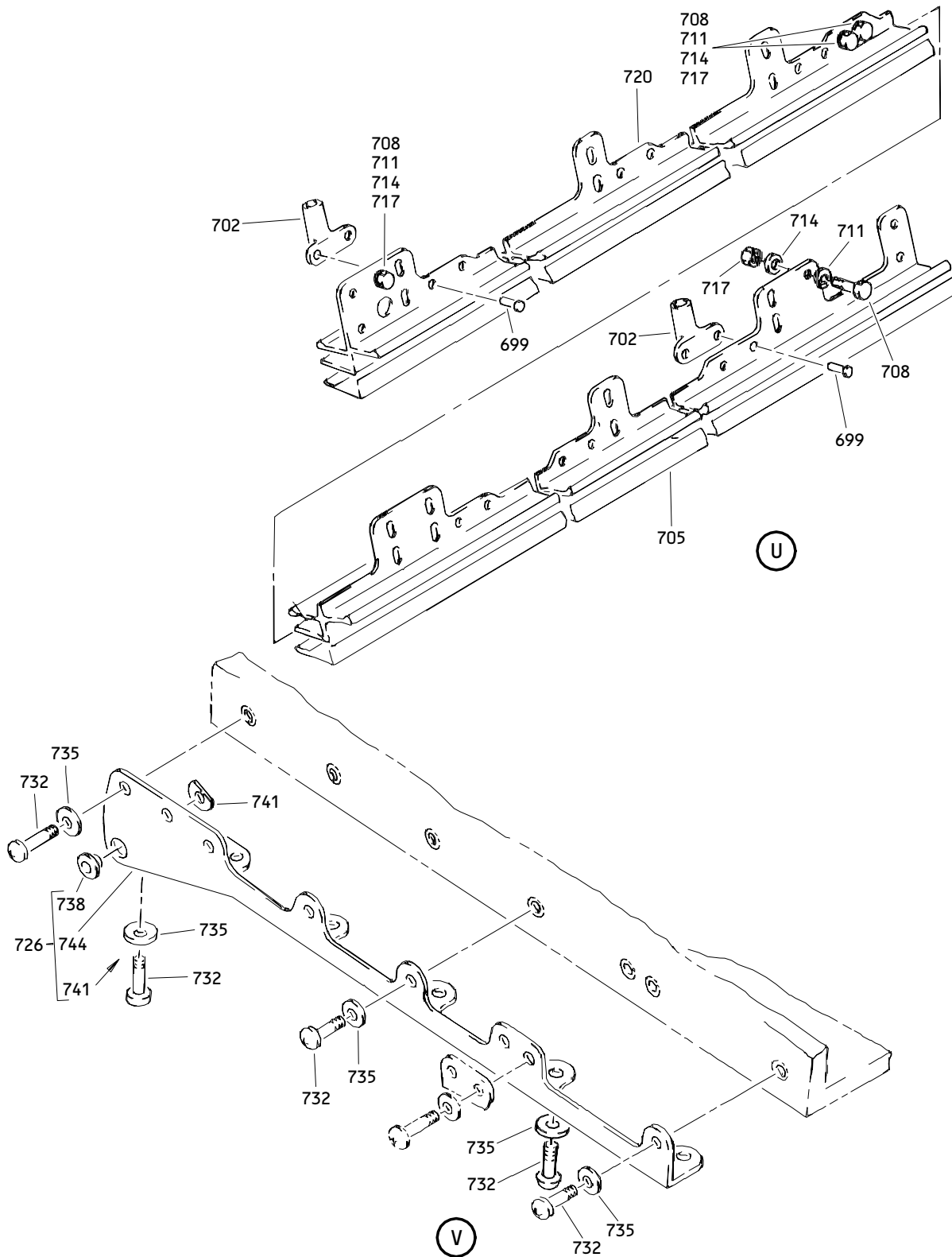
ILLUSTRATED PARTS LIST
01.1 Page 1082K
Apr 01/91



Outboard Overhead Storage Bin Assembly
 Figure 1C (Sheet 8)

25-28-09

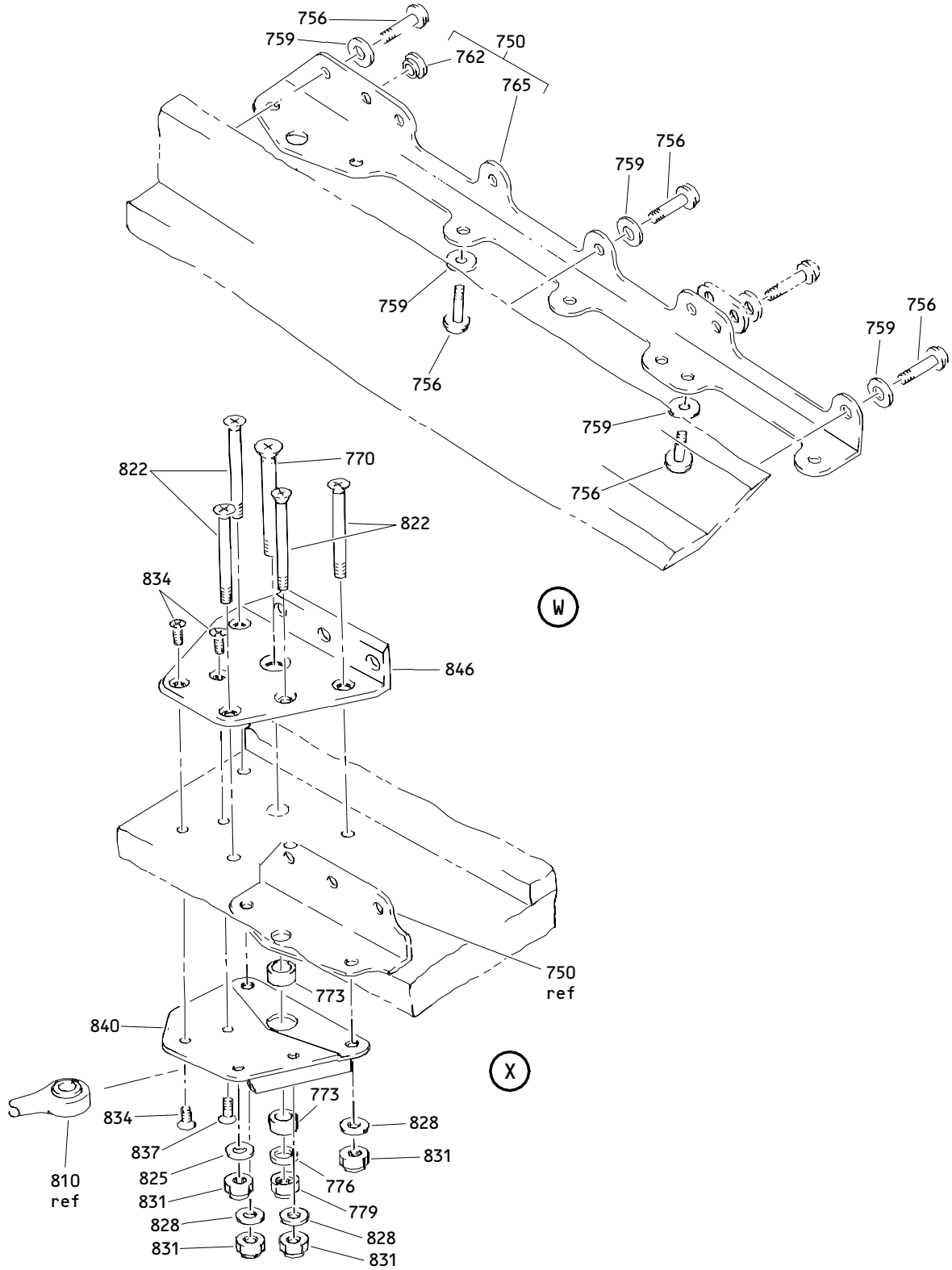
ILLUSTRATED PARTS LIST
 01.1 Page 1082L
 Apr 01/91



Outboard Overhead Storage Bin Assembly
 Figure 1C (Sheet 10)

25-28-09

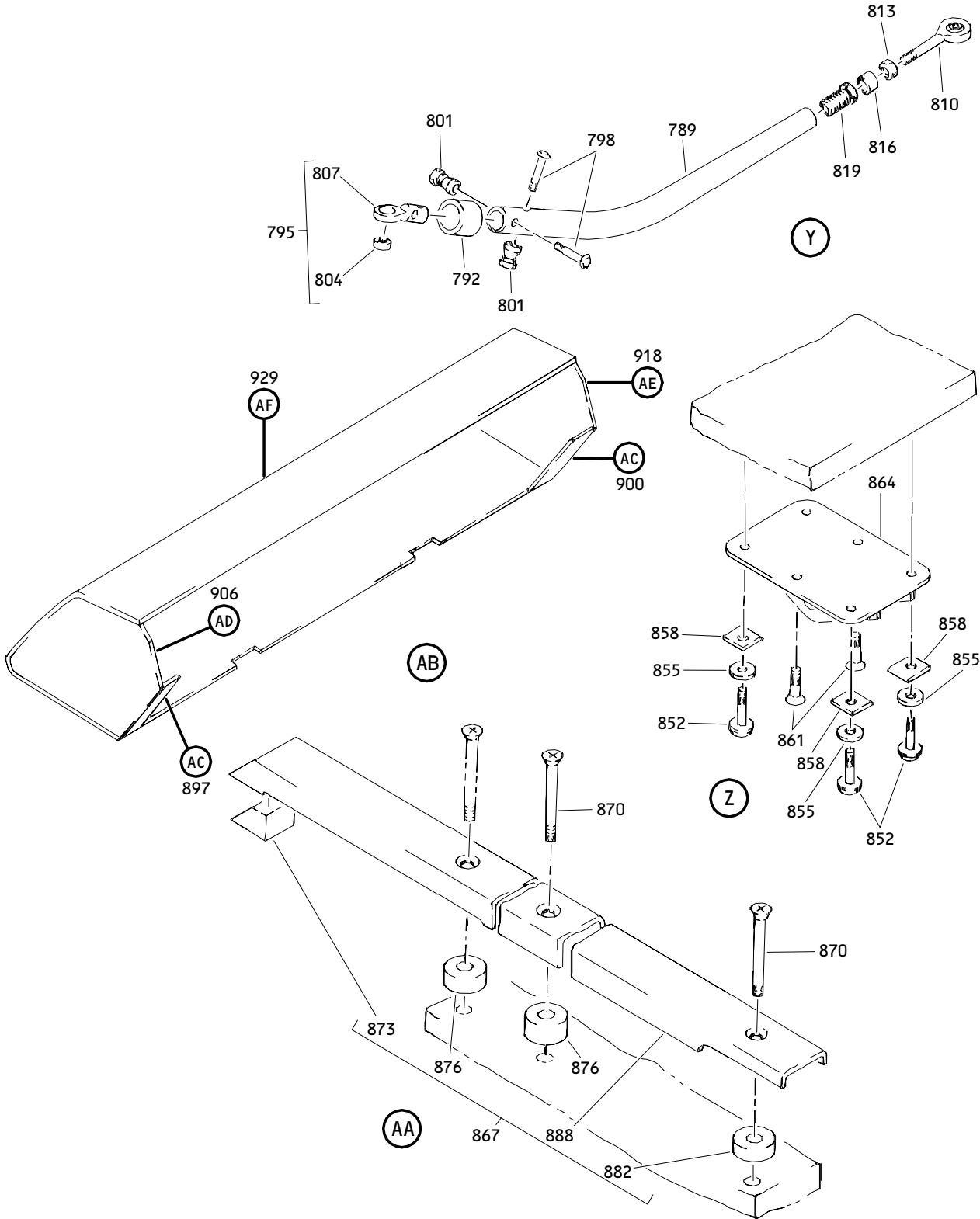
ILLUSTRATED PARTS LIST
 01.1 Page 1082N
 Apr 01/91



Outboard Overhead Storage Bin Assembly
 Figure 1C (Sheet 11)

25-28-09

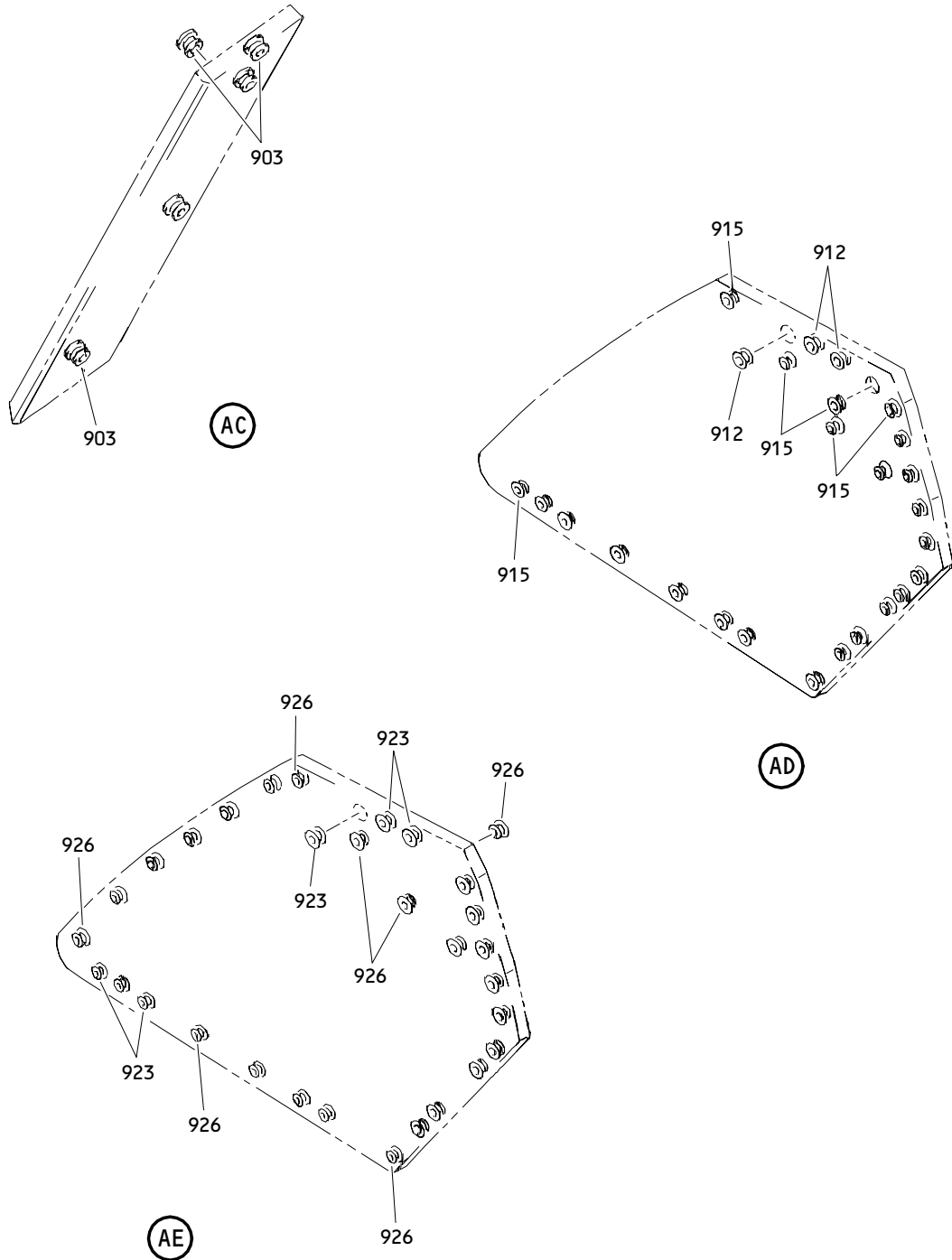
ILLUSTRATED PARTS LIST
 01.1 Page 10820
 Apr 01/91



Outboard Overhead Storage Bin Assembly
 Figure 1C (Sheet 12)

25-28-09

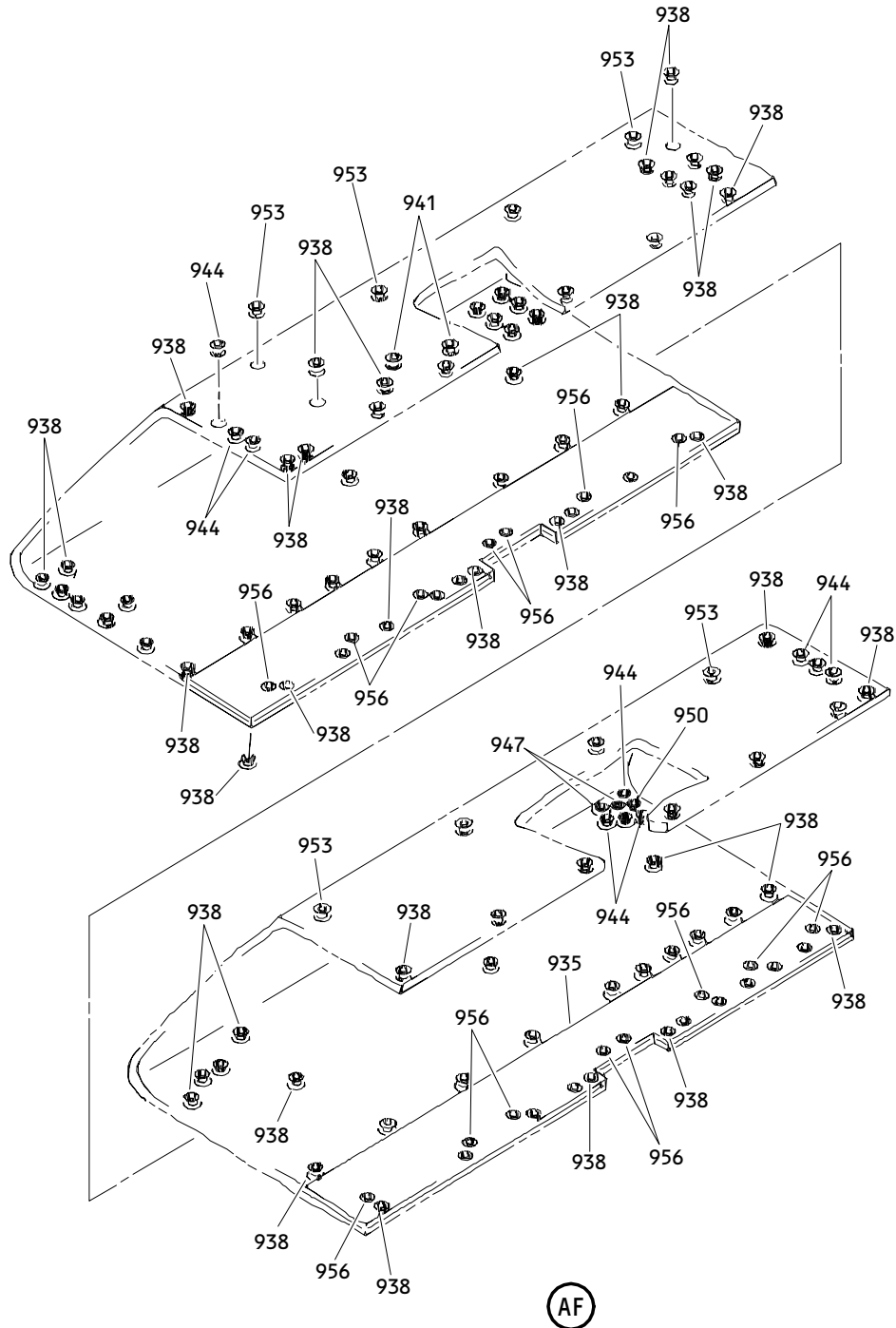
ILLUSTRATED PARTS LIST
 01.1 Page 1082P
 Apr 01/91



Outboard Overhead Storage Bin Assembly
Figure 1C (Sheet 13)

25-28-09

ILLUSTRATED PARTS LIST
01.1 Page 1082Q
Apr 01/91



Outboard Overhead Stowage Bin Assembly
Figure 1C (Sheet 14)

25-28-09

ILLUSTRATED PARTS LIST
01.1 Page 1082R
Apr 01/91

FIG. & ITEM	PART NO.	AIRLINE PART NUMBER	NOMENCLATURE 1234567	EFF CODE	QTY PER ASSY
1C-1	413T1002-63SP		BIN ASSY-OUTBD OVERHEAD STOWAGE (LH)	A	RF
3	413T1002-64SP		BIN ASSY-OUTBD OVERHEAD STOWAGE (RH)	B	RF
6	412T3108-3		.FITTING ASSY	A	1
9	412T3108-4		.FITTING ASSY	B	1
12	NAS623-3-1		.ATTACHING PARTS		4
15	NAS6603-9		.SCREW		6
18	NAS620A10L		.BOLT		4
21A	AN960JD10LL		.WASHER		12
24A	MS21042L3		.WASHER		6
			.NUT		6
			-----*-----		
27	412T3108-17		..DOUBLER		1
30	BACB28AR06A024A		DELETED		
30A	BACB28X6M024		..BUSHING- (V23294) (SPEC BACB28X6M024) (OPT BACB28X6M024 (V70265)) (OPT BACB28X6M024 (V94892))		2
33	412T3108-9		..FITTING	A	1
-36	412T3108-10		..FITTING	B	1
39	NAS623-3-2		.SCREW		4
42	NAS514P1032-5		.SCREW		2
45	NAS620A10L		.WASHER		4
48	413T1002-19		.FILLER		4
51	412T2013-4		..FITTING		1
54	NAS623-3-1		.SCREW		12
57	NAS620A10L		.WASHER		12
60	412T2013-2		.ANGLE		1

25-28-09

FIG. & ITEM	PART NO.	AIRLINE PART NUMBER	NOMENCLATURE 1234567	EFF CODE	QTY PER ASSY
1C-					
63	412T3108-5		.FITTING ASSY	A	1
-66	412T3108-6		.FITTING ASSY	B	1
			ATTACHING PARTS		
69	NAS6603-9		.BOLT		6
72	NAS623-3-1		.SCREW		4
75A	AN960JD10L		.WASHER		12
78	NAS620A10L		.WASHER		4
81A	MS21042L3		.NUT		6
			-----*-----		
84	BACB28X4C009		..BUSHING- (V23294) (SPEC BACB28X4C009) (OPT BACB28X4C009 (V70265)) (OPT BACB28X4C009 (V94892))		1
87	BACB28X4C024		..BUSHING- (V23294) (SPEC BACB28X4C024) (OPT BACB28X4C024 (V70265)) (OPT BACB28X4C024 (V94892))		1
90	412T3108-11		..FITTING	A	1
93	412T3108-12		..FITTING	B	1
96	413T1007-64SP		.DOOR ASSY- (OPT ITEM 96A)		2
-96A	413T1007-84SP		.DOOR ASSY- (OPT ITEM 96)		2

25-28-09

 ILLUSTRATED PARTS LIST
 01.1 Page 1082T
 Apr 01/91

 **BOEING**
COMPONENT
MAINTENANCE MANUAL

FIG. & ITEM	PART NO.	AIRLINE PART NUMBER	NOMENCLATURE 1234567	EFF CODE	QTY PER ASSY
1C-99	413T1028-4		..STRIKE ASSY- (OPT ITEM 99A)		1
-99A	413T1028-5		..STRIKE ASSY- (OPT ITEM 99) ATTACHING PARTS		1
102	NAS623-3-1W		..SCREW		2
105A	AN960PD10L		..WASHER -----*-----		2
108	413T1028-2		...STRIKE		1
111	413T1093-3		...ROLLER- (USED ON ITEM 99)		1
-111A	NAS1056C3-056		...ROLLER- (USED ON ITEM 99A)		1
112	MS51859-1		...BUSHING- (USED ON ITEM 99A)		2
114	MS20253-2-083		...PIN-HINGE		1
117	413T1132-1		..SHIM- (USED ON ITEM 96)		1
120	NAS514P1032-6		..SCREW		2
123	413T1010-1		..BUMPER		2
126	413T1118-3		..COVER		1
129	413T1118-4		..COVER		1
132	413T1007-10SP		..COVER-DECORATIVE		1
135	SL618-3A		..INSERT- (V97393)		2
138	NAS1836-3-11		..INSERT		10
141	413T1024-2		.LATCH ASSY ATTACHING PARTS		2
144	NAS514P1032-5		.SCREW -----*-----		4
147	MS16624-5012		..RING		4
150	413T1090-3		..PIN		1
153	413T1093-2		..ROLLER		1
156	413T1090-1		..PIN		1
159	413T1091-1		..ARM		1

25-28-09

FIG. & ITEM	PART NO.	AIRLINE PART NUMBER	NOMENCLATURE 1234567	EFF CODE	QTY PER ASSY
1C-162	H10-08BAC		..NUT- (V15653) (SPEC BACN10JC08) (OPT NS202101-82 (V80539)) (OPT RMLH9075-82W (V72962)) (OPT T6S832J (V71087)) (OPT VN303A82 (V92215)) (OPT 96-82 (V80539)) (OPT BRH10A08 (V52828)) (OPT T6S832J (V11815))		1
165	AN960C8		..WASHER		1
168	MS24585C93		..SPRING		1
171	413T1092-2		..BOLT		1
174	413T1030-3		..BODY- (OPT ITEM 174A)		1
174A	413T1030-4		..BODY- (OPT ITEM 174)		1
177	NAS623-3-1		.SCREW		8
180	NAS620A10L		.WASHER		8
183	413T1014-1		.BRACKET		1
186	413T1015-21		.BRACKET ASSY	A	1
189	413T1015-22		.BRACKET ASSY	B	1
			ATTACHING PARTS		
192	NAS514P1032-5		.SCREW -----*		1
195	NAS42DD6-6		..SPACER		2
198	SL6161-08-4		..STUD- (V97393)		2
201	413T1015-23		..BRACKET	A	1
-204	413T1015-24		..BRACKET	B	1
207	NAS623-3-1		.SCREW		1
210	NAS514P1032-5		.SCREW		6
213	NAS620A10L		.WASHER		1
216	413T1015-11		.BRACKET	A	1
-219	413T1015-12		.BRACKET	B	1
222	NAS623-3-1		.SCREW		8
225	NAS620A10L		.WASHER		8

25-28-09

 ILLUSTRATED PARTS LIST
 01.1 Page 1082V
 Apr 01/91

 **BOEING**
COMPONENT
MAINTENANCE MANUAL

FIG. & ITEM	PART NO.	AIRLINE PART NUMBER	NOMENCLATURE 1234567	EFF CODE	QTY PER ASSY
1C-					
228	413T1014-2		.BRACKET		1
231	NAS603-4P		.SCREW		8
234	NAS620A10L		.WASHER		8
237	413T1014-3		.BRACKET		2
240	413T1013-41		.PANEL ASSY-HINGE (OPT ITEMS 240A, 240B)	A	1
240A	413T1013-205		.PANEL ASSY-HINGE (OPT ITEMS 240, 240B)	A	1
240B	413T1013-25		.PANEL ASSY-HINGE (OPT ITEMS 240, 240A)	A	1
-243	413T1013-42		.PANEL ASSY-HINGE (OPT ITEMS 243A, 243B)	B	1
-243A	413T1013-206		.PANEL ASSY-HINGE (OPT ITEMS 243, 243B)	B	1
-243B	413T1013-26		.PANEL ASSY-HINGE (OPT ITEMS 243, 243A)	B	1
246	NAS623-3-7		ATTACHING PARTS .SCREW		8
249A	AN960JD10L		.WASHER		8
			-----*		
252	413T1013-87		..TRIM-EDGE (USED ON ITEMS 240, 243)		2
-255	413T1013-182		..TRIM-EDGE (USED ON ITEMS 240A, 243A)		1
258	413T1013-85		..TRIM-EDGE (USED ON ITEMS 240, 243)		1
261	413T1013-180		..TRIM-EDGE (USED ON ITEMS 240A 243A)		1
264	413T1013-84		..TRIM-EDGE (USED ON ITEMS 240, 243)		2

25-28-09

ILLUSTRATED PARTS LIST
01.1 Page 1082W
Apr 01/91

FIG. & ITEM	PART NO.	AIRLINE PART NUMBER	NOMENCLATURE 1234567	EFF CODE	QTY PER ASSY
1C- -267	413T1013-181		..TRIM-EDGE (USED ON ITEMS 240A 243A)		2
-270	413T1136-61		..TRIM-EDGE (USED ON ITEMS 240B, 243B)		AR
273	NAS1836-3-11		..INSERT		4
276	NAS1836-3-11		..INSERT- (USED ON ITEMS 240, 243)		20
279	NAS1836-3-09		..INSERT- (USED ON ITEMS 240A, 243A)		20
282	SL618-3A		..INSERT- (V97393)		24
285	413T1013-98		..EDGE MEMBER- (USED ON ITEMS 240, 243)		1
288	A11330-8-3		..NUT- (V72962) (SPEC BACN10FX21) (OPT BRC500-8-3 (V52828)) (OPT F49322-3-21 (V15653)) (OPT SL240-3-1 (V97393)) (OPT 130061 (V60119)) (USED ON ITEMS 240A, 240B, 243A, 243B)		8

25-28-09

 ILLUSTRATED PARTS LIST
 01.1 Page 1082X
 Apr 01/91

FIG. & ITEM	PART NO.	AIRLINE PART NUMBER	NOMENCLATURE 1234567	EFF CODE	QTY PER ASSY
1C-					
291	NAS1801-3-5		..SCREW		8
294	BACW10P183AL		..WASHER- (V10630) (SPEC BACW10P183AL)		8
297	413T1014-5		..SUPPORT-HINGE PNL (USED ON ITEMS 240A, 240B, 243A, 243B)		8
300	413T1017-7		.HINGE ASSY- (OPT ITEMS 300A, 300B) (PRE SB 767-25-0078)		2
-300A	413T1017-15		.HINGE ASSY- (OPT ITEMS 300, 300B) (PRE SB 767-25-0078)		2
-300B	413T1017-23		.HINGE ASSY- (OPT ITEMS 300, 300A) (PRE SB 767-25-0078)		2
-300C	9994		.HINGE ASSY- (V80477) (POST SB 767-25-0078)		2
303	413T1017-8		.HINGE ASSY- (OPT ITEMS 303A,303B) (PRE SB 767-25-0078)		2
-303A	413T1017-16		.HINGE ASSY- (OPT ITEMS 303, 303B) (PRE SB 767-25-0078)		2
-303B	413T1017-24		.HINGE ASSY- (OPT ITEMS 303, 303A) (PRE SB 767-25-0078)		2
-303C	9994		.HINGE ASSY- (V80477) (POST SB 767-25-0078) ATTACHING PARTS		2

25-28-09

ILLUSTRATED PARTS LIST
01.1 Page 1082Y
Apr 01/91

FIG. & ITEM	PART NO.	AIRLINE PART NUMBER	NOMENCLATURE 1234567	EFF CODE	QTY PER ASSY
1C-306	PSFW10F6DS05WH		.SCREW- (OPT ITEM 306A)		24
-306A	BACS12FA3C5		.SCREW- (OPT ITEM 306)		24
312	NAS1801-3-6		.SCREW		16
315	BACW10P183AL		.WASHER- (V10630) (SPEC BACW10P183AL)		16
			-----*		
318	413T1017-9		..HINGE ASSY- (USED ON ITEM 300)		1
-321	413T1017-10		..HINGE ASSY- (USED ON ITEM 303)		1
-324	413T1017-19		..HINGE ASSY- (USED ON ITEM 300A)		1
-327	413T1017-27		..HINGE ASSY- (USED ON ITEM 300B)		1
-330	413T1017-20		..HINGE ASSY- (USED ON ITEM 303A)		1
-333	413T1017-28		..HINGE ASSY- (USED ON ITEM 303B)		1
336	413T1086-19		...HOUSING ASSY-CAM (OPT ITEMS 357, 357A) (USED ON ITEM 318)		1
-336A	413T1086-19		...HOUSING ASSY-CAM (USED ON ITEM 324)		1
-339	413T1086-20		...HOUSING ASSY-CAM (OPT ITEMS 360, 360A) (USED ON ITEM 321)		1
-339A	413T1086-20		...HOUSING ASSY-CAM (USED ON ITEM 330)		1

25-28-09

 ILLUSTRATED PARTS LIST
 01.1 Page 1082Z
 Apr 01/91

FIG. & ITEM	PART NO.	AIRLINE PART NUMBER	NOMENCLATURE 1234567	EFF CODE	QTY PER ASSY
1C-					
342	BACB30LH3PU28		ATTACHING PARTS ...BOLT- (V06710) (SPEC BACB30LH3PU28) (OPT BACB30LH3PU28 (V06725)) (OPT BACB30LH3PU28 (V06950)) (OPT BACB30LH3PU28 (V08524)) (OPT BACB30LH3PU28 (V17943)) (OPT BACB30LH3PU28 (V27624)) (OPT BACB30LH3PU28 (V80539)) (OPT BACB30LH3PU28 (V92215)) (OPT BACB30LH3PU28 (V97928))		1
345	BACB30LH3PU22		...BOLT- (V06710) (SPEC BACB30LH3PU22) (OPT BACB30LH3PU22 (V06725)) (OPT BACB30LH3PU22 (V06950)) (OPT BACB30LH3PU22 (V08524)) (OPT BACB30LH3PU22 (V17943)) (OPT BACB30LH3PU22 (V27624)) (OPT BACB30LH3PU22 (V80539)) (OPT BACB30LH3PU22 (V92215)) (OPT BACB30LH3PU22 (V97928)) -----*		2
348	413T1086-21	DOUBLER		1
351	413T1086-1	HOUSING- (USED ON ITEMS 336, 336A)		1

25-28-09

FIG. & ITEM	PART NO.	AIRLINE PART NUMBER	NOMENCLATURE 1234567	EFF CODE	QTY PER ASSY
1C-354	413T1086-2	HOUSING- (USED ON ITEMS 339, 339A)		1
357	413T1086-13		...HOUSING-CAM (OPT ITEMS 336, 357A) (USED ON ITEM 318)		1
-357A	413T1086-31		...HOUSING-CAM (OPT ITEMS 336, 357) (USED ON ITEM 318)		1
-357E	413T1086-31		...HOUSING-CAM (OPT ITEM 357F) (USED ON ITEM 327)		1
-357F	413T1086-13		...HOUSING-CAM (OPT ITEM 357E) (USED ON ITEM 327)		1
-360	413T1086-14		...HOUSING-CAM (OPT ITEMS 339, 360A) (USED ON ITEM 321)		1
-360A	413T1086-32		...HOUSING-CAM (OPT ITEMS 339, 360A) (USED ON ITEM 321)		1
-360E	413T1086-32		...HOUSING-CAM (OPT ITEM 360F) (USED ON ITEM 333)		1
-360F	413T1086-14		...HOUSING-CAM (OPT ITEM 360E) (USED ON ITEM 333)		1

25-28-09

 ILLUSTRATED PARTS LIST
 01.1 Page 1084
 Apr 01/91

FIG. & ITEM	PART NO.	AIRLINE PART NUMBER	NOMENCLATURE 1234567	EFF CODE	QTY PER ASSY
1C-					
363	BACB30LH3PU28		ATTACHING PARTS ...BOLT- (V06710) (SPEC BACB30LH3PU28) (OPT BACB30LH3PU28 (V06725)) (OPT BACB30LH3PU28 (V06950)) (OPT BACB30LH3PU28 (V08524)) (OPT BACB30LH3PU28 (V17943)) (OPT BACB30LH3PU28 (V27624)) (OPT BACB30LH3PU28 (V80539)) (OPT BACB30LH3PU28 (V92215)) (OPT BACB30LH3PU28 (V97928))		1
366	BACB30LH3PU22		...BOLT- (V06710) (SPEC BACB30LH3PU22) (OPT BACB30LH3PU22 (V06725)) (OPT BACB30LH3PU22 (V06950)) (OPT BACB30LH3PU22 (V08524)) (OPT BACB30LH3PU22 (V17943)) (OPT BACB30LH3PU22 (V27624)) (OPT BACB30LH3PU22 (V80539)) (OPT BACB30LH3PU22 (V92215)) (OPT BACB30LH3PU22 (V97928)) -----*		2

25-28-09

FIG. & ITEM	PART NO.	AIRLINE PART NUMBER	NOMENCLATURE 1234567	EFF CODE	QTY PER ASSY
1C-					
369	NAS43DD3-30		...SPACER		1
372	5S1-6		...STUD- (V71286)		1
375	5S3-2		...WASHER- (V71286)		1
378	413T1086-7		...DOOR		1
381	413T1083-3		...SCREW- (USED ON ITEMS 318, 321)		1
-384	413T1083-10		...SCREW- (USED ON ITEMS 324, 327, 330, 333)		1
387	413T1083-2		...SCREW- (USED ON ITEMS 318, 321)		1
-390	413T1083-9		...SCREW- (USED ON ITEMS 324, 327, 330, 333)		1
393	413T1085-4		...ROLLER		2
396	413T1085-3		...ROLLER		1
399	NAS1515M3L		...WASHER		2
402	413T1023-1		...ACTUATOR ASSY- (USED ON ITEMS 318, 324, 327)		1
405	413T1023-2		...ACTUATOR ASSY- (USED ON ITEMS 321, 330, 333)		1
408	MS21209F4-10		...INSERT		1
411	NAS77A3-24N	BUSHING		1
414	NAS77A3-68N	BUSHING		1
417	413T1023-3	ACTUATOR- (USED ON ITEM 402)		1

25-28-09

 ILLUSTRATED PARTS LIST
 01.1 Page 1084B
 Apr 01/91

 **BOEING**
COMPONENT
MAINTENANCE MANUAL

FIG. & ITEM	PART NO.	AIRLINE PART NUMBER	NOMENCLATURE 1234567	EFF CODE	QTY PER ASSY
1C-420	413T1023-4	ACTUATOR- (USED ON ITEM 405)		1
423	413T1022-7		...FOLLOWER ASSY-CAM (USED ON ITEM 318)		1
-426	413T1022-7		...FOLLOWER ASSY-CAM (OPT ITEM 426A) (USED ON ITEM 324)		1
-426A	413T1022-11		...FOLLOWER ASSY-CAM (OPT ITEM 426) (USED ON ITEM 324)		1
-426B	413T1022-7		...FOLLOWER ASSY-CAM (OPT ITEM 426D) (USED ON ITEM 327)		1
-426C	413T1022-11		...FOLLOWER ASSY-CAM (OPT ITEM 426D) (USED ON ITEM 327)		1
-426D	413T1022-19		...FOLLOWER ASSY-CAM (OPT ITEMS 426B, 426C) (USED ON ITEM 327)		1
-429	413T1022-8		...FOLLOWER ASSY-CAM (USED ON ITEM 321)		1
-432	413T1022-8		...FOLLOWER ASSY-CAM (OPT ITEM 432A) (USED ON ITEM 330)		1
-432A	413T1022-12		...FOLLOWER ASSY-CAM (OPT ITEM 432) (USED ON ITEM 330)		1
-432B	413T1022-8		...FOLLOWER ASSY-CAM (OPT ITEM 432D) (USED ON ITEM 330)		1
-432C	413T1022-12		...FOLLOWER ASSY-CAM (OPT ITEM 432D) (USED ON ITEM 330)		1
-432D	413T1022-20		...FOLLOWER ASSY-CAM (OPT ITEMS 432C, 432D) (USED ON ITEM 330)		1
435	NAS76A3-009N	BUSHING		1
438	MS21209C0610	INSERT- (USED ON ITEMS 423, 426, 429, 432)		2
441	413T1022-9	FOLLOWER- (USED ON ITEMS 423, 426, 426B)		1

25-28-09

ILLUSTRATED PARTS LIST
01.1 Page 1084C
Apr 01/91

FIG. & ITEM	PART NO.	AIRLINE PART NUMBER	NOMENCLATURE 1234567	EFF CODE	QTY PER ASSY
1C- -444	413T1022-13	FOLLOWER- (USED ON ITEMS 426, 426C)		1
-447	413T1022-10	FOLLOWER- (USED ON ITEMS 432, 432B)		1
-450	413T1022-14	FOLLOWER- (USED ON ITEMS 432A, 432C)		1
-451	413T1022-17	FOLLOWER- (USED ON ITEM 426D)		1
-452	413T1022-18	FOLLOWER- (USED ON ITEM 432D)		1
453	NAS601-3		...SCREW		2
456	MS35338-136		...WASHER		2
459	413T1083-5		...NUT		2
462	413T1087-1		...BRACKET		1
465	413T1020-1		...ARM ASSY-UPR (USED ON ITEMS 318, 321)		1
468	413T1020-1		...ARM ASSY-UPR (OPT ITEM 468A) (USED ON ITEMS 324, 327, 330, 333)		1
468A	413T1020-4		...ARM ASSY-UPR (OPT ITEM 468) (USED ON ITEMS 324, 327, 330, 333)		1
471	NAS77A3-15N	BUSHING		2
474	MS21209C0615	INSERT- (USED ON ITEMS 465, 468)		1
477	413T1020-2	ARM-UPR (USED ON ITEMS 465, 468)		1
-480	413T1020-5	ARM- (USED ON ITEM 468A)		1
483	413T1083-6		...SCREW- (USED ON ITEMS 318, 321)		1
486	413T1083-11		...SCREW- (USED ON ITEMS 324, 327, 330, 333)		1
489	NAS1515M3L		...WASHER		2
492	413T1084-1		...SHAFT		1
495	413T1021-1		...ARM ASSY-LWR		1
498	NAS77A3-15N	BUSHING		4
501	NAS76A3-007N	BUSHING		1

25-28-09

 ILLUSTRATED PARTS LIST
 01.1 Page 1084D
 Apr 01/91



BOEING
COMPONENT
MAINTENANCE MANUAL

FIG. & ITEM	PART NO.	AIRLINE PART NUMBER	NOMENCLATURE 1234567	EFF CODE	QTY PER ASSY
1C-					
504	413T1021-2	ARM-LWR		1
507	413T1083-8		...SCREW		1
510	413T1086-9		...SUPPORT ASSY-SPR (USED ON ITEMS 318, 324)		1
-510A	413T1086-9		...SUPPORT ASSY-SPR (OPT ITEM 510B) (USED ON ITEM 327)		1
-510B	413T1086-35		...SUPPORT ASSY-SPR (OPT ITEM 510A) (USED ON ITEM 327)		1
-513	413T1086-10		...SUPPORT ASSY-SPR (USED ON ITEMS 321, 330)		1
-513A	413T1086-10		...SUPPORT ASSY-SPR (OPT ITEM 513B) (USED ON ITEM 333)		1
-513B	413T1086-36		...SUPPORT ASSY-SPR (OPT ITEM 513A) (USED ON ITEM 333)		1
516	UI19136-2B8	INSERT- (V07757) (OPT ITEM 516A)		1
-516A	6035-04BR0219	INSERT- (V01556) (OPT ITEM 516)		1
519	413T1086-11	SUPPORT- (USED ON ITEMS 510, 510A)		1
-519G	413T1086-37	SUPPORT- (USED ON ITEM 510B)		1
-522	413T1086-12	SUPPORT- (USED ON ITEM 513)		1
-522G	413T1086-38	SUPPORT- (USED ON ITEM 513B)		1
525	413T1086-3		...HOUSING ASSY-SPR (USED ON ITEMS 318, 324, 327) (OPT ITEM 525A)		1
-525A	413T1086-15		...HOUSING ASSY-SPR (USED ON ITEMS 318, 324, 327) (OPT ITEM 525)		1

25-28-09

ILLUSTRATED PARTS LIST
01.1 Page 1084E
Apr 01/91

FIG. & ITEM	PART NO.	AIRLINE PART NUMBER	NOMENCLATURE 1234567	EFF CODE	QTY PER ASSY
1C- -528	413T1086-4		...HOUSING ASSY-SPR (USED ON ITEMS 321, 330, 333) (OPT ITEM 528A)		1
-528A	413T1086-16		...HOUSING ASSY-SPR (USED ON ITEMS 321, 330, 333) (OPT ITEM 528)		1
531	UI19136-2B8	INSERT- (V07757) (OPT ITEM 531A)		1
-531A	6035-04BR0219	INSERT- (V01556) (OPT ITEM 531)		1
534	UI19136-6B8	INSERT- (V07757) (OPT ITEM 534A)		3
-534A	6041-3BR0375	INSERT- (V01556) (OPT ITEM 534)		3
537	413T1086-5	HOUSING- (USED ON ITEM 525)		1
-540	413T1086-17	HOUSING- (USED ON ITEM 525A)		1
-543	413T1086-6	HOUSING- (USED ON ITEM 528)		1
-546	413T1086-18	HOUSING- (USED ON ITEM 528A)		1
549	413T1017-3		...RECEPTACLE ASSY ATTACHING PARTS		1
552	NAS1352C04LB4		...SCREW -----*		2
555	5R3-1	RECEPTACLE- (V71286)		1

25-28-09

 ILLUSTRATED PARTS LIST
 01.1 Page 1084F
 Apr 01/91

 **BOEING**
COMPONENT
MAINTENANCE MANUAL

FIG. & ITEM	PART NO.	AIRLINE PART NUMBER	NOMENCLATURE 1234567	EFF CODE	QTY PER ASSY
1C-558	F1313		..SPRING ASSY-GAS (V55787) (SPEC S413T301-2)		1
561	412T2014-1		.FITTING ASSY ATTACHING PARTS		2
564	NAS623-3-2		.SCREW		4
567	NAS620A10L		.WASHER -----*		4
570A	BCREFA0486		DELETED		
570B	BACB28X4M050		..BUSHING- (V23294) (SPEC BACB28X4M050) (OPT BACB28X4M050 (V70265)) (OPT BACB28X4M050 (V94892))		1
573	412T2014-2		..FITTING		1
576	412T1004-3SP		.RAIL ASSY ATTACHING PARTS		1
579	NAS6603-2		.BOLT		20
582A	AN960JD10L		.WASHER -----*		20
585	412T1004-18SP		..SURFACE-DECORATIVE		1
588	412T1004-11		..RAIL		1
591	2055051		.RETAINER- (V04169)		10
594	413T1081-2		.CHANNEL ASSY ATTACHING PARTS		1
597	NAS623-3-1		.SCREW		32
600	NAS620A10L		.WASHER		32
603	NAS623-3-3		.SCREW		2

25-28-09

ILLUSTRATED PARTS LIST
01.1 Page 1084G
Apr 01/91

FIG. & ITEM	PART NO.	AIRLINE PART NUMBER	NOMENCLATURE 1234567	EFF CODE	QTY PER ASSY
1C-606	NAS620A10L		.WASHER -----*-----		2
609A	AF5171-3-2		..RIVET- (V53551) (SPEC BACR15DR3-2) (OPT CCR264SS3-2 (V11815)) (OPT RV571A3-2 (V98996))		48
612	BRF100A3		..NUTPLATE- (V52828) (SPEC BACN10KB3F) (OPT F2000-3 (V15653)) (OPT RMF9207-3 (V72962)) (OPT T8114S1032S (V11815)) (OPT VN151A1-02 (V92215)) (OPT F2000-3 (V15653))		4
615	F5000-3BAC		..NUTPLATE- (V15653) (SPEC BACN10JR3F) (OPT NS103203-02 (V80539)) (OPT RMF9201-3 (V72962)) (OPT T8091S1032 (V11815)) (OPT VN152A1-02 (V92215)) (OPT BRF200A3 (V52828))		20
618	413T1081-7		..CHANNEL		1
621	NAS1801-3-5		.SCREW		12
624	NAS620A10L		.WASHER		12
627	412T1000-3SP		.RAIL AND BRACKET ASSY- PASS. SVCE UNIT/SIDEWALL SPRT	A	1

25-28-09

 ILLUSTRATED PARTS LIST
 01.1 Page 1084H
 Apr 01/91



BOEING
COMPONENT
MAINTENANCE MANUAL

FIG. & ITEM	PART NO.	AIRLINE PART NUMBER	NOMENCLATURE 1234567	EFF CODE	QTY PER ASSY
1C- -630	412T1000-4SP		.RAIL AND BRACKET ASSY- PASS. SVCE UNIT/SIDEWALL SPRT	B	1
633	412T1001-3		..CHANNEL ASSY	A	1
-636	412T1001-4		..CHANNEL ASSY ATTACHING PARTS	B	1
639	NAS6603-3		..BOLT		2
642	NAS623-2-2		..SCREW		2
645	AN960PD10		..WASHER		2
648	AN960PD8L		..WASHER		2
651	H10-08BAC		..NUT- (V15653) (SPEC BACN10JC08) (OPT NS202101-82 (V80539)) (OPT RMLH9075-82W (V72962)) (OPT T6S832J (V71087)) (OPT VN303A82 (V92215)) (OPT 96-82 (V80539)) (OPT BRH10A08 (V52828)) (OPT T6S832J (V11815)) -----*		2
654	BACR15BA3AD		...RIVET- (SIZE DETERMINE ON INST)		4
657	BRM100A3		...NUTPLATE- (V52828) (SPEC BACN10JP3B) (OPT MK2000-3BAC (V15653)) (OPT NS103198-02 (V80539)) (OPT RMA9207-3 (V72962)) (OPT T8077S1032 (V11815)) (OPT VN201A1-02 (V92215))		2
660	412T1001-9		...CHANNEL	A	1
-663	412T1001-10		...CHANNEL	B	1

25-28-09

ILLUSTRATED PARTS LIST
01.1 Page 1084I
Apr 01/91

FIG. & ITEM	PART NO.	AIRLINE PART NUMBER	NOMENCLATURE 1234567	EFF CODE	QTY PER ASSY
1C-					
666	412T1003-2		..BRACKET ASSY	A	6
-669	412T1003-1		..BRACKET ASSY ATTACHING PARTS	B	6
672	NAS6603-3		..BOLT		12
675	AN960PD10		..WASHER -----*-----		12
678	BACR15BA3AD		...RIVET- (SIZE DETERMINE ON INST)		4
681	BRM300A3		...NUTPLATE- (V52828) (SPEC BACN10JP3C) (OPT MK3000-3BAC (V15653)) (OPT NS103199-02 (V80539)) (OPT RMA9205M3 (V72962)) (OPT T8078S1032 (V11815)) (OPT VN203A1-02 (V92215))		2
684	412T1003-3		...BRACKET	A	1
-687	412T1003-4		...BRACKET	B	1
690	2055144		..RETAINER- (V04169)		9
693	412T1002-77SP		..RAIL ASSY	A	1
696	412T1002-78SP		..RAIL ASSY	B	1
699	BACR15BB4AD		...RIVET- (SIZE DETERMINE ON INST)		12
702	WS1-332A8		...NUTPLATE- (V04169) (SPEC BACN10GH3A8)		6

25-28-09

 ILLUSTRATED PARTS LIST
 01.1 Page 1084J
 Apr 01/91

FIG. & ITEM	PART NO.	AIRLINE PART NUMBER	NOMENCLATURE 1234567	EFF CODE	QTY PER ASSY
1C-					
705	412T1002-18SP		...SURFACE		1
708	NAS1801-3-12		...SCREW		4
711	MS35338-43		...WASHER		4
714	AN960D10L		...WASHER		4
717	MS35650-305S		...NUT		4
720	412T1002-79		...RAIL	A	1
-723	412T1002-80		...RAIL	B	1
726	412T3109-3		...FITTING ASSY	A	1
-729	412T3109-4		.FITTING ASSY	B	1
			ATTACHING PARTS		
732	NAS623-3-1		.SCREW		9
735	NAS620A10L		.WASHER		9
			-----*		
738	BACB28AR06A024A		..BUSHING- (V09455) (SPEC BACB28AR06A024A) (OPT BACB28AR06A024A (V15860)) (OPT BACB28AR06A024A (V50294)) (OPT BACB28AR06A024A (V73134)) (OPT BACB28AR06A024A (V77896)) (OPT BACB28AR06A024A (V97613))		1
741	412T3109-21		..DOUBLER		1
744	412T3109-13		..FITTING		1
-747	412T3109-14		..FITTING	B	1
750	412T3109-9		.FITTING ASSY	A	1
-753	412T3109-10		.FITTING ASSY	B	1

25-28-09

ILLUSTRATED PARTS LIST
01.1 Page 1084K
Apr 01/91

FIG. & ITEM	PART NO.	AIRLINE PART NUMBER	NOMENCLATURE 1234567	EFF CODE	QTY PER ASSY
1C-756	NAS623-3-1		.SCREW ATTACHING PARTS		8
759	NAS620A10L		.WASHER -----*		8
762	BACB28X4C005		..BUSHING- (V23294) (SPEC BACB28X4C005) (OPT BACB28X4C005 (V70265)) (OPT BACB28X4C005 (V94892))		1
765	412T3109-19		..FITTING	A	1
-768	412T3109-20		..FITTING	B	1
770	HL19PB10-24		.BOLT- (V56878) (SPEC BACB30FN10-24) (OPT HL19PB10-24 (V73197)) (OPT HL19PB10-24 (V92215)) (OPT HL19PB10-24 (V97928)) (OPT 62547-10-24 (V56878)) (OPT HL19PB10-24 (V80539)) (OPT WC2510-24 (V60516)) (OPT HL19PB10-24 (V60516)) (OPT HL19PB10-24 (V08524))		1

25-28-09

 ILLUSTRATED PARTS LIST
 01.1 Page 1084L
 Apr 01/91

FIG. & ITEM	PART NO.	AIRLINE PART NUMBER	NOMENCLATURE 1234567	EFF CODE	QTY PER ASSY
1C-773	BACB28Z5-025		.BUSHING- (V23294) (SPEC BACB28Z5-025) (OPT BACB28Z5-025 (V70265)) (OPT BACB28Z5-025 (V94892))		2
776	AN960C516L		.WASHER		1
779	H01-5BAC		.NUT- (V15653) (SPEC BACN10JC5CM) (OPT T6C524JM (V11815)) (OPT 109LH9075-5W (V72962)) (OPT 97E054 (V80539))		1
784	412T2010-1		.TIE ASSY-TNSN (OPT ITEM 820)		1
789	412T2010-2		..TUBE		1
792	412T2010-3		..PAD		1
795	412T2011-1		..FITTING ASSY ATTACHING PARTS		1
798	SALPYT6-16		..BOLT- (V11815) (SPEC BACB30GW6-16) (OPT SALPYT6-16 (V29666)) (OPT SALPYT6-16 (V17446))		2

25-28-09

ILLUSTRATED PARTS LIST
01.1 Page 1084M
Apr 01/91

FIG. & ITEM	PART NO.	AIRLINE PART NUMBER	NOMENCLATURE 1234567	EFF CODE	QTY PER ASSY
1C-801	2DCC6		..COLLAR- (V11815) (SPEC BACC30K6) (OPT 2DCC6 (V17446)) -----*		2
804	HU4-134		...BEARING- (V02758) (SPEC BACB10AB4) (OPT ABW4V5 (V50294)) (OPT AB4VCRG (V15860)) (OPT BSSR4804 (V81376)) (OPT KWB4-20CRG (V97613)) (OPT WG4E (V73134)) (OPT 55282 (V09455)) (OPT WC4G1 (V56644))		1
807	412T2011-2		...FITTING		1
810	10-60779-112L		..BEARING-ROD END		1
813	412T2012-2		..NUT		1
816	412T2012-1		..SLEEVE		1
819	AN316-6L		..NUT		1
-820	1281-1		.TIE ASSY-TNSN (V34742) (OPT ITEM 784)		1

25-28-09

 ILLUSTRATED PARTS LIST
 01.1 Page 1084N
 Apr 01/91



BOEING
COMPONENT
MAINTENANCE MANUAL

FIG. & ITEM	PART NO.	AIRLINE PART NUMBER	NOMENCLATURE 1234567	EFF CODE	QTY PER ASSY
1C-822	BACB30LU3-10		.BOLT- (V06710) (SPEC BACB30LU3-10) (OPT BACB30LU3-10 (V06725)) (OPT BACB30LU3-10 (V06950)) (OPT BACB30LU3-10 (V17943)) (OPT BACB30LU3-10 (V27624)) (OPT BACB30LU3-10 (V56878)) (OPT BACB30LU3-10 (V80539)) (OPT BACB30LU3-10 (V85495)) (OPT BACB30LU3-10 (V92215)) (OPT BACB30LU3-10 (V97928))		4
825	AN960PD10		.WASHER		1
828	AN960PD10L		.WASHER		3
831	H10-3BAC		.NUT- (V15653) (SPEC BACN10JC3) (OPT NS202101-02 (V80539)) (OPT RMLH9075-3W (V72962)) (OPT T6S1032J (V71087)) (OPT VN303A02 (V92215)) (OPT 96-02 (V80539)) (OPT BRH10A3 (V52828))		4
834	NAS514P1032-4		.SCREW		3
837	NAS514P1032-5		.SCREW		1
840	412T2045-1		.FITTING	A	1
-843	412T2045-2		.FITTING	B	1
846	412T2046-1		.DOUBLER	A	1
-849	412T2046-2		.DOUBLER	B	1
852	NAS623-3-2		.SCREW		4

25-28-09

FIG. & ITEM	PART NO.	AIRLINE PART NUMBER	NOMENCLATURE 1234567	EFF CODE	QTY PER ASSY
1C-					
855	NAS620A10L		.WASHER		4
858	413T1002-19		.FILLER		4
861	NAS514P1032-5		.SCREW		2
864	412T2013-4		.FITTING		1
867	413T1095-7		.RETAINER ASSY- (OPT ITEM 867A)		1
-867A	413T1095-9		.RETAINER ASSY- (OPT ITEM 867) ATTACHING PARTS		1
870	NAS514P1032-9		.SCREW -----*		2
873	413T1095-5		..PLUG		1
876	BACS18K10-23W		..SPACER- (V08073) (SPEC BACS18K10-23W) (USED ON ITEM 867)		2
-879	BACS18K10-23		..SPACER- (USED ON ITEM 867A)		2
882	BACS18K10-15W		..SPACER- (V08073) (SPEC BACS18K10-15W) (USED ON ITEM 867)		1
-885	BACS18K10-15		..SPACER- (USED ON ITEM 867A)		1
888	413T1095-4		..RETAINER- (USED ON ITEM 867)		1
-888A	413T1095-11		..RETAINER- (USED ON ITEM 867A)		1
891	413T1013-9		.SHELL ASSY	A	1
-894	413T1013-10		.SHELL ASSY	B	1
897	413T1013-21		..PANEL ASSY-INBD		1
900	413T1013-22		..PANEL ASSY-INBD		1
903	NAS1836-3-07		...INSERT		5

25-28-09

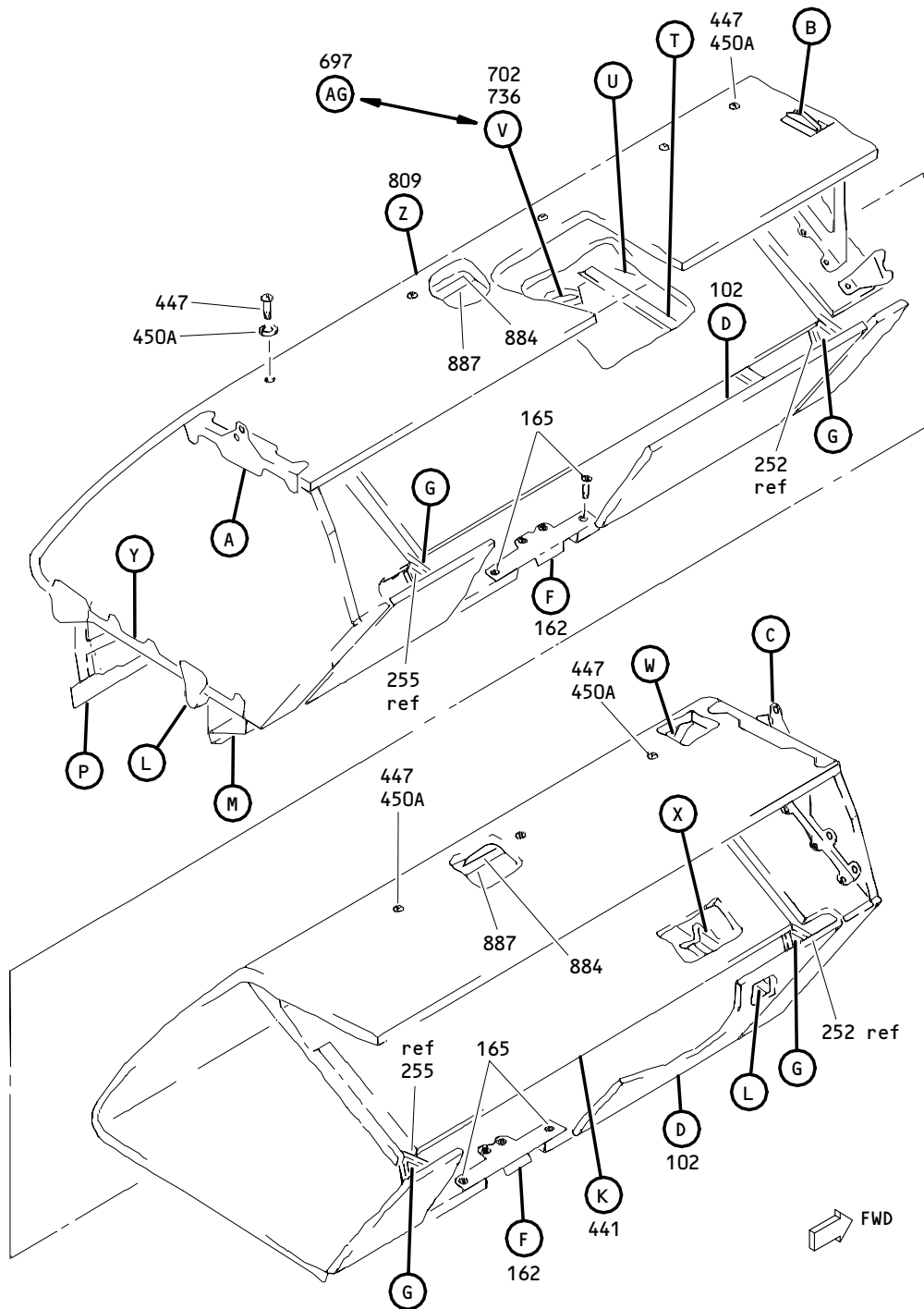
 ILLUSTRATED PARTS LIST
 01.1 Page 1084P
 Apr 01/91

 **BOEING**
COMPONENT
MAINTENANCE MANUAL

FIG. & ITEM	PART NO.	AIRLINE PART NUMBER	NOMENCLATURE 1234567	EFF CODE	QTY PER ASSY
1C-					
906	413T1013-101		..PANEL ASSY-AFT	A	1
-909	413T1013-102		..PANEL ASSY-AFT	B	1
912	NAS1834-3-400		...INSERT- (OPT ITEM 912A)		3
-912A	NAS1834A3-400		...INSERT- (OPT ITEM 912)		3
915	NAS1836-3-11		...INSERT		22
918	413T1013-49		..PANEL ASSY-FWD	A	1
-921	413T1013-50		..PANEL ASSY-FWD	B	1
923	NAS1834-3-400		...INSERT- (OPT ITEM 923A)		6
-923A	NAS1834A3-400		...INSERT- (OPT ITEM 923)		6
926	NAS1836-3-11		...INSERT		25
929	413T1013-31		..PANEL ASSY-SHELL	A	1
-932	413T1013-32		..PANEL ASSY-SHELL	B	1
935	413T1016-2		...BOND ASSY-DBLR		1
938	NAS1836-3-11		...INSERT		107
941	NAS1836-08-11		...INSERT		4
944	NAS1834-3-400		...INSERT- (OPT ITEM 944A)		10
-944A	NAS1834A3-400		...INSERT- (OPT ITEM 944)		10
947	NAS1833-3-400		...INSERT		2
950	NAS1834C5-400		...INSERT		1
953	NAS1834-4-400		...INSERT		8
953A	NAS1834-5-400		...INSERT		8
956	SL618-3A		...INSERT- (V97393)		15
959	BAC27PPS0247		.DECAL-DOOR MUST BE LATCHED		2

25-28-09

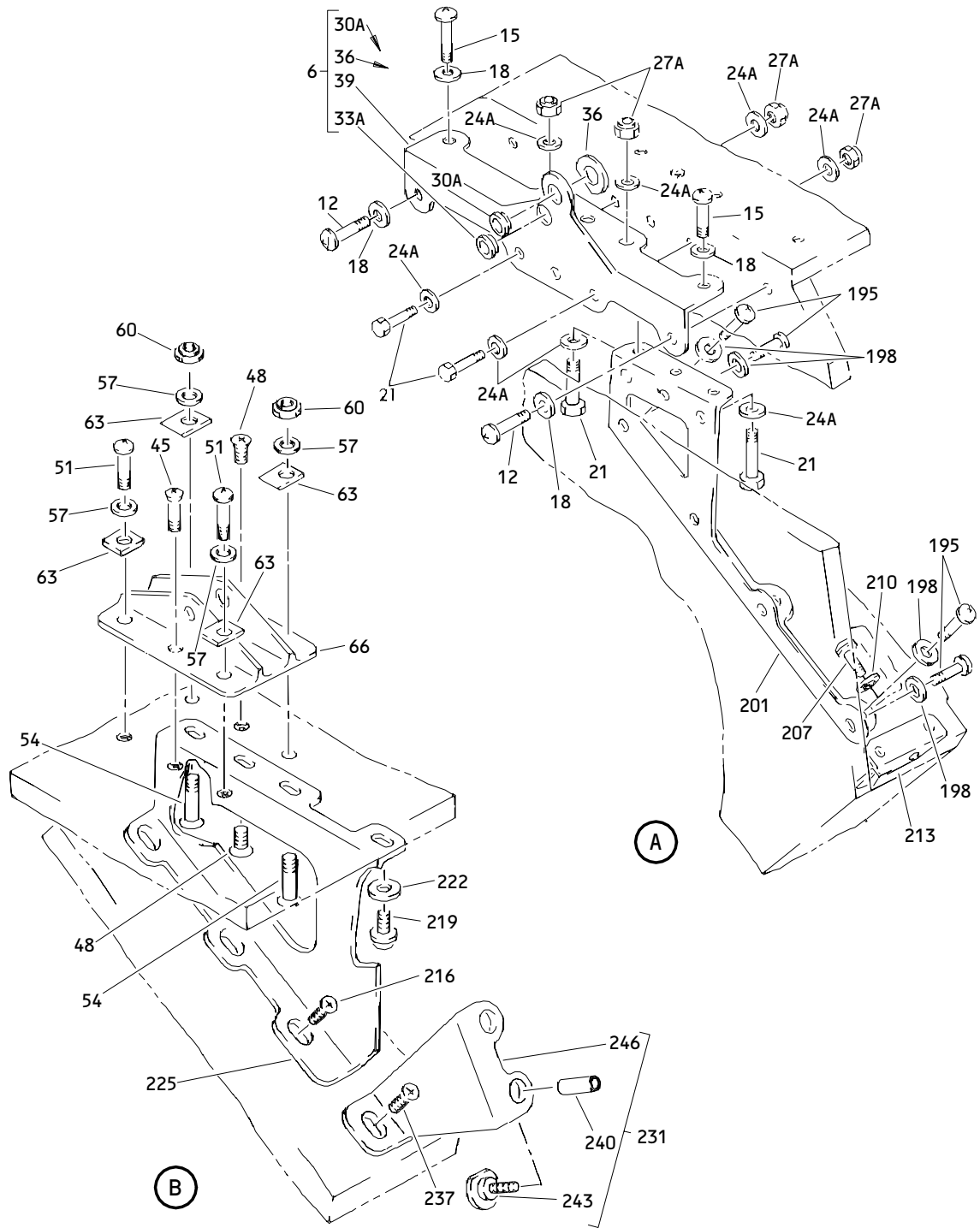
ILLUSTRATED PARTS LIST
01.1 Page 1084Q
Apr 01/91



Outboard Overhead Stowage Bin Assembly
 Figure 1D (Sheet 1)

25-28-09

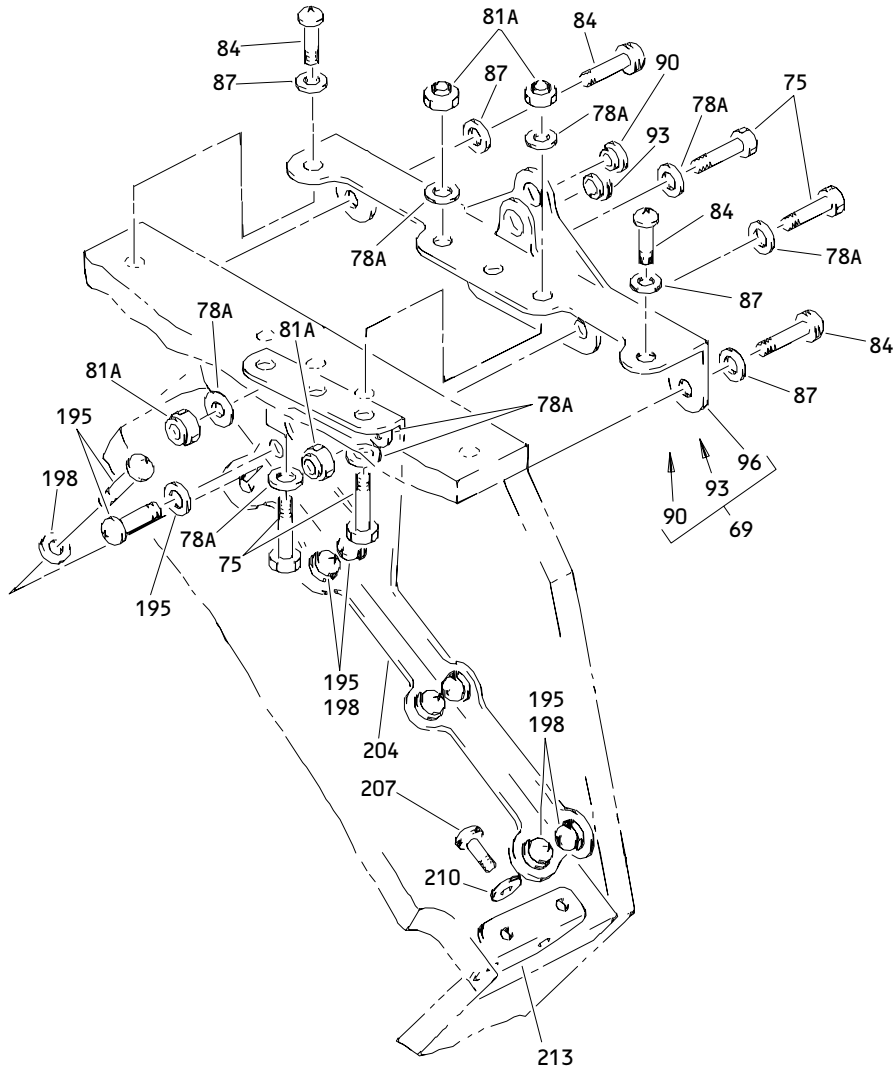
ILLUSTRATED PARTS LIST
 01.1 Page 1084R
 Apr 01/91



Outboard Overhead Stowage Bin Assembly
Figure 1D (Sheet 2)

25-28-09

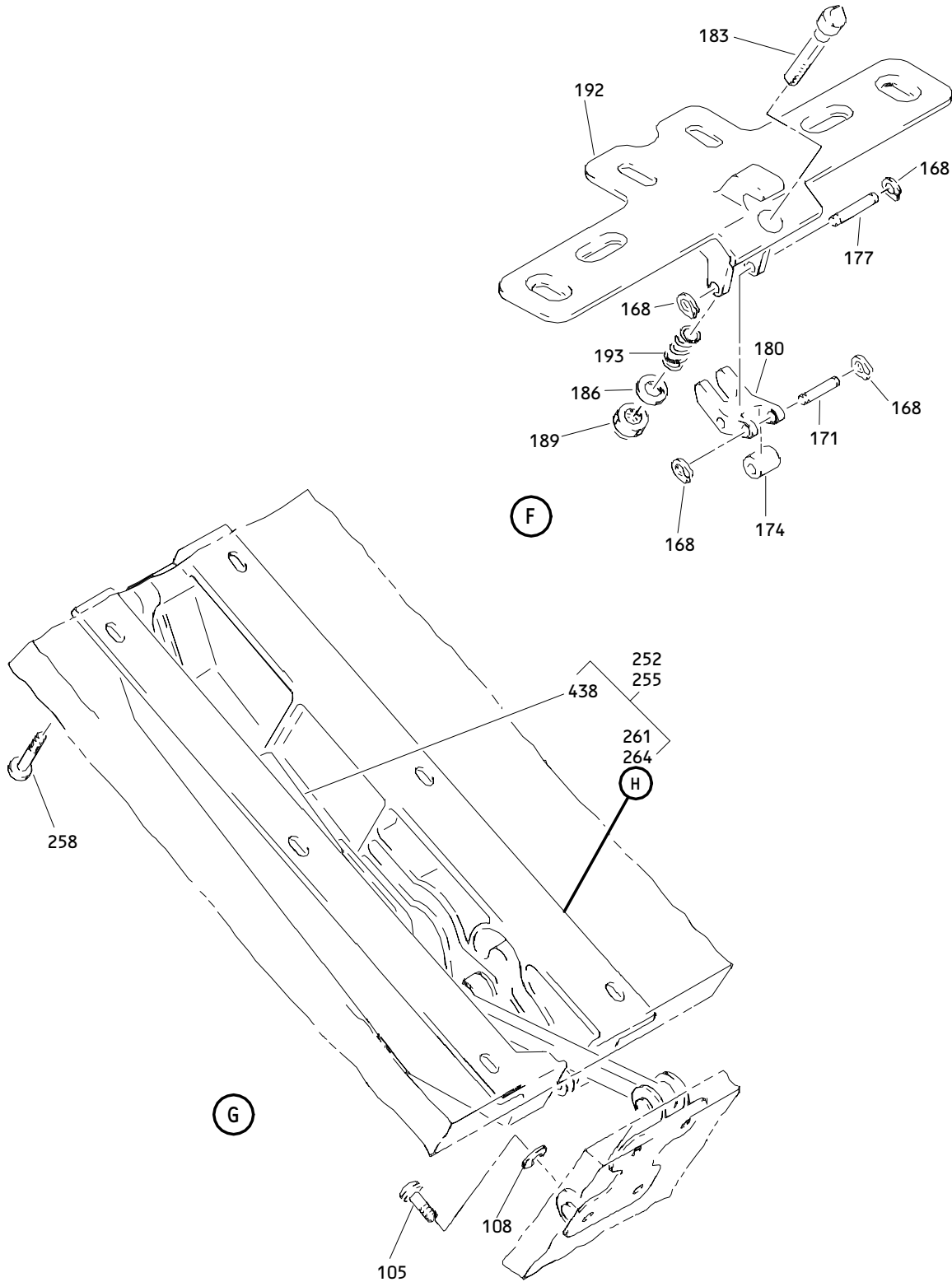
ILLUSTRATED PARTS LIST
01.1 Page 1084S
Apr 01/91



Outboard Overhead Stowage Bin Assembly
Figure 1D (Sheet 3)

25-28-09

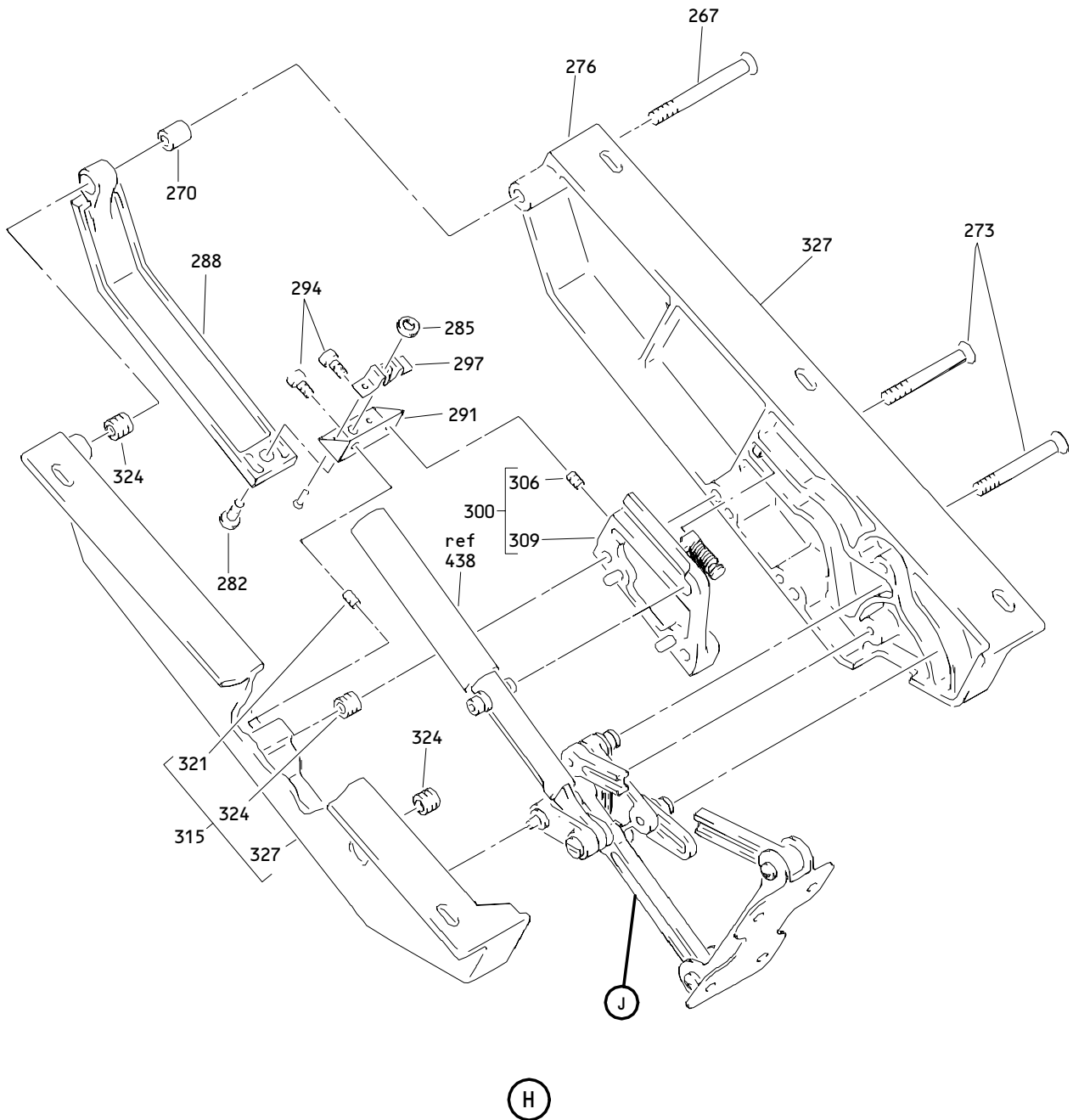
ILLUSTRATED PARTS LIST
01.1 Page 1084T
Apr 01/91



Outboard Overhead Storage Bin Assembly
 Figure 1D (Sheet 5)

25-28-09

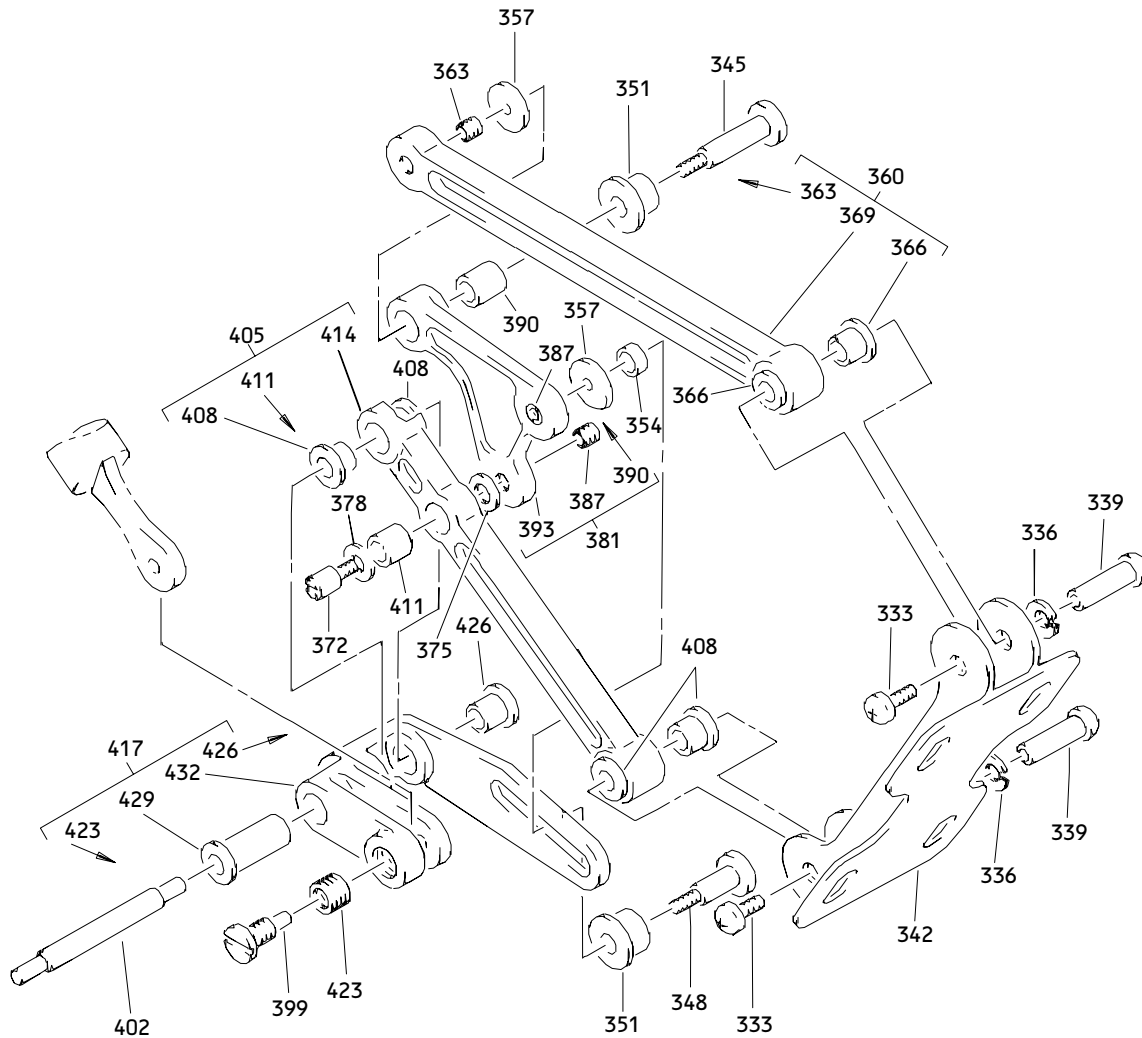
ILLUSTRATED PARTS LIST
 01.1 Page 1084V
 Apr 01/91



Outboard Overhead Storage Bin Assembly
Figure 1D (Sheet 6)

25-28-09

ILLUSTRATED PARTS LIST
01.1 Page 1084W
Apr 01/91

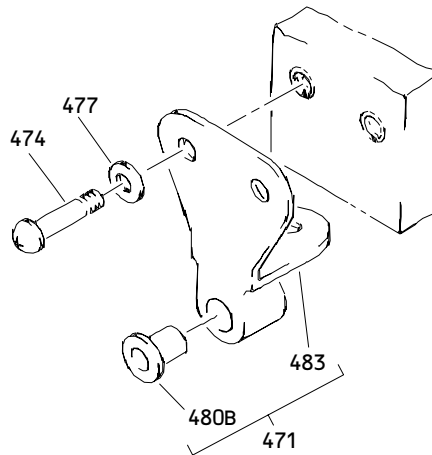
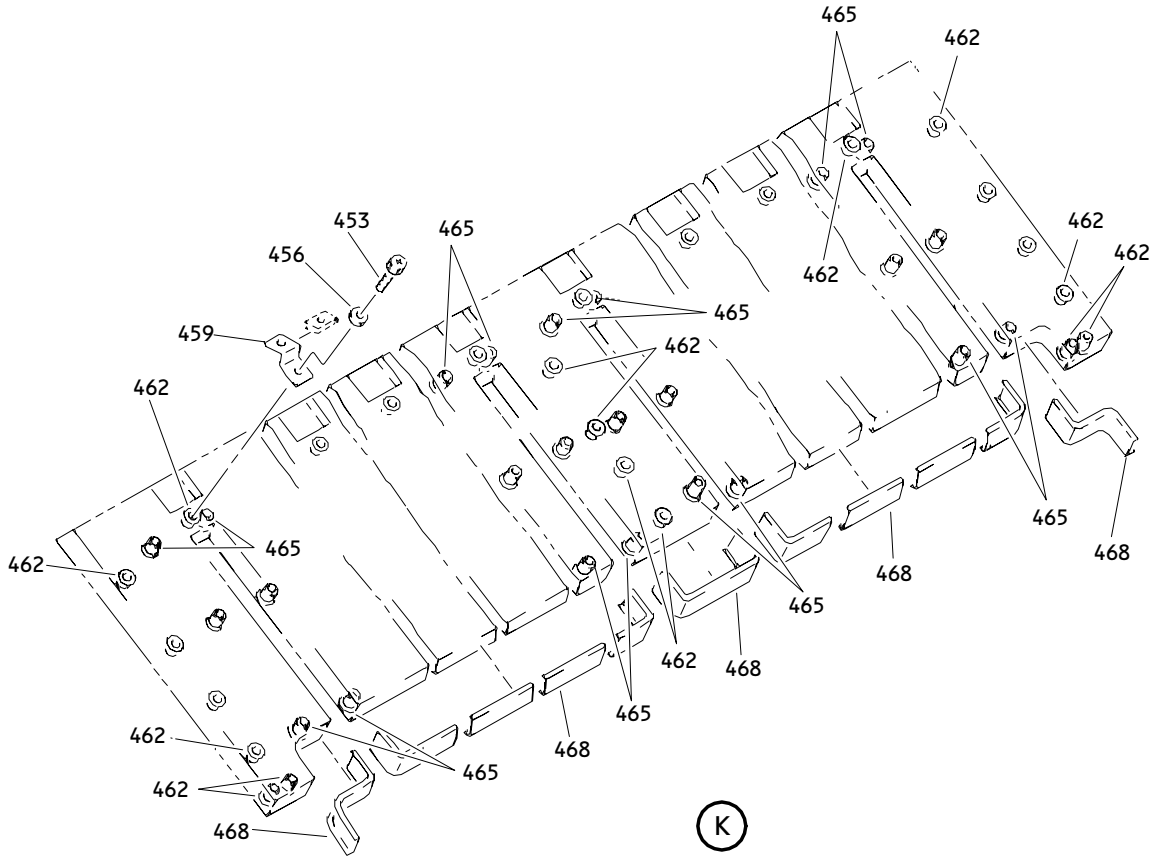


J

Outboard Overhead Stowage Bin Assembly
 Figure 1D (Sheet 7)

25-28-09

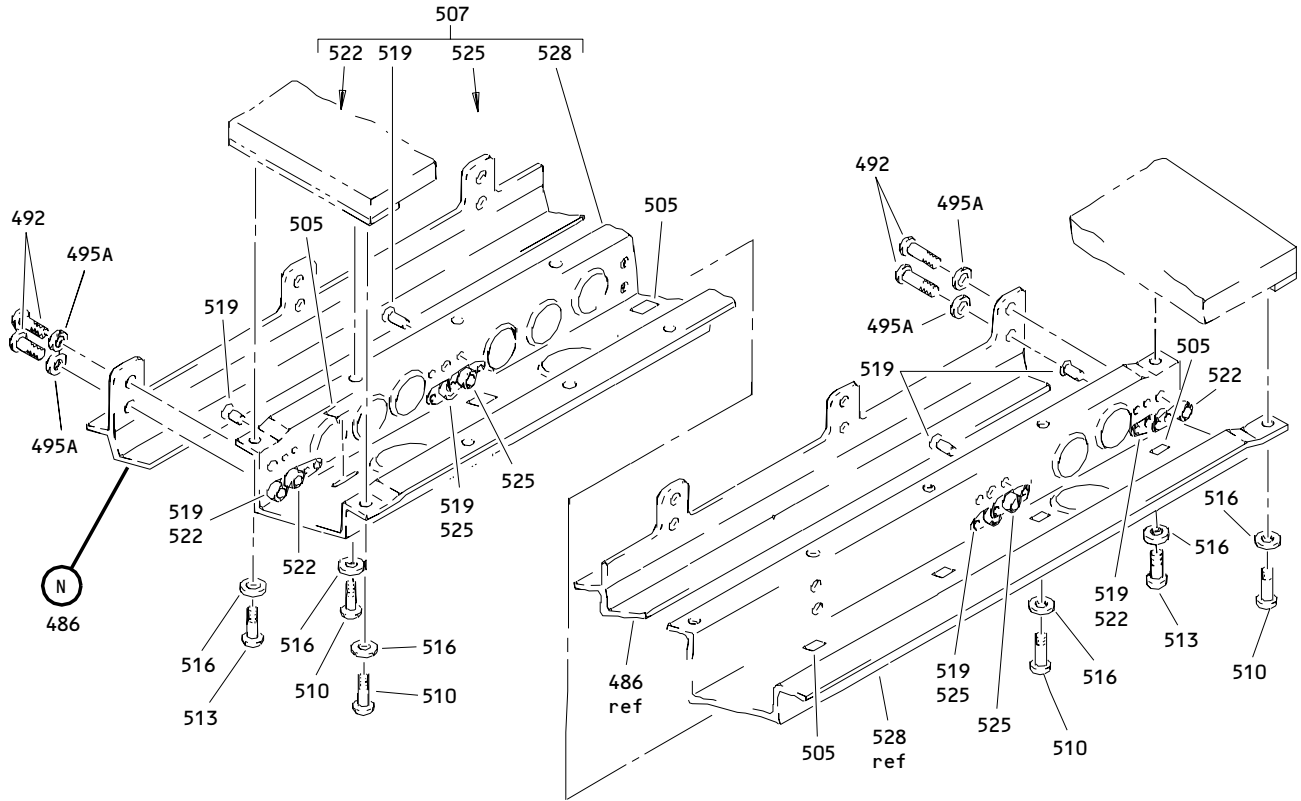
ILLUSTRATED PARTS LIST
 01.1 Page 1084X
 Apr 01/91



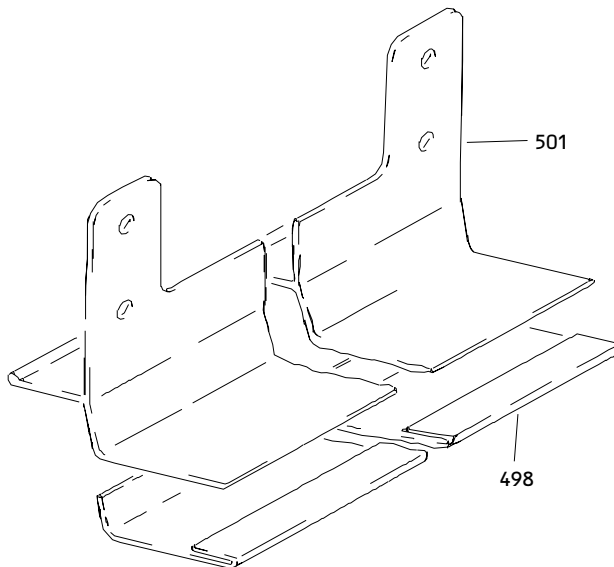
Outboard Overhead Storage Bin Assembly
Figure 1D (Sheet 8)

25-28-09

ILLUSTRATED PARTS LIST
01.1 Page 1084Y
Apr 01/91



(M)

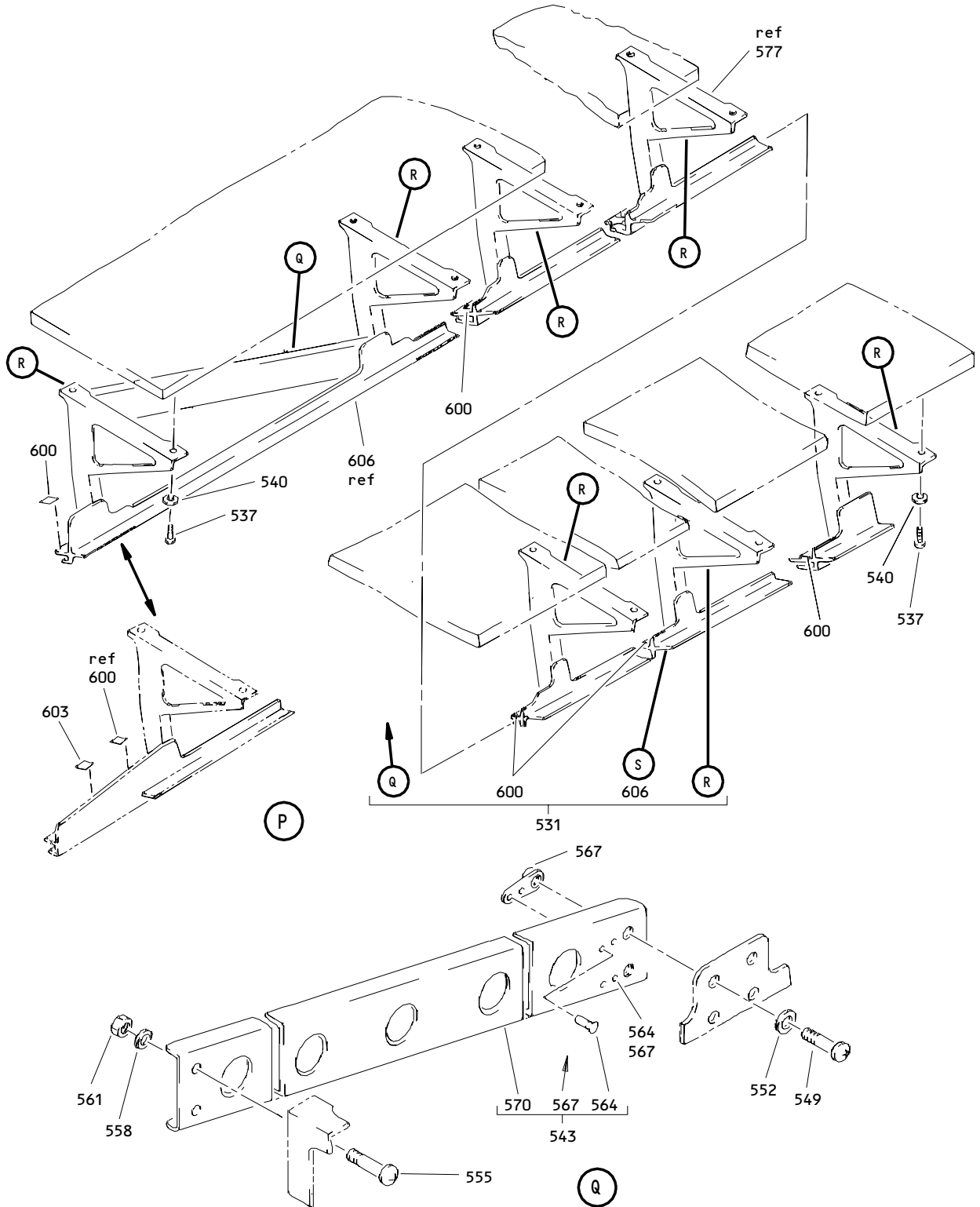


(N)

Outboard Overhead Storage Bin Assembly
 Figure 1D (Sheet 9)

25-28-09

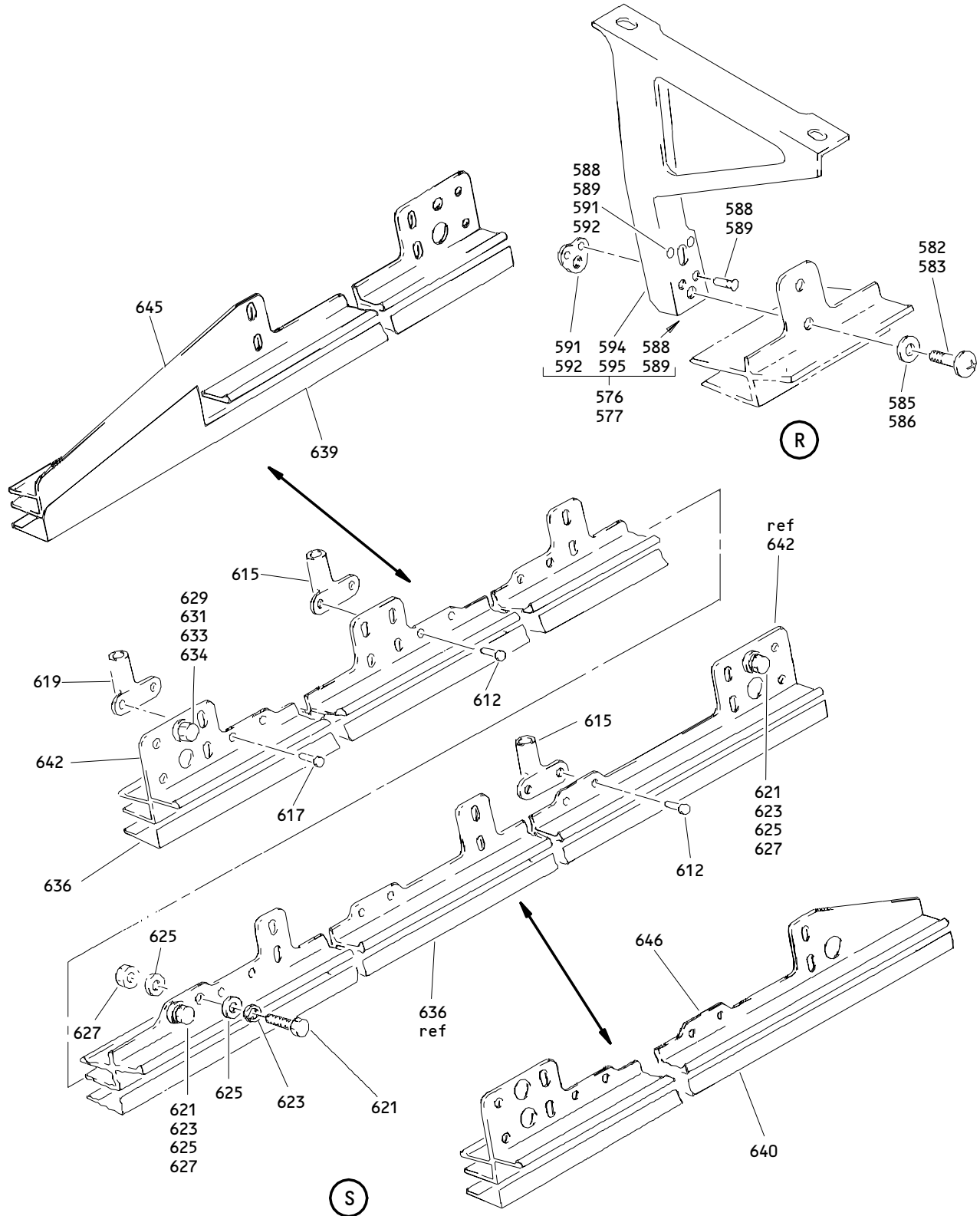
ILLUSTRATED PARTS LIST
 01.1 Page 1084Z
 Apr 01/91



Outboard Overhead Storage Bin Assembly
Figure 1D (Sheet 10)

25-28-09

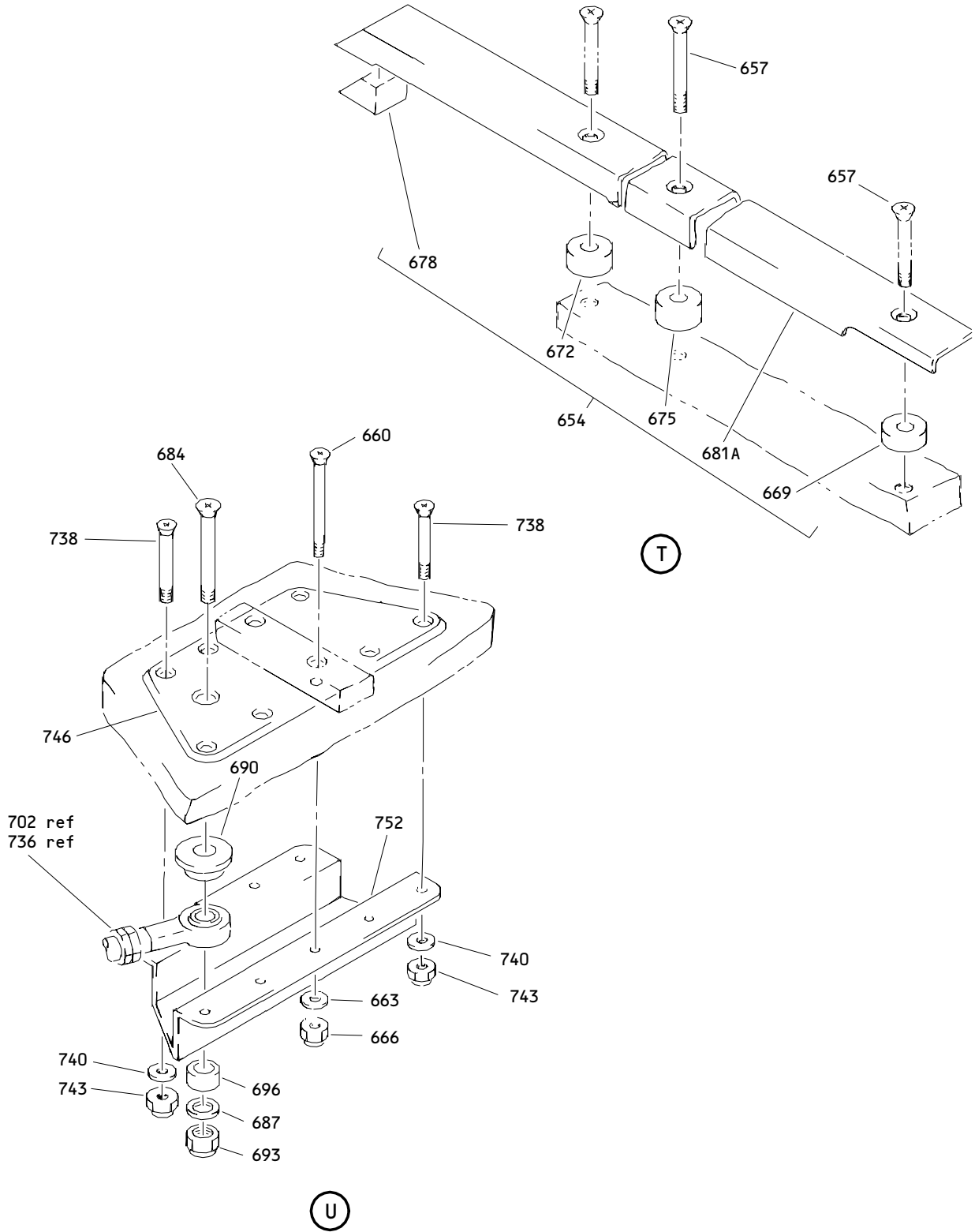
ILLUSTRATED PARTS LIST
01.1 Page 1085
Apr 01/91



Outboard Overhead Storage Bin Assembly
Figure 1D (Sheet 11)

25-28-09

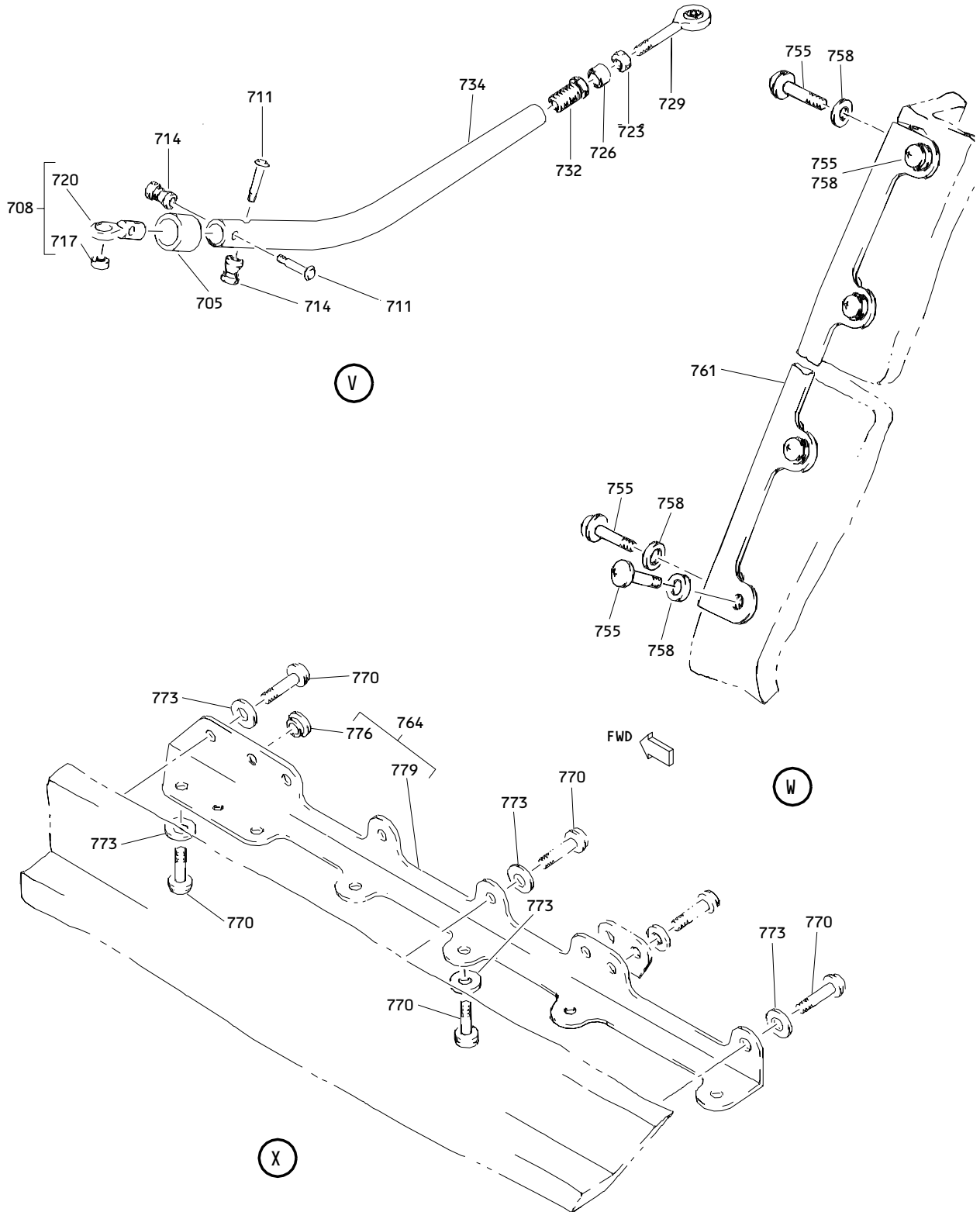
ILLUSTRATED PARTS LIST
 01.1 Page 1086
 Apr 01/91



Outboard Overhead Storage Bin Assembly
Figure 1D (Sheet 12)

25-28-09

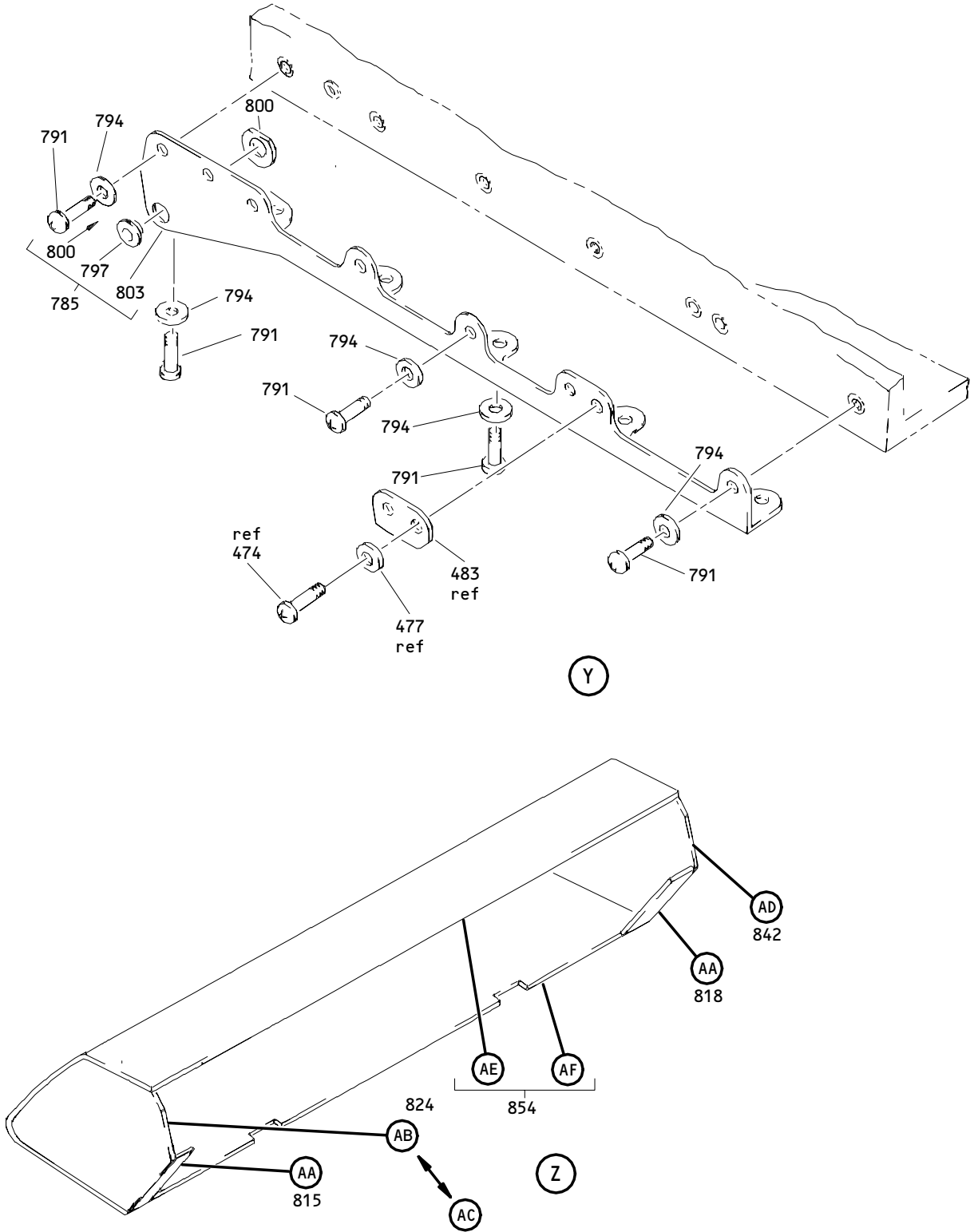
ILLUSTRATED PARTS LIST
01.1 Page 1086A
Apr 01/91



Outboard Overhead Storage Bin Assembly
 Figure 1D (Sheet 13)

25-28-09

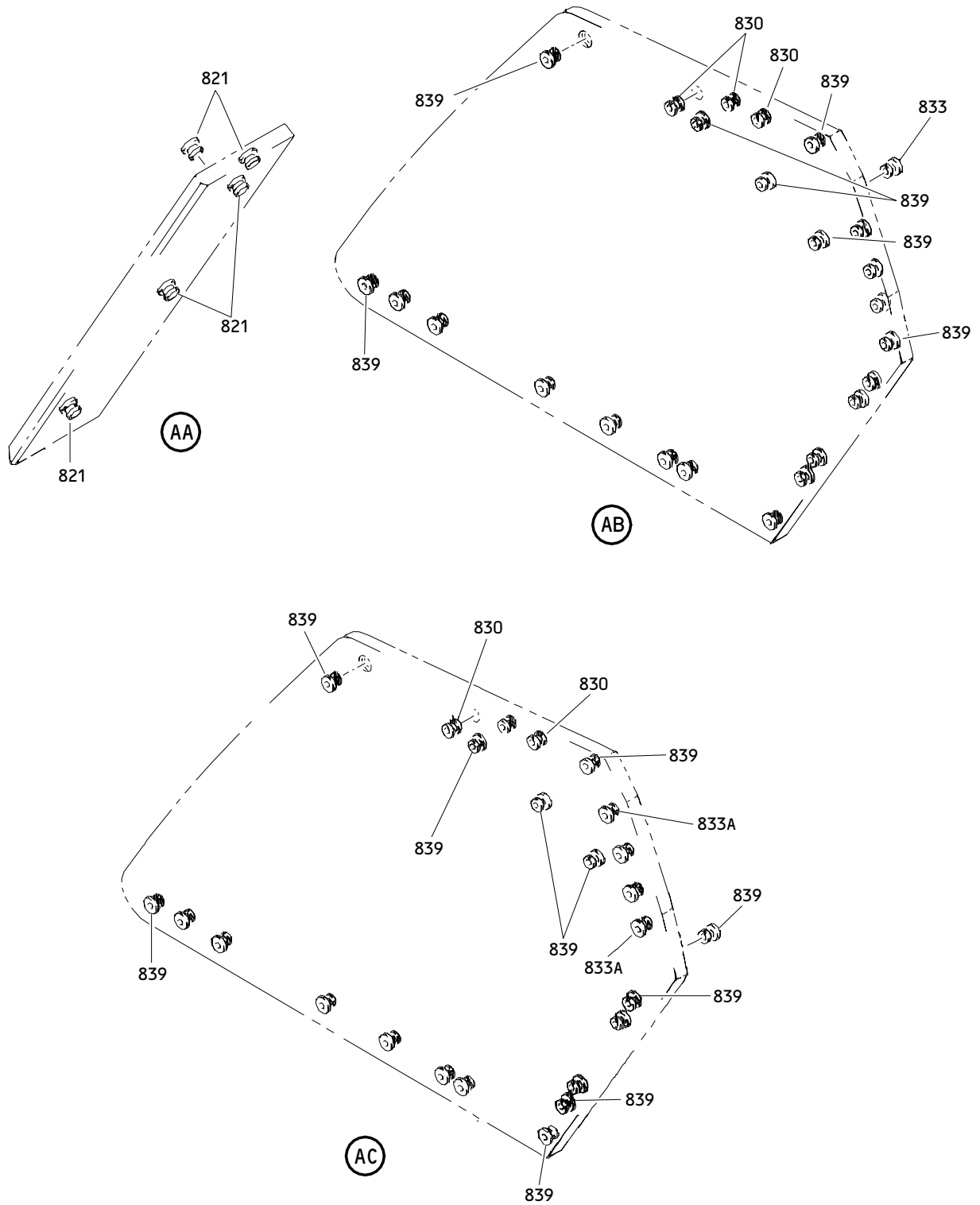
ILLUSTRATED PARTS LIST
 01.1 Page 1086B
 Apr 01/91



Outboard Overhead Storage Bin Assembly
Figure 1D (Sheet 14)

25-28-09

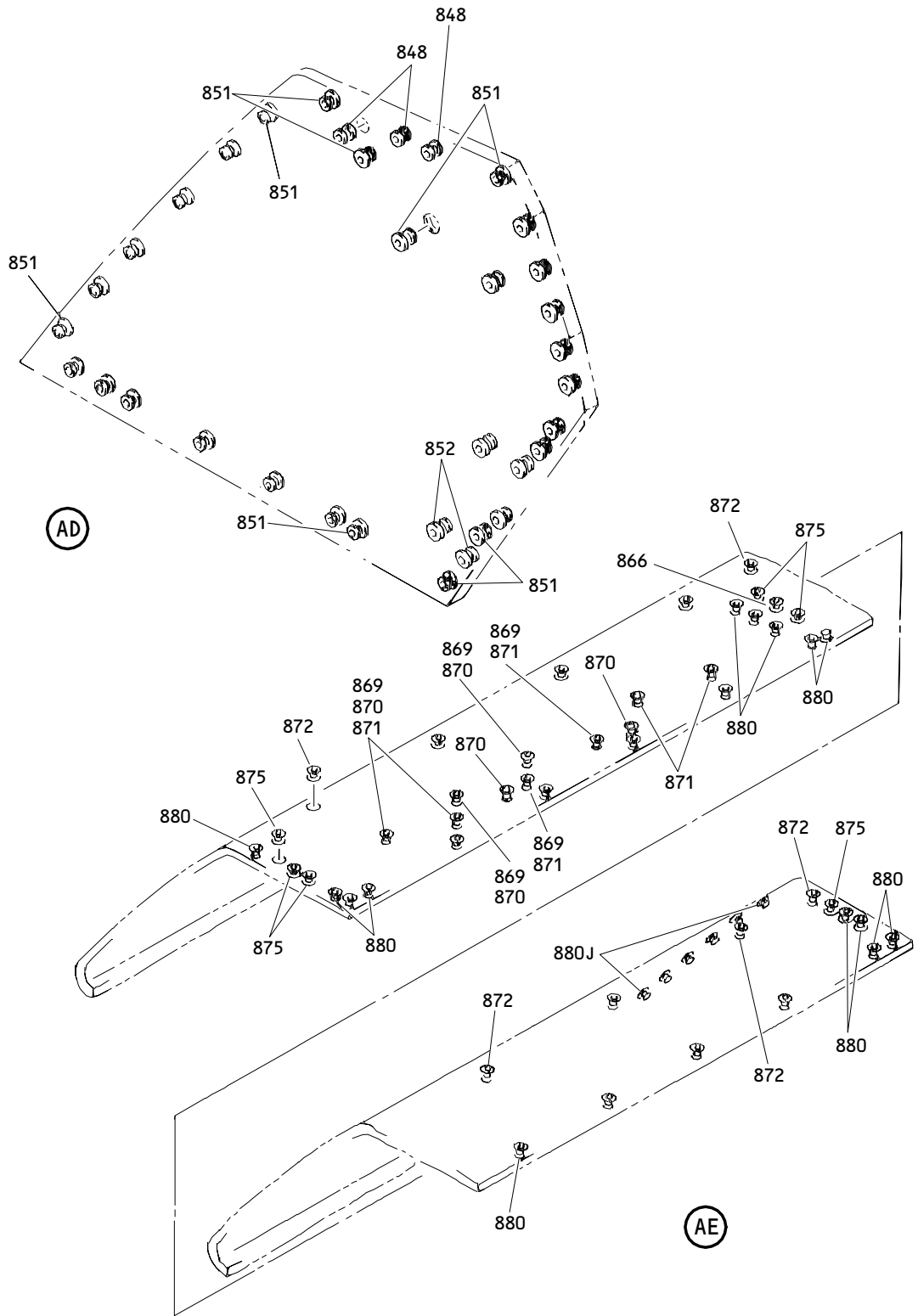
ILLUSTRATED PARTS LIST
01.1 Page 1086C
Apr 01/91



Outboard Overhead Stowage Bin Assembly
Figure 1D (Sheet 15)

25-28-09

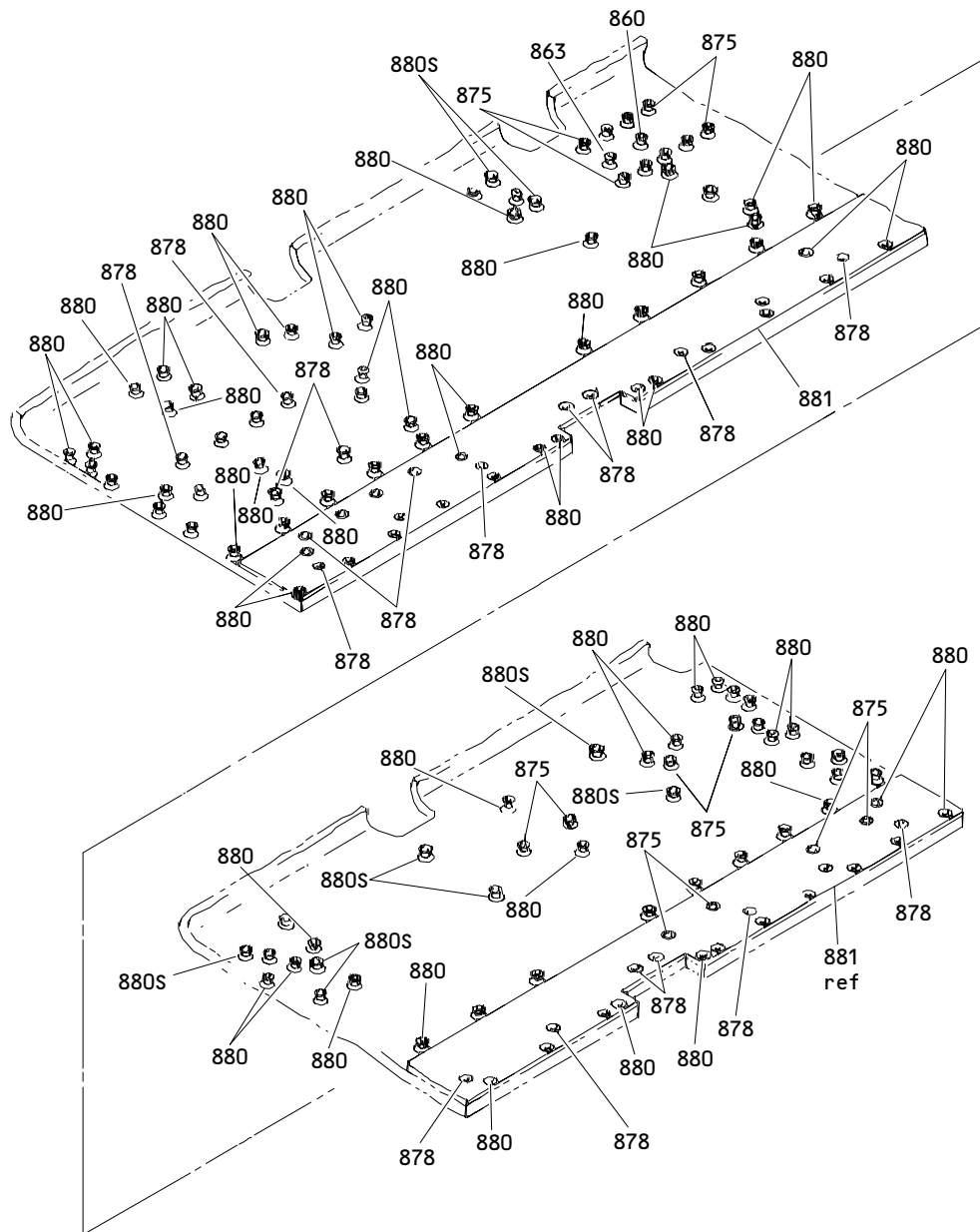
ILLUSTRATED PARTS LIST
01.1 Page 1086D
Apr 01/91



Outboard Overhead Stowage Bin Assembly
Figure 1D (Sheet 16)

25-28-09

ILLUSTRATED PARTS LIST
01.1 Page 1086E
Apr 01/91



AF

Outboard Overhead Storage Bin Assembly
Figure 1D (Sheet 17)

25-28-09

ILLUSTRATED PARTS LIST
01.1 Page 1086F
Apr 01/91

FIG. & ITEM	PART NO.	AIRLINE PART NUMBER	NOMENCLATURE 1234567	EFF CODE	QTY PER ASSY
1D- -1	413T1002-309SP		BIN ASSY-OUTBD OVERHEAD STOWAGE (LH)	A	RF
-1A	413T1002-311SP		BIN ASSY-OUTBD OVERHEAD STOWAGE (LH)	B	RF
-1B	413T1002-339SP		BIN ASSY-OUTBD OVERHEAD STOWAGE (LH)	C	RF
-1C	413T1002-345SP		BIN ASSY-OUTBD OVERHEAD STOWAGE (LH)	D	RF
-1D	413T1002-347SP		BIN ASSY-OUTBD OVERHEAD STOWAGE (LH)	E	RF
-3	413T1002-310SP		BIN ASSY-OUTBD OVERHEAD STOWAGE (RH)	N	RF
-3A	413T1002-312SP		BIN ASSY-OUTBD OVERHEAD STOWAGE (RH)	P	RF
-3B	413T1002-340SP		BIN ASSY-OUTBD OVERHEAD STOWAGE (RH)	Q	RF
-3C	413T1002-346SP		BIN ASSY-OUTBD OVERHEAD STOWAGE (RH)	R	RF
-3D	413T1002-348SP		BIN ASSY-OUTBD OVERHEAD STOWAGE (RH)	S	RF
6	412T3108-3		.FITTING ASSY	A,C,D	1
-6A	412T3108-6		.FITTING ASSY	B,E,P ,S	1
-9	412T3108-4		.FITTING ASSY ATTACHING PARTS	N,Q,R	1
12	NAS623-3-1		.SCREW		2
15	NAS623-3-3		.SCREW		2
18	NAS620A10L		.WASHER		4
21	NAS6603-9		.BOLT		6
24A	AN960JD10LL		.WASHER		12
27A	MS21042L3		.NUT		6
			-----*		
30 30A	BACB28AR06A024A BACB28X4C009		DELETED . .BUSHING- (V23294) (SPEC BACB28X4C009) (OPT BACB28X4C009 (V70265)) (OPT BACB28X4C009 (V94892))	B,E,P ,S	1

25-28-09

FIG. & ITEM	PART NO.	AIRLINE PART NUMBER	NOMENCLATURE 1234567	EFF CODE	QTY PER ASSY
1D- -30B	BACB28X6M024		..BUSHING- (V23294) (SPEC BACB28X6M024) (OPT BACB28X6M024 (V70265)) (OPT BACB28X6M024 (V94892))	A,C,D ,N,Q, R	1
33 33A	BACB28AR06A024A BACB28X4C024		DELETED ..BUSHING- (V23294) (SPEC BACB28X4C024) (OPT BACB28X4C024 (V70265)) (OPT BACB28X4C024 (V94892))	B,E,P ,S	1
-33B	BACB28X6M024		..BUSHING- (V23294) (SPEC BACB28X6M024) (OPT BACB28X6M024 (V70265)) (OPT BACB28X6M024 (V94892))	A,C,D ,N,Q, R	1
36	412T3108-17		..DOUBLER	A,C,D ,N,Q, R	1
39 -39A	412T3108-9 412T3108-12		..FITTING ..FITTING	A,C,D B,E,P ,S	1 1
-42	412T3108-10		..FITTING	N,Q,R	1
45	NAS514P1032-5		.SCREW		1
48	NAS514P1032-4		.SCREW		2
51	NAS623-3-2		.SCREW		2

25-28-09

 ILLUSTRATED PARTS LIST
 01.1 Page 1086H
 Apr 01/91

 **BOEING**
COMPONENT
MAINTENANCE MANUAL

FIG. & ITEM	PART NO.	AIRLINE PART NUMBER	NOMENCLATURE 1234567	EFF CODE	QTY PER ASSY
1D-54	BACB30LU3-10		.BOLT- (V06710) (SPEC BACB30LU3-10) (OPT BACB30LU3-10 (V06725)) (OPT BACB30LU3-10 (V06950)) (OPT BACB30LU3-10 (V17943)) (OPT BACB30LU3-10 (V27624)) (OPT BACB30LU3-10 (V56878)) (OPT BACB30LU3-10 (V80539)) (OPT BACB30LU3-10 (V85495)) (OPT BACB30LU3-10 (V92215)) (OPT BACB30LU3-10 (V97928))		2
57	NAS620A10L		.WASHER		4
60	H10-3BAC		.NUT- (V15653) (SPEC BACN10JC3) (OPT NS202101-02 (V80539)) (OPT RMLH9075-3W (V72962)) (OPT T6S1032J (V71087)) (OPT VN303A02 (V92215)) (OPT 96-02 (V80539)) (OPT BRH10A3 (V52828))		2
63	413T1002-19		.FILLER		4
66	412T2013-4		.FITTING		1
69	412T3108-5		.FITTING ASSY	A-E,P ,S	1
-72	412T3108-6		.FITTING ASSY ATTACHING PARTS	N,Q,R	1
75	NAS6603-9		.BOLT		6
78A	AN960JD10LL		.WASHER		12

25-28-09

ILLUSTRATED PARTS LIST
01.1 Page 1086I
Apr 01/91

FIG. & ITEM	PART NO.	AIRLINE PART NUMBER	NOMENCLATURE 1234567	EFF CODE	QTY PER ASSY
1D-					
81A	MS21042L3		.NUT		6
84	NAS623-3-1		.SCREW		4
87	NAS620A10L		.WASHER		4
			-----*-----		
90	BACB28X4C009		..BUSHING- (V23294) (SPEC BACB28X4C009) (OPT BACB28X4C009 (V70265)) (OPT BACB28X4C009 (V94892))		1
93	BACB28X4C024		..BUSHING- (V23294) (SPEC BACB28X4C024) (OPT BACB28X4C024 (V70265)) (OPT BACB28X4C024 (V94892))		1
96	412T3108-11		..FITTING	A-E,P ,S	1
-99	412T3108-12		..FITTING	N,Q,R	1
102	413T1007-117SP		.DOOR ASSY	A,B,N	2
				,P	
-102A	413T1007-83SP		.DOOR ASSY	C-E, Q-S	2
			ATTACHING PARTS		
105	NAS1801-3-6		.SCREW		16
108	BACW10P183AL		.WASHER- (V10630) (SPEC BACW10P183AL)		16
			-----*-----		

25-28-09

 ILLUSTRATED PARTS LIST
 01.1 Page 1086J
 Apr 01/91

 **BOEING**
COMPONENT
MAINTENANCE MANUAL

FIG. & ITEM	PART NO.	AIRLINE PART NUMBER	NOMENCLATURE 1234567	EFF CODE	QTY PER ASSY
1D-111	413T1028-4		..STRIKE ASSY- (OPT ITEM 111A)		1
-111A	413T1028-5		..STRIKE ASSY- (OPT ITEM 111) ATTACHING PARTS		1
114	NAS623-3-1W		..SCREW		2
117	AN960PD10L		..WASHER -----*-----		2
120	MS20253-2-083		...PIN-HINGE		1
123	413T1093-3		...ROLLER- (USED ON ITEM 111)		1
-123A	NAS1056C3-056		...ROLLER- (USED ON ITEM 111A)		1
124	MS51859-1		...BUSHING- (USED ON ITEM 111A)		2
126	413T1028-2		...STRIKE		1
129	NAS514P1032-6		..SCREW		2
132	413T1010-1		..BUMPER		2
135	NAS602-5		..SCREW	A,B,N	6
138	NAS620A8L		..WASHER	✓P A,B,N	6
141	413T1144-1		..FINGERHOLD	✓P A,B,N	2
144	NAS1836-3-11		..INSERT	✓P	10
147	NAS1836-08-11		..INSERT	A,B,N	6
150	SL618-3A		..INSERT- (V97393)	✓P	2
153	413T1118-3		..COVER		1
156	413T1118-4		..COVER		1
159	413T1007-10SP		..COVER-DECORATIVE		1

25-28-09

ILLUSTRATED PARTS LIST
01.1 Page 1086K
Apr 01/91

FIG. & ITEM	PART NO.	AIRLINE PART NUMBER	NOMENCLATURE 1234567	EFF CODE	QTY PER ASSY
1D-162	413T1024-2		.LATCH ASSY		2
165	NAS514P1032-5		ATTACHING PARTS .SCREW -----*-----		4
168	MS16624-5012		..RING		4
171	413T1090-3		..PIN		1
174	413T1093-2		..ROLLER		1
177	413T1090-1		..PIN		1
180	413T1091-1		..ARM		1
183	413T1092-2		..BOLT		1
186	AN960C8		..WASHER		1
189	H10-08BAC		..NUT- (V15653) (SPEC BACN10JC08) (OPT NS202101-82 (V80539)) (OPT RMLH9075-82W (V72962)) (OPT T6S832J (V71087)) (OPT VN303A82 (V92215)) (OPT 96-82 (V80539)) (OPT BRH10A08 (V52828)) (OPT T6S832J (V11815))		1
192	413T1030-4		..BODY- (OPT ITEM 192A)		1
-192A	413T1030-3		..BODY- (OPT ITEM 192)		1
195	NAS623-3-1		.SCREW		16
198	NAS620A10L		.WASHER		16
201	413T1014-1		.BRACKET		1
204	413T1014-2		.BRACKET		1
207	NAS603-4P		.SCREW		8
210	NAS620A10L		.WASHER		8

25-28-09

 ILLUSTRATED PARTS LIST
 01.1 Page 1086L
 Apr 01/91

FIG. & ITEM	PART NO.	AIRLINE PART NUMBER	NOMENCLATURE 1234567	EFF CODE	QTY PER ASSY
1D-					
213	413T1014-3		.BRACKET		2
216	NAS514P1032-5		.SCREW		3
219	NAS623-3-1		.SCREW		1
222	NAS620A10L		.WASHER		1
225	413T1015-11		.BRACKET	A-E	1
-228	413T1015-12		.BRACKET	N-S	1
231	413T1015-21		.BRACKET ASSY	A-E	1
-234	413T1015-22		.BRACKET ASSY	N-S	1
			ATTACHING PARTS		
237	NAS514P1032-5		.SCREW		1
			-----*		
240	NAS42DD6-6		..SPACER		2
243	SL6161-08-4		..STUD-		2
			(V97393)		
246	413T1015-23		..BRACKET	A-E	1
-249	413T1015-24		..BRACKET	N-S	1
252	413T1017-23		.HINGE ASSY-		2
			(PRE SB 767-25-0078)		
-252A	9994		.HINGE ASSY-		2
			(V80477)		
			(POST SB 767-25-0078)		
255	413T1017-24		.HINGE ASSY-		2
			(PRE SB 767-25-0078)		
-255A	9994		.HINGE ASSY-		2
			(V80477)		
			(POST SB 767-25-0078)		
			ATTACHING PARTS		
258	PSFW10F6DS05WH		.SCREW-		24
			(V12324)		
			-----*		

25-28-09

ILLUSTRATED PARTS LIST
01.1 Page 1086M
Apr 01/91

FIG. & ITEM	PART NO.	AIRLINE PART NUMBER	NOMENCLATURE 1234567	EFF CODE	QTY PER ASSY
1D-261	413T1017-27		..HINGE ASSY- (USED ON ITEM 252)		1
264	413T1017-28		..HINGE ASSY- (USED ON ITEM 255)		1
267	BACB30LH3PU28		...BOLT- (V06710) (SPEC BACB30LH3PU28) (OPT BACB30LH3PU28 (V06725)) (OPT BACB30LH3PU28 (V06950)) (OPT BACB30LH3PU28 (V08524)) (OPT BACB30LH3PU28 (V17943)) (OPT BACB30LH3PU28 (V27624)) (OPT BACB30LH3PU28 (V80539)) (OPT BACB30LH3PU28 (V92215)) (OPT BACB30LH3PU28 (V97928))		1
270	NAS43DD3-30		...SPACER		1
273	BACB30LH3PU22		...BOLT- (V06710) (SPEC BACB30LH3PU22) (OPT BACB30LH3PU22 (V06725)) (OPT BACB30LH3PU22 (V06950)) (OPT BACB30LH3PU22 (V08524)) (OPT BACB30LH3PU22 (V17943)) (OPT BACB30LH3PU22 (V27624)) (OPT BACB30LH3PU22 (V80539)) (OPT BACB30LH3PU22 (V92215)) (OPT BACB30LH3PU22 (V97928))		2

25-28-09

FIG. & ITEM	PART NO.	AIRLINE PART NUMBER	NOMENCLATURE 1234567	EFF CODE	QTY PER ASSY
1D-276	413T1086-31		...HOUSING-CAM (OPT ITEM 276A) (USED ON ITEM 261)		1
-276A	413T1086-13		...HOUSING-CAM (OPT ITEM 276) (USED ON ITEM 261)		1
-279	413T1086-32		...HOUSING-CAM (OPT ITEM 279A) (USED ON ITEM 264)		1
-279A	413T1086-14		...HOUSING-CAM (OPT ITEM 279) (USED ON ITEM 264)		1
282	5S1-6		...STUD- (V71286)		1
285	5S3-2		...WASHER- (V71286)		1
288	413T1086-7		...DOOR		1
291	413T1017-3		...RECEPTACLE ASSY ATTACHING PARTS		1
294	NAS1352C04LB4		...SCREW -----*		2
297	5R3-1	RECEPTACLE- (V71286)		1
300	413T1086-35		...SUPPORT ASSY-SPR (OPT ITEM 300A) (USED ON ITEM 261)		1
-300A	413T1086-9		...SUPPORT ASSY-SPR (OPT ITEM 300) (USED ON ITEM 261)		1
-303	413T1086-36		...SUPPORT ASSY-SPR (OPT ITEM 303A) (USED ON ITEM 264)		1

25-28-09

FIG. & ITEM	PART NO.	AIRLINE PART NUMBER	NOMENCLATURE 1234567	EFF CODE	QTY PER ASSY
1D- -303A	413T1086-10		...SUPPORT ASSY-SPR (OPT ITEM 303) (USED ON ITEM 264)		1
306	UI19136-2B8	INSERT- (V07757) (OPT ITEM 306A)		1
-306A	6035-04BR0219	INSERT- (V01556) (OPT ITEM 306)		1
309	413T1086-37	SUPPORT- (USED ON ITEM 300)		1
-309A	413T1086-11	SUPPORT- (USED ON ITEM 300A)		1
-312	413T1086-38	SUPPORT- (USED ON ITEM 303)		1
-312A	413T1086-12	SUPPORT- (USED ON ITEM 303A)		1
315	413T1086-15		...HOUSING ASSY-SPR (OPT ITEM 315A) (USED ON ITEM 261)		1
-315A	413T1086-3		...HOUSING ASSY-SPR (OPT ITEM 315) (USED ON ITEM 261)		1
-318	413T1086-16		...HOUSING ASSY-SPR (OPT ITEM 318A) (USED ON ITEM 264)		1
-318A	413T1086-4		...HOUSING ASSY-SPR (OPT ITEM 318) (USED ON ITEM 264)		1

25-28-09

 ILLUSTRATED PARTS LIST
 01.1 Page 1086P
 Apr 01/91

 **BOEING**
COMPONENT
MAINTENANCE MANUAL

FIG. & ITEM	PART NO.	AIRLINE PART NUMBER	NOMENCLATURE 1234567	EFF CODE	QTY PER ASSY
1D-321	UI19136-2B8	INSERT- (V07757) (OPT ITEM 321A)		1
-321A	6035-04BR0219	INSERT- (V01556) (OPT ITEM 321)		1
324	UI19136-6B8	INSERT- (V07757) (OPT ITEM 324A)		3
-324A	6041-3BR0375	INSERT- (V01556) (OPT ITEM 324)		3
327	413T1086-17	HOUSING- (USED ON ITEM 315)		1
-327A	413T1086-5	HOUSING- (USED ON ITEM 315A)		1
-330	413T1086-18	HOUSING- (USED ON ITEM 318)		1
-330A	413T1086-6	HOUSING- (USED ON ITEM 318A)		1
333	NAS601-3		...SCREW		2
336	MS35338-136		...WASHER		2
339	413T1083-5		...NUT		2
342	413T1087-1		...BRACKET		1
345	413T1083-10		...SCREW		1
348	413T1083-9		...SCREW		1
351	413T1085-4		...ROLLER		2
354	413T1085-3		...ROLLER		1
357	NAS1515M3L		...WASHER		2
360	413T1020-4		...ARM ASSY-UPR (OPT ITEM 360A)		1
-360A	413T1020-1		...ARM ASSY-UPR (OPT ITEM 360)		1
363	MS21209C0615	INSERT- (USED ON ITEM 360A)		1
366	NAS77A3-15N	BUSHING		2
369	413T1020-5	ARM- (USED ON ITEM 360)		1
-369A	413T1020-2	ARM- (USED ON ITEM 360A)		1
372	413T1083-11		...SCREW		1

25-28-09

ILLUSTRATED PARTS LIST
01.1 Page 1086Q
Apr 01/91

FIG. & ITEM	PART NO.	AIRLINE PART NUMBER	NOMENCLATURE 1234567	EFF CODE	QTY PER ASSY
1D-					
375	NAS1515M3L		...WASHER		1
378	AN960C10L		...WASHER		1
381	413T1022-19		...FOLLOWER ASSY-CAM (OPT ITEMS 381A, 381B) (USED ON ITEM 261)		1
-381A	413T1022-7		...FOLLOWER ASSY-CAM (OPT ITEMS 381, 381B) (USED ON ITEM 261)		1
-381B	413T1022-11		...FOLLOWER ASSY-CAM (OPT ITEMS 381, 381A) (USED ON ITEM 261)		1
-384	413T1022-20		...FOLLOWER ASSY-CAM (OPT ITEMS 384A, 384B) (USED ON ITEM 264)		1
-384A	413T1022-8		...FOLLOWER ASSY-CAM (OPT ITEMS 384, 384B) (USED ON ITEM 264)		1
-384B	413T1022-12		...FOLLOWER ASSY-CAM (OPT ITEMS 384, 384A) (USED ON ITEM 264)		1
387	MS21209C0610	INSERT- (USED ON ITEMS 381A, 384A)		2
390	NAS76A3-009N	BUSHING		1
393	413T1022-17	FOLLOWER- (USED ON ITEM 381)		1
-393A	413T1022-9	FOLLOWER- (USED ON ITEM 381A)		1
-393B	413T1022-13	FOLLOWER- (USED ON ITEM 381B)		1
-396	413T1022-18	FOLLOWER- (USED ON ITEM 384)		1
-396A	413T1022-10	FOLLOWER- (USED ON ITEM 384A)		1
-396B	413T1022-14	FOLLOWER- (USED ON ITEM 384B)		1
399	413T1083-8		...SCREW		1
402	413T1084-1		...SHAFT		1
405	413T1021-1		...ARM ASSY-LWR		1
408	NAS77A3-15N	BUSHING		4
411	NAS76A3-007N	BUSHING		1
414	413T1021-2	ARM		1

25-28-09

 ILLUSTRATED PARTS LIST
 01.1 Page 1086R
 Apr 01/91

 **BOEING**
COMPONENT
MAINTENANCE MANUAL

FIG. & ITEM	PART NO.	AIRLINE PART NUMBER	NOMENCLATURE 1234567	EFF CODE	QTY PER ASSY
1D- 417	413T1023-1		...ACTUATOR ASSY- (USED ON ITEM 261)		1
-420	413T1023-2		...ACTUATOR ASSY- (USED ON ITEM 264)		1
423	MS21209F4-10	INSERT		1
426	NAS77A3-24N	BUSHING		1
429	NAS77A3-68N	BUSHING		1
432	413T1023-3	ACTUATOR- (USED ON ITEM 417)		1
-435	413T1023-4	ACTUATOR- (USED ON ITEM 420)		1
438	F1313		..SPRING ASSY-GAS (V55787) (SPEC S413T301-2)		1
441	413T1136-15		.PANEL ASSY-HINGE	A-E	1
-444	413T1136-16		.PANEL ASSY-HINGE ATTACHING PARTS	N-S	1
447	NAS623-3-7		.SCREW		8
450A	AN960JD10LL		.WASHER -----*		8
453	NAS1801-3-5		..SCREW		8
456	BACW10P183AL		..WASHER- (V10630) (SPEC BACW10P183AL)		8
459	413T1014-5		..SUPPORT		8
462	NAS1836-3-09		..INSERT		24
465	SL618-3A		..INSERT- (V97393)		24
468	413T1136-61		..TRIM-EDGE		AR

25-28-09

ILLUSTRATED PARTS LIST
01.1 Page 1086S
Apr 01/91

FIG. & ITEM	PART NO.	AIRLINE PART NUMBER	NOMENCLATURE 1234567	EFF CODE	QTY PER ASSY
1D-471	412T2014-1		.FITTING ASSY ATTACHING PARTS		2
474	NAS623-3-2		.SCREW		4
477	NAS620A10L		.WASHER -----*-----		4
480A	BCREFA0486		DELETED		
480B	BACB28X4M050		..BUSHING- (V23294) (SPEC BACB28X4M050) (OPT BACB28X4M050 (V70265)) (OPT BACB28X4M050 (V94892))		1
483	412T2014-2		..FITTING		1
486	412T1004-1SP		.RAIL ASSY	A,D,N	1
-486A	412T1004-89SP		.RAIL ASSY	R	1
-486B	412T1004-137SP		.RAIL ASSY	B,E	1
-489	412T1004-90SP		.RAIL ASSY	C	1
-489A	412T1004-138SP		.RAIL ASSY	P,S	1
			ATTACHING PARTS	Q	1
492	NAS6603-2		.BOLT		22
495A	AN960JD10LL		.WASHER -----*-----		22
498	412T1004-17SP		..SURFACE-DECORATIVE	A,D,N	1
-498A	412T1004-93SP		..SURFACE-DECORATIVE	R	1
-498B	412T1004-36SP		..SURFACE-DECORATIVE	B,E,P	1
				S	
				C,Q	1

25-28-09

 ILLUSTRATED PARTS LIST
 01.1 Page 1086T
 Apr 01/91

FIG. & ITEM	PART NO.	AIRLINE PART NUMBER	NOMENCLATURE 1234567	EFF CODE	QTY PER ASSY
1D-501	412T1004-9		..RAIL	A,D,N	1
-501A	412T1004-91		..RAIL	R	1
-501B	412T1004-139		..RAIL	B,E	1
-503	412T1004-92		..RAIL	C	1
-503A	412T1004-140		..RAIL	P,S	1
505	2055051		.RETAINER- (V04169)	Q	10
507	413T1081-1		.CHANNEL ASSY ATTACHING PARTS		1
510	NAS623-3-1		.SCREW		36
513	NAS623-3-3		.SCREW		2
516	NAS620A10L		.WASHER		38
			-----*		
519	AF5171-3-2		..RIVET- (V53551) (SPEC BACR15DR3-2) (OPT CCR264SS3-2 (V11815)) (OPT RV571A3-2 (V98996))		52
522	BRF100A3		..NUTPLATE- (V52828) (SPEC BACN10KB3F) (OPT F2000-3 (V15653)) (OPT RMF9207-3 (V72962)) (OPT T8114S1032S (V11815)) (OPT VN151A1-02 (V92215)) (OPT F2000-3 (V15653))		4

25-28-09

FIG. & ITEM	PART NO.	AIRLINE PART NUMBER	NOMENCLATURE 1234567	EFF CODE	QTY PER ASSY
1D-525	F5000-3BAC		..NUTPLATE- (V15653) (SPEC BACN10JR3F) (OPT NS103203-02 (V80539)) (OPT RMF9201-3 (V72962)) (OPT T8091S1032 (V11815)) (OPT VN152A1-02 (V92215)) (OPT BRF200A3 (V52828))		22
528	413T1081-6		..CHANNEL		1
531	412T1000-1SP		.RAIL AND BRACKET ASSY- PASS. SVCE UNIT/SIDEWALL SPRT	A	1
-531A	412T1000-59SP		.RAIL AND BRACKET ASSY- PASS. SVCE UNIT/SIDEWALL SPRT	B,E	1
-531B	412T1000-69SP		.RAIL AND BRACKET ASSY- PASS. SVCE UNIT/SIDEWALL SPRT	C	1
-531C	412T1000-75SP		.RAIL AND BRACKET ASSY- PASS. SVCE UNIT/SIDEWALL SPRT	D	1
-534	412T1000-2SP		.RAIL AND BRACKET ASSY- PASS. SVCE UNIT/SIDEWALL SPRT	N	1
-534A	412T1000-60SP		.RAIL AND BRACKET ASSY- PASS. SVCE UNIT/SIDEWALL SPRT	P,S	1
-534B	412T1000-70SP		.RAIL AND BRACKET ASSY- PASS. SVCE UNIT/SIDEWALL SPRT	Q	1
-534C	412T1000-76SP		.RAIL AND BRACKET ASSY- PASS. SVCE UNIT/SIDEWALL SPRT	R	1
537	NAS1801-3-5		ATTACHING PARTS .SCREW		12
540	NAS620A10L		.WASHER		12
			-----*		
543	412T1001-1		..CHANNEL ASSY	A-D	1
-546	412T1001-2		..CHANNEL ASSY ATTACHING PARTS	N-R	1

25-28-09

 ILLUSTRATED PARTS LIST
 01.1 Page 1086V
 Apr 01/91

 **BOEING**
COMPONENT
MAINTENANCE MANUAL

FIG. & ITEM	PART NO.	AIRLINE PART NUMBER	NOMENCLATURE 1234567	EFF CODE	QTY PER ASSY
1D-					
549	NAS6603-3		..BOLT		2
552	AN960PD10		..WASHER		2
555	NAS623-2-2		..SCREW		2
558	AN960PD8L		..WASHER		2
561	H10-08BAC		..NUT- (V15653) (SPEC BACN10JC08) (OPT NS202101-82 (V80539)) (OPT RMLH9075-82W (V72962)) (OPT T6S832J (V71087)) (OPT VN303A82 (V92215)) (OPT 96-82 (V80539)) (OPT BRH10A08 (V52828)) (OPT T6S832J (V11815)) -----*		2
564	BACR15BA3AD		...RIVET- (SIZE DETERMINE ON INST)		4
567	BRM100A3		...NUTPLATE- (V52828) (SPEC BACN10JP3B) (OPT MK2000-3BAC (V15653)) (OPT NS103198-02 (V80539)) (OPT RMA9207-3 (V72962)) (OPT T8077S1032 (V11815)) (OPT VN201A1-02 (V92215))		2

25-28-09

ILLUSTRATED PARTS LIST
01.1 Page 1086W
Apr 01/91

FIG. & ITEM	PART NO.	AIRLINE PART NUMBER	NOMENCLATURE 1234567	EFF CODE	QTY PER ASSY
1D-					
570	412T1001-7		...CHANNEL	A-E	1
-573	412T1001-8		...CHANNEL	N-S	1
576	412T1003-2		..BRACKET ASSY	A-E	6
577	412T1003-2		..BRACKET ASSY	D	1
-579	412T1003-1		..BRACKET ASSY	N-S	6
-580	412T1003-1		..BRACKET ASSY	R	1
			ATTACHING PARTS		
582	NAS6603-3		..BOLT		12
583	NAS6603-3		..BOLT	D,R	2
585	AN960PD10		..WASHER		12
586	AN960PD10		..WASHER	D,R	2
			-----*-----		
588	BACR15BA3AD		...RIVET-		4
			(SIZE DETERMINE ON INST)		
589	BACR15BA3AD		...RIVET-	D,R	4
			(SIZE DETERMINE ON INST)		
591	BRM300A3		...NUTPLATE-		2
			(V52828)		
			(SPEC BACN10JP3C)		
			(OPT MK3000-3BAC		
			(V15653))		
			(OPT NS103199-02		
			(V80539))		
			(OPT RMA9205M3		
			(V72962))		
			(OPT T8078S1032		
			(V11815))		
			(OPT VN203A1-02		
			(V92215))		

25-28-09

 ILLUSTRATED PARTS LIST
 01.1 Page 1086X
 Apr 01/91

FIG. & ITEM	PART NO.	AIRLINE PART NUMBER	NOMENCLATURE 1234567	EFF CODE	QTY PER ASSY
1D-592	BRM300A3		...NUTPLATE- (V52828) (SPEC BACN10JP3C) (OPT MK3000-3BAC (V15653)) (OPT NS103199-02 (V80539)) (OPT RMA9205M3 (V72962)) (OPT T8078S1032 (V11815)) (OPT VN203A1-02 (V92215))	D,R	2
594	412T1003-4		...BRACKET	A-E	1
595	412T1003-4		...BRACKET	D	1
-597	412T1003-3		...BRACKET	N-S	1
-598	412T1003-3		...BRACKET	R	1
600	2055144		..RETAINER- (V04169)		14
603	2055144		..RETAINER- (V04169)	B,E,P ,S	1
606	412T1002-1SP		..RAIL ASSY	A	1
-606A	412T1002-155SP		..RAIL ASSY	B,E	1
-606B	412T1002-179SP		..RAIL ASSY	C	1
-606C	412T1002-191SP		..RAIL ASSY	D	1
-609	412T1002-2SP		..RAIL ASSY	N	1
-609A	412T1002-156SP		..RAIL ASSY	P,S	1
-609B	412T1002-180SP		..RAIL ASSY	Q	1
-609C	412T1002-192SP		..RAIL ASSY	R	1
612	BACR15BB4AD		...RIVET- (SIZE DETERMINE ON INST)		10
615	WS1-332A8		...NUTPLATE- (V04169) (SPEC BACN10GH3A8)		5

25-28-09

ILLUSTRATED PARTS LIST
01.1 Page 1086Y
Apr 01/91

FIG. & ITEM	PART NO.	AIRLINE PART NUMBER	NOMENCLATURE 1234567	EFF CODE	QTY PER ASSY
1D-617	BACR15BB4AD		...RIVET- (SIZE DETERMINE ON INST)	A,C,D ,N,Q, R	2
619	WS1-332A8		...NUTPLATE- (V04169) (SPEC BACN10GH3A8)	A,C,D ,N,Q, R	1
621	NAS1801-3-12		...SCREW		3
623	MS35338-43		...WASHER		3
625	AN960D10L		...WASHER		6
627	MS35650-305S		...NUT		3
629	NAS1801-3-12		...SCREW	A,D,N ,R	1
631	MS35338-43		...WASHER	A,D,N ,R	1
633	AN960D10L		...WASHER	A,D,N ,R	2
634	MS35650-305S		...NUT	A,D,N ,R	1
636	412T1002-17SP		...SURFACE-DECORATIVE	A,D,N ,R	1
639	412T1002-107SP		...SURFACE-DECORATIVE	B,E,P ,S	1
640	412T1002-53SP		...SURFACE-DECORATIVE	C,Q	1
642	412T1002-9		...RAIL	A	1
-642A	412T1002-193		...RAIL	D	1
645	412T1002-157		...RAIL	B,E	1
646	412T1002-181		...RAIL	C	1
-648	412T1002-10		...RAIL	N	1
-648A	412T1002-194		...RAIL	R	1
-651	412T1002-158		...RAIL	P,S	1
-652	412T1002-182		...RAIL	Q	1
654	413T1095-8		.RETAINER ASSY ATTACHING PARTS		1
657	NAS514P1032-9		.SCREW		2
660	NAS514P1032-18		.SCREW		1
663	AN960PD10L		.WASHER		1

25-28-09

 ILLUSTRATED PARTS LIST
 01.1 Page 1086Z
 Apr 01/91

 **BOEING**
COMPONENT
MAINTENANCE MANUAL

FIG. & ITEM	PART NO.	AIRLINE PART NUMBER	NOMENCLATURE 1234567	EFF CODE	QTY PER ASSY
1D-666	H10-3BAC		.NUT- (V15653) (SPEC BACN10JC3) (OPT NS202101-02 (V80539)) (OPT RMLH9075-3W (V72962)) (OPT T6S1032J (V71087)) (OPT VN303A02 (V92215)) (OPT 96-02 (V80539)) (OPT BRH10A3 (V52828)) -----*		1
669	BACS18K10-15		..SPACER		1
672	BACS18K10-18		..SPACER		1
675	BACS18K10-23		..SPACER		1
678	413T1095-5		..PLUG		1
681A	413T1095-10		..RETAINER		1
684	HL19PB10-24		.BOLT- (V56878) (SPEC BACB30FN10-24) (OPT HL19PB10-24 (V73197)) (OPT HL19PB10-24 (V92215)) (OPT HL19PB10-24 (V97928)) (OPT 62547-10-24 (V56878)) (OPT HL19PB10-24 (V80539)) (OPT WC2510-24 (V60516)) (OPT HL19PB10-24 (V60516)) (OPT HL19PB10-24 (V08524))		1
687	AN960C516L		.WASHER		1
690	412T2047-1		.SPACER		1

25-28-09

ILLUSTRATED PARTS LIST
01.1 Page 1087
Apr 01/91

FIG. & ITEM	PART NO.	AIRLINE PART NUMBER	NOMENCLATURE 1234567	EFF CODE	QTY PER ASSY
1D-693	H01-5BAC		.NUT- (V15653) (SPEC BACN10JC5CM) (OPT T6C524JM (V11815)) (OPT 109LH9075-5W (V72962)) (OPT 97E054 (V80539))		1
696	BACB28Z5-025		.BUSHING- (V23294) (SPEC BACB28Z5-025) (OPT BACB28Z5-025 (V70265)) (OPT BACB28Z5-025 (V94892))		1
697	412T2010-7		.TIE ASSY-TNSN	D,R	1
698	AN316-5R		..NUT	D,R	1
698N	ART4E125		..BEARING-ROD END (V50294) (SPEC 10-60779-102) (OPT YTM124B (V77896)) (OPT DREM4-057 (V81376)) (OPT REM8ATC10 (V21335)) (OPT 01-727-0250 (V09455)) (OPT NHNE4-201 (V15860)) (OPT MSSR45-14BAC (V73134)) (OPT KBDE4-31 (V97613))	D,R	1
699	AN316-5L		..NUT	D,R	1
699N	10-60779-103L		..BEARING	D,R	1
700	412T2010-8		..TUBE	D,R	1
702	412T2010-1		.TIE ASSY-TNSN (OPT ITEM 736)	A-C,E ,N-Q, S	1

25-28-09

 ILLUSTRATED PARTS LIST
 01.1 Page 1088
 Apr 01/91

FIG. & ITEM	PART NO.	AIRLINE PART NUMBER	NOMENCLATURE 1234567	EFF CODE	QTY PER ASSY
1D-705	412T2010-3		..PAD	A-C,E ,N-Q, S	1
708	412T2011-1		..FITTING ASSY	A-C,E ,N-Q, S	1
711	SALPYT6-16		ATTACHING PARTS ..BOLT- (V11815) (SPEC BACB30GW6-16) (OPT SALPYT6-16 (V29666)) (OPT SALPYT6-16 (V17446))	A-C,E ,N-Q, S	2
714	2DCC6		..COLLAR- (V11815) (SPEC BACC30K6) (OPT 2DCC6 (V17446)) -----*	A-C,E ,N-Q, S	2
717	HU4-134		...BEARING- (V02758) (SPEC BACB10AB4) (OPT ABW4V5 (V50294)) (OPT AB4VCRG (V15860)) (OPT BSSR4804 (V81376)) (OPT KWB4-20CRG (V97613)) (OPT WG4E (V73134)) (OPT 55282 (V09455)) (OPT WC4G1 (V56644))	A-C,E ,N-Q, S	1

25-28-09

ILLUSTRATED PARTS LIST
01.1 Page 1088A
Apr 01/91

FIG. & ITEM	PART NO.	AIRLINE PART NUMBER	NOMENCLATURE 1234567	EFF CODE	QTY PER ASSY
1D-720	412T2011-2		...FITTING	A-C,E ,N-Q, S	1
723	412T2012-2		..NUT	A-C,E ,N-Q, S	1
726	412T2012-1		..SLEEVE	A-C,E ,N-Q, S	1
729	10-60779-112L		..BEARING-ROD END	A-C,E ,N-Q, S	1
732	AN316-6L		..NUT	A-C,E ,N-Q, S	1
734	412T2010-2		..TUBE	A-C,E ,N-Q, S	1
736	1281-1		.TIE ASSY-TNSN (V34742) (OPT ITEM 702)	A-C,E ,N-Q, S	1
738	BACB30LU3-9		.BOLT- (V06710) (SPEC BACB30LU3-9) (OPT BACB30LU3-9 (V06725)) (OPT BACB30LU3-9 (V06950)) (OPT BACB30LU3-9 (V17943)) (OPT BACB30LU3-9 (V27624)) (OPT BACB30LU3-9 (V56878)) (OPT BACB30LU3-9 (V80539)) (OPT BACB30LU3-9 (V85495)) (OPT BACB30LU3-9 (V92215)) (OPT BACB30LU3-9 (V97928))		8

25-28-09

 ILLUSTRATED PARTS LIST
 01.1 Page 1088B
 Apr 01/91

 **BOEING**
COMPONENT
MAINTENANCE MANUAL

FIG. & ITEM	PART NO.	AIRLINE PART NUMBER	NOMENCLATURE 1234567	EFF CODE	QTY PER ASSY
1D- 740 743	AN960PD10L H10-3BAC		.WASHER .NUT- (V15653) (SPEC BACN10JC3) (OPT NS202101-02 (V80539)) (OPT RMLH9075-3W (V72962)) (OPT T6S1032J (V71087)) (OPT VN303A02 (V92215)) (OPT 96-02 (V80539)) (OPT BRH10A3 (V52828))		8 8
746	412T2046-3		.DOUBLER	A-E	1
-749	412T2046-4		.DOUBLER	N-S	1
752	412T2013-3		.FITTING		1
755	NAS623-3-1		.SCREW		12
758	NAS620A10L		.WASHER		12
761	412T2013-2		.ANGLE		1
764	412T3109-5		.FITTING ASSY	A-E,P ,S	1
-767	412T3109-6		.FITTING ASSY ATTACHING PARTS	N,Q,R	1
770	NAS623-3-1		.SCREW		11
773	NAS620A10L		.WASHER		11
776	BACB28X4C005		-----*----- .BUSHING- (V23294) (SPEC BACB28X4C005) (OPT BACB28X4C005 (V70265)) (OPT BACB28X4C005 (V94892))		1

25-28-09

ILLUSTRATED PARTS LIST
01.1 Page 1088C
Apr 01/91

FIG. & ITEM	PART NO.	AIRLINE PART NUMBER	NOMENCLATURE 1234567	EFF CODE	QTY PER ASSY
1D-779	412T3109-15		..FITTING	A-E,P ,S	1
-782	412T3109-16		..FITTING	N,Q,R	1
785	412T3109-3		.FITTING ASSY	A,C,D	1
-785A	412T3109-6		.FITTING ASSY	B,E,P ,S	1
-788	412T3109-4		.FITTING ASSY ATTACHING PARTS	N,Q,R	1
791	NAS623-3-1		.SCREW		11
794	NAS620A10L		.WASHER		11
			-----*		
797	BACB28AR06A024A		..BUSHING- (V09455) (SPEC BACB28AR06A024A) (OPT BACB28AR06A024A (V15860)) (OPT BACB28AR06A024A (V50294)) (OPT BACB28AR06A024A (V73134)) (OPT BACB28AR06A024A (V77896)) (OPT BACB28AR06A024A (V97613))	A,C,D ,N,Q, R	1
-797A	BACB28X4C005		..BUSHING- (V23294) (SPEC BACB28X4C005) (OPT BACB28X4C005 (V70265)) (OPT BACB28X4C005 (V94892))	B,E,P ,S	1

25-28-09

 ILLUSTRATED PARTS LIST
 01.1 Page 1088D
 Apr 01/91

 **BOEING**
COMPONENT
MAINTENANCE MANUAL

FIG. & ITEM	PART NO.	AIRLINE PART NUMBER	NOMENCLATURE 1234567	EFF CODE	QTY PER ASSY
1D-800	412T3109-21		..DOUBLER	A,C,D ,N,Q, R	1
803	412T3109-13		..FITTING	A,C,D	1
-803A	412T3109-16		..FITTING	B,E,P ,S	1
-806	412T3109-14		..FITTING	N,Q,R	1
809	413T1013-7		.SHELL ASSY	A	1
-809A	413T1013-389		.SHELL ASSY	B,E	1
-809B	413T1013-669		.SHELL ASSY	C	1
-809C	413T1013-633		.SHELL ASSY	D	1
-812	413T1013-8		.SHELL ASSY	N	1
-812A	413T1013-390		.SHELL ASSY	P,S	1
-812B	413T1013-670		.SHELL ASSY	Q	1
-812C	413T1013-634		.SHELL ASSY	R	1
815	413T1013-21		..PANEL ASSY-INBD		1
818	413T1013-22		..PANEL ASSY-INBD		1
821	NAS1836-3-07		...INSERT		5
824	413T1013-101		..PANEL ASSY-AFT	A,C,D	1
-824A	413T1013-391		..PANEL ASSY-AFT	B,E	1
-827	413T1013-102		..PANEL ASSY-AFT	N,Q,R	1
-827A	413T1013-392		..PANEL ASSY-AFT	P,S	1
830	NAS1834A3-400		...INSERT- (OPT ITEM 830A)		3
-830A	NAS1834-3-400		...INSERT- (OPT ITEM 830)		3
833	NAS1836-3-11		...INSERT	A,C,D ,N,Q, R	4
833A	NAS1834A3-400		...INSERT- (OPT ITEM 833B)	B,E,P ,S	4
-833B	NAS1834-3-400		...INSERT- (OPT ITEM 833A)	B,E,P ,S	4
839	NAS1836-3-11		...INSERT		18
842	413T1013-29		..PANEL ASSY	A,B,D ,E	1
-842A	413T1013-671		..PANEL ASSY	C	1
-845	413T1013-30		..PANEL ASSY	N,P,R ,S	1
-845A	413T1013-672		..PANEL ASSY	Q	1
848	NAS1834A3-400		...INSERT- (OPT ITEM 848A)		3
-848A	NAS1834-3-400		...INSERT- (OPT ITEM 848)		3

25-28-09

ILLUSTRATED PARTS LIST
01.1 Page 1088E
Apr 01/91

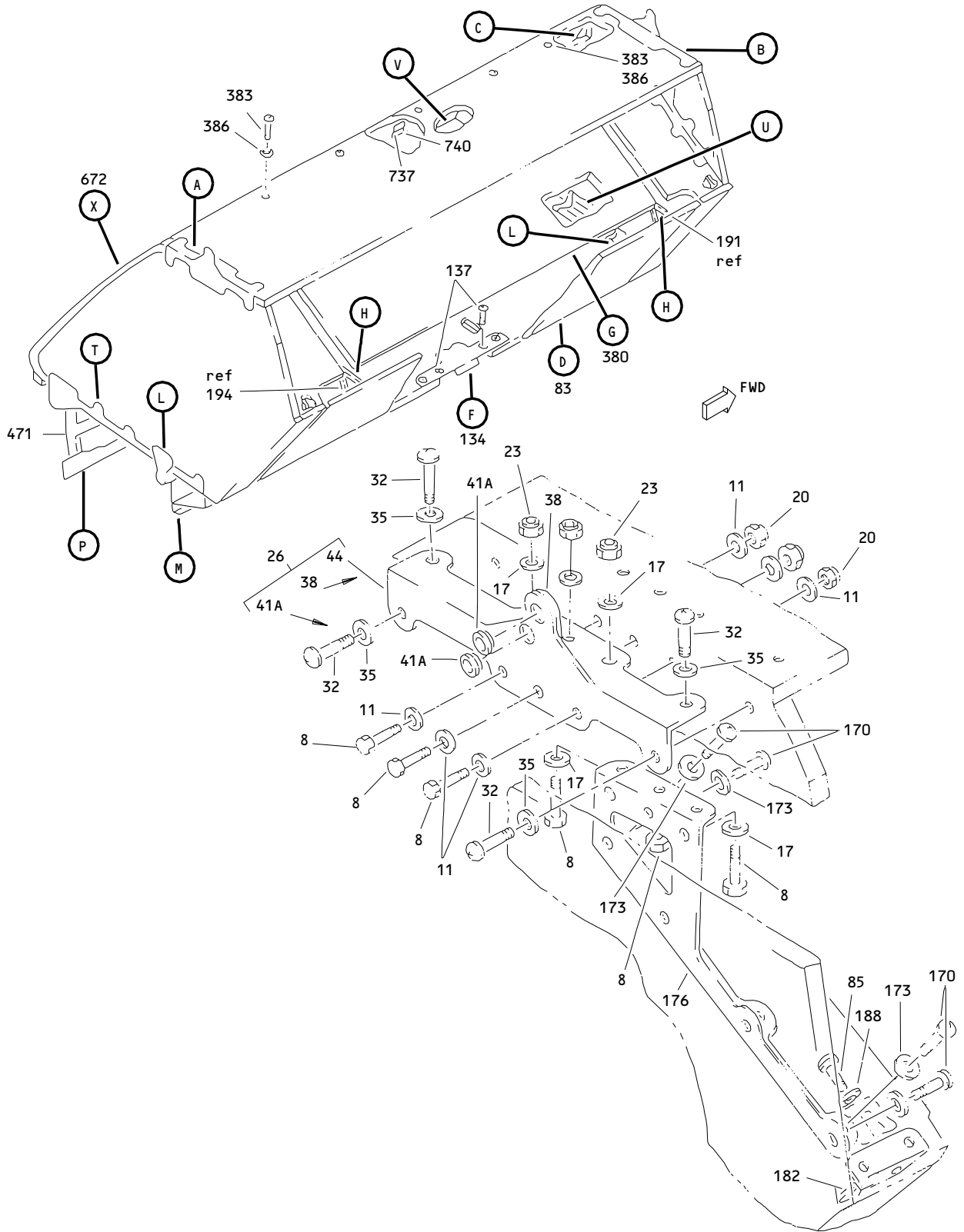
FIG. & ITEM	PART NO.	AIRLINE PART NUMBER	NOMENCLATURE 1234567	EFF CODE	QTY PER ASSY
1D-					
851	NAS1836-3-11		...INSERT		30
852	NAS1836-3-11		...INSERT	C,Q	2
854	413T1013-27		..PANEL ASSY	A	1
-854A	413T1013-247		..PANEL ASSY	B,E	1
-854B	413T1013-675		..PANEL ASSY	C	1
-854C	413T1013-635		..PANEL ASSY	D	1
-857	413T1013-28		..PANEL ASSY	N	1
-857A	413T1013-248		..PANEL ASSY	P,S	1
-857B	413T1013-676		..PANEL ASSY	Q	1
-857C	413T1013-636		..PANEL ASSY	R	1
860	NAS1834C4-400		...INSERT		1
863	NAS1834C5-400		...INSERT		1
866	NAS1833-3-400		...INSERT		1
869	NAS1836-08-11		...INSERT	A,B,E ,N,P, S	6
870	NAS1836-08-11		...INSERT	C,Q	6
871	NAS1836-08-11		...INSERT	D,R	6
872	NAS1834A4-400		...INSERT-		9
			(OPT ITEM 872A)		
-872A	NAS1834-4-400		...INSERT-		9
			(OPT ITEM 872)		
875	NAS1834A3-400		...INSERT-		23
			(OPT ITEM 875A)		
-875A	NAS1834-3-400		...INSERT-		23
			(OPT ITEM 875)		
878	SL618-3A		...INSERT-		25
			(V97393)		
880	NAS1836-3-11		...INSERT		118
880J	NAS1836-3-11		...INSERT	A-C,E ,N-Q, S	6
880S	NAS1836-3-11		...INSERT	D,R	9

25-28-09

 ILLUSTRATED PARTS LIST
 01.1 Page 1088F
 Apr 01/91

FIG. & ITEM	PART NO.	AIRLINE PART NUMBER	NOMENCLATURE	EFF CODE	QTY PER ASSY
			1234567		
1D- 881	413T1016-1		...BOND ASSY-DBLR		1
884	BAC29PPS2172		.DECAL-LATCH DOOR CLOSED		2
887	BAC29PPS2174		.DECAL-LOAD LIMIT 87 LB/ 39 KG		2

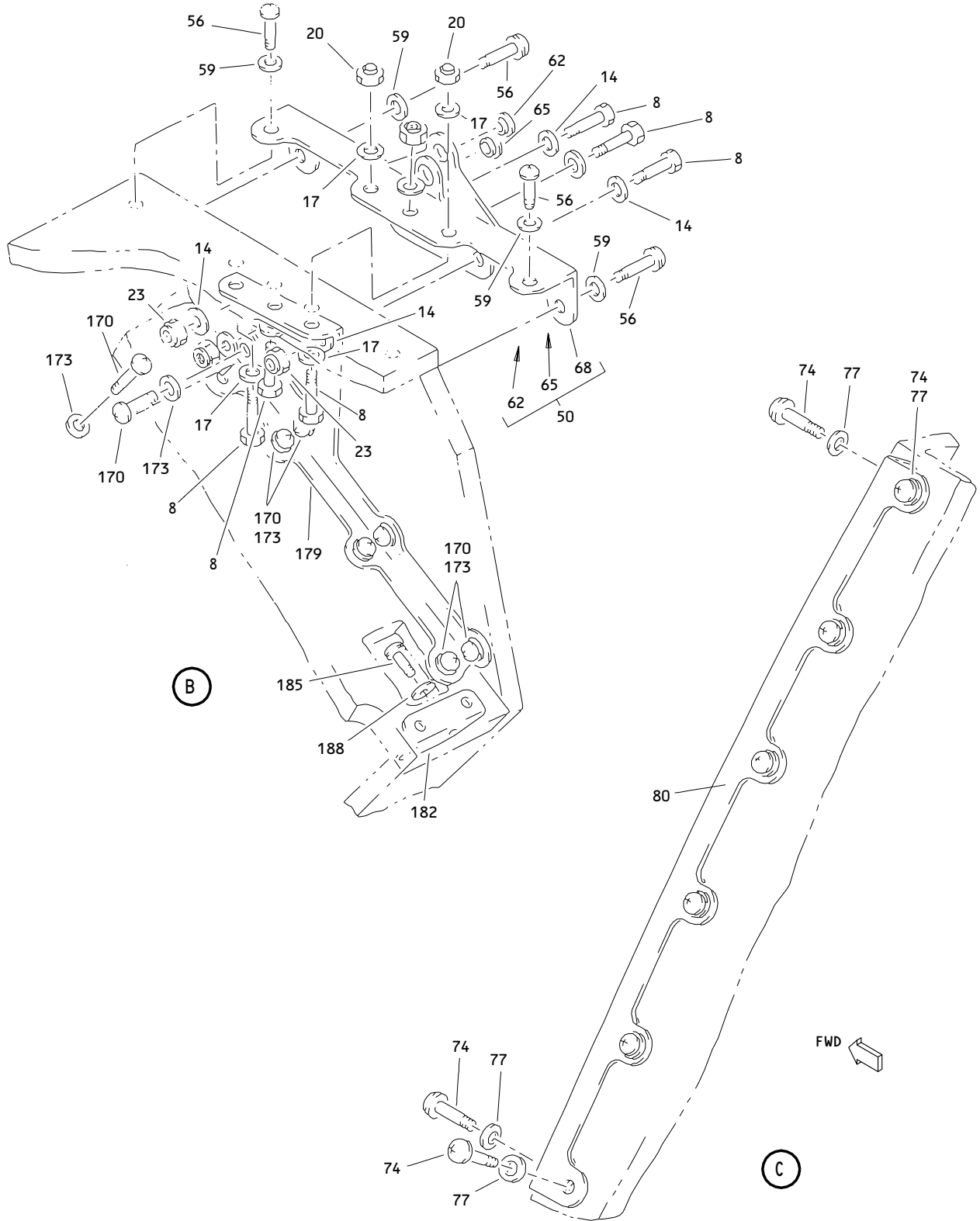
25-28-09



Outboard Overhead Storage Bin Assembly
 Figure 1E (Sheet 1)

25-28-09

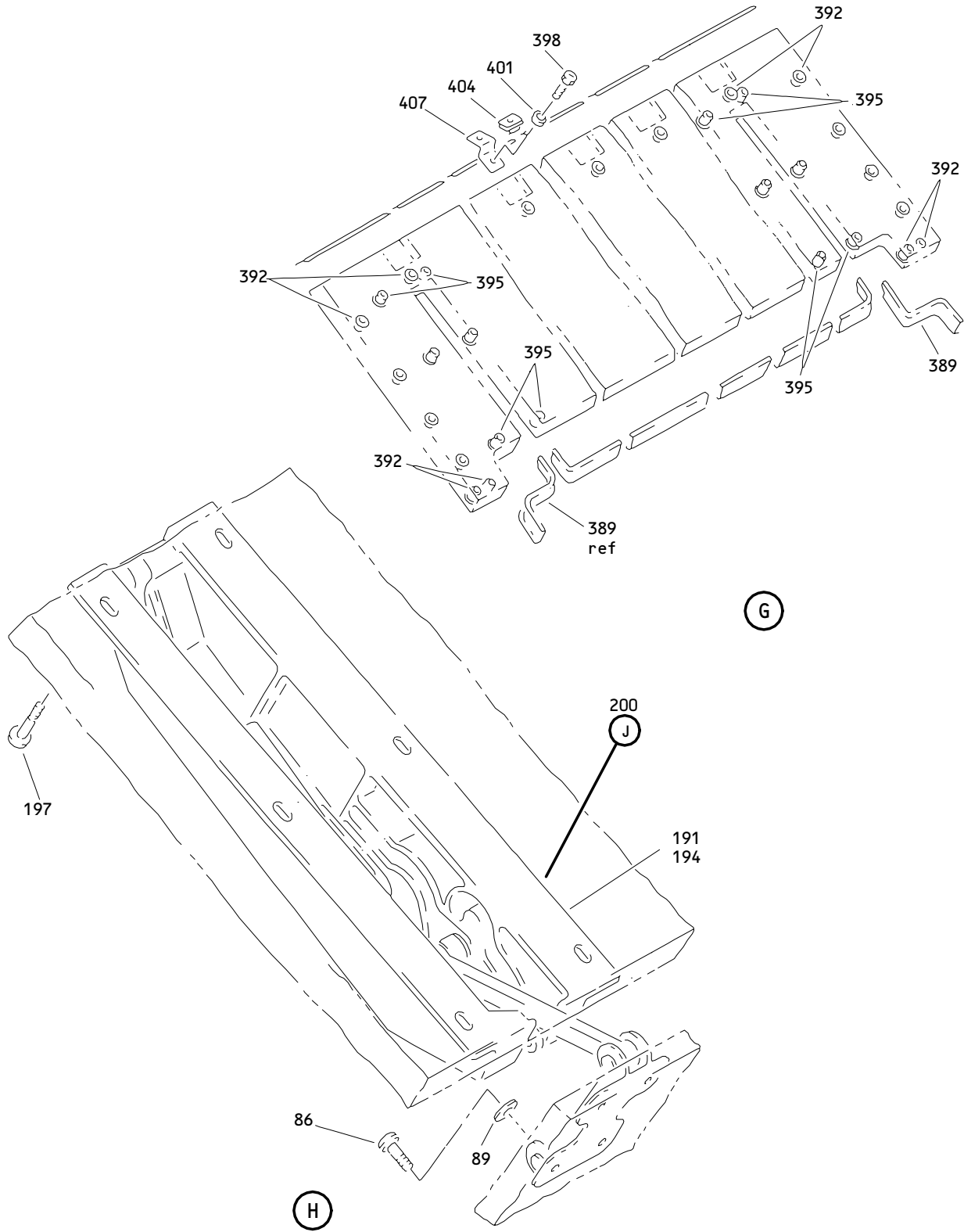
ILLUSTRATED PARTS LIST
 01.1 Page 1088H
 Apr 01/91



Outboard Overhead Storage Bin Assembly
Figure 1E (Sheet 2)

25-28-09

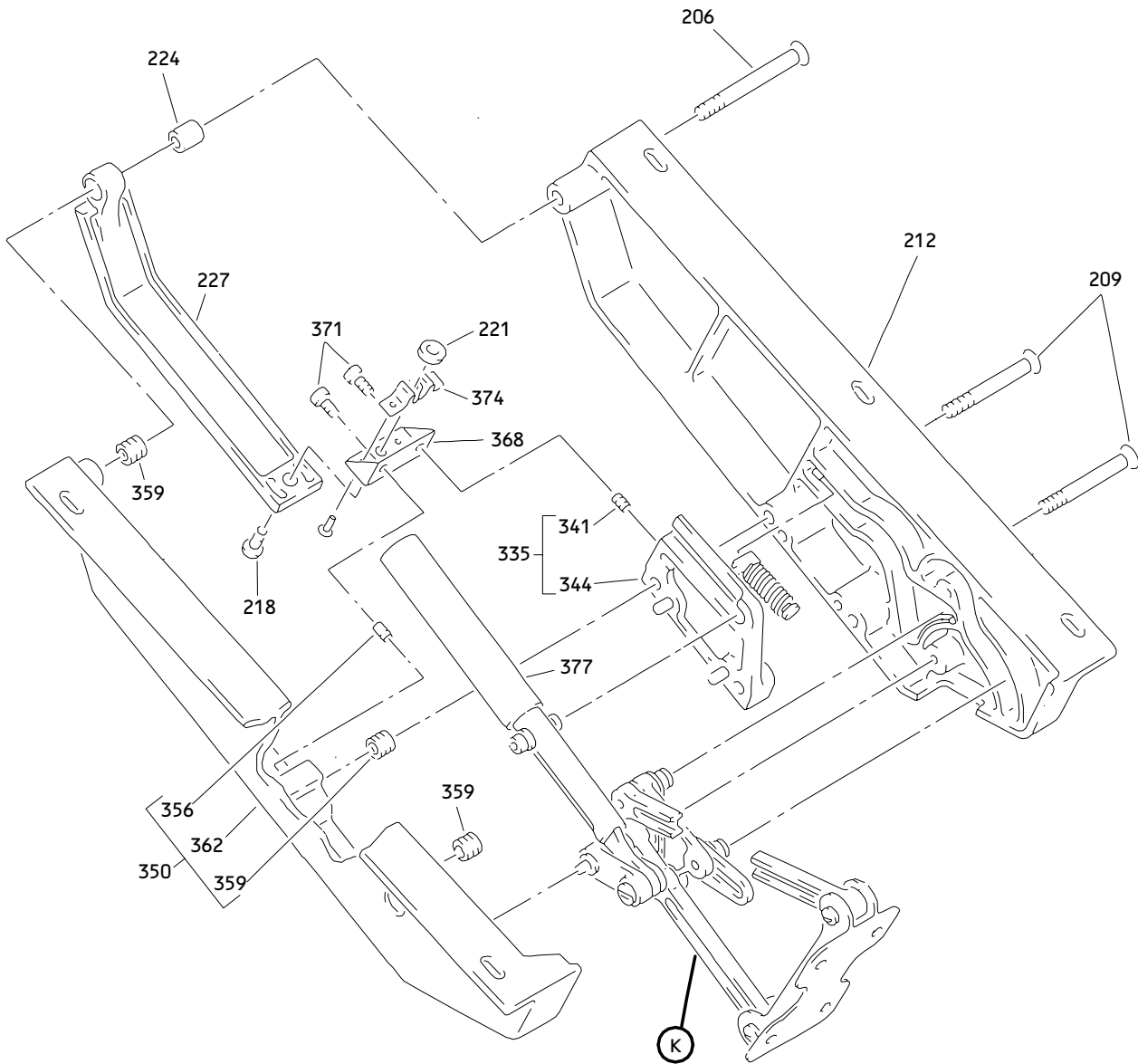
ILLUSTRATED PARTS LIST
01.1 Page 1088I
Apr 01/91



Outboard Overhead Storage Bin Assembly
Figure 1E (Sheet 4)

25-28-09

ILLUSTRATED PARTS LIST
01.1 Page 1088K
Apr 01/91

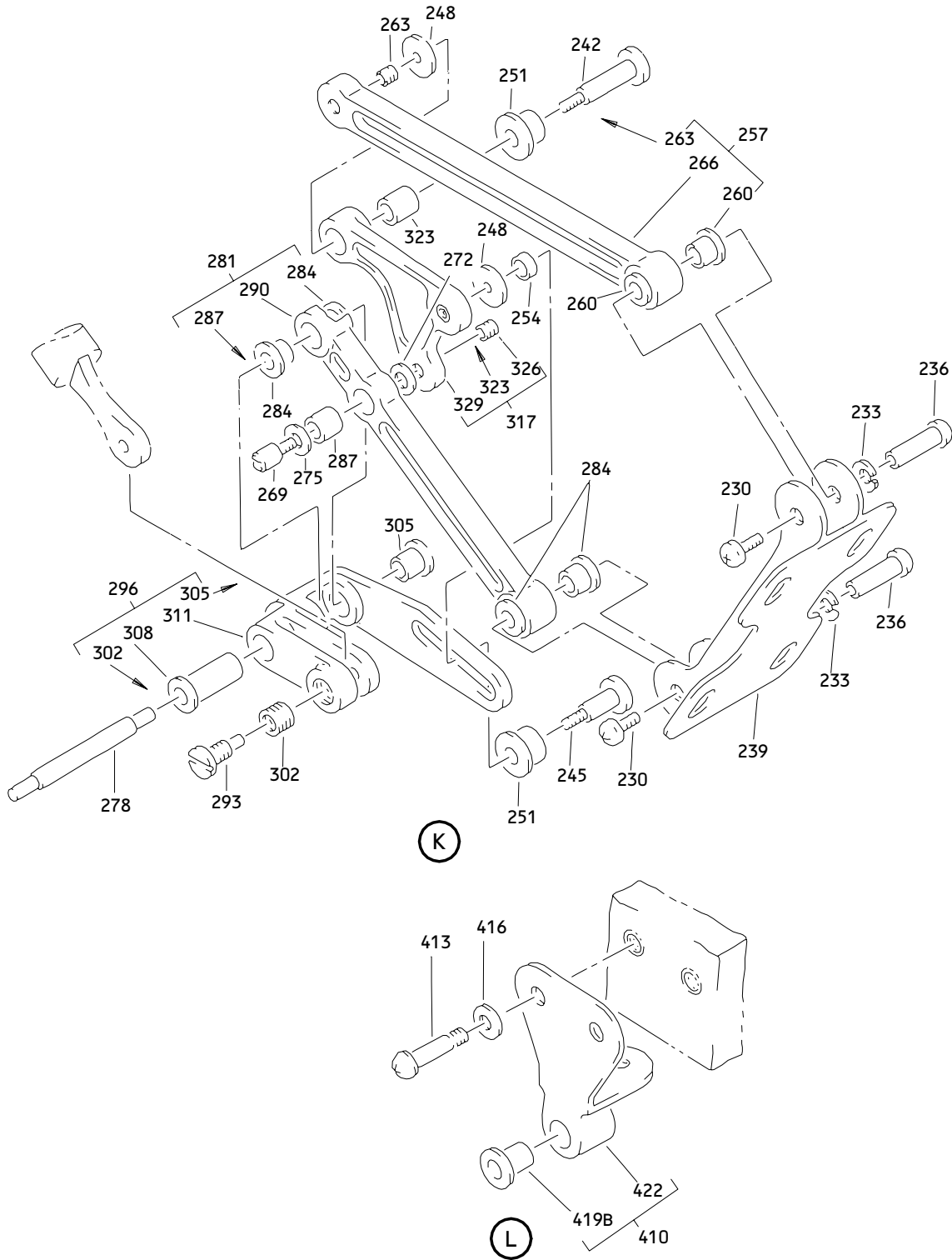


(J)

Outboard Overhead Storage Bin Assembly
Figure 1E (Sheet 5)

25-28-09

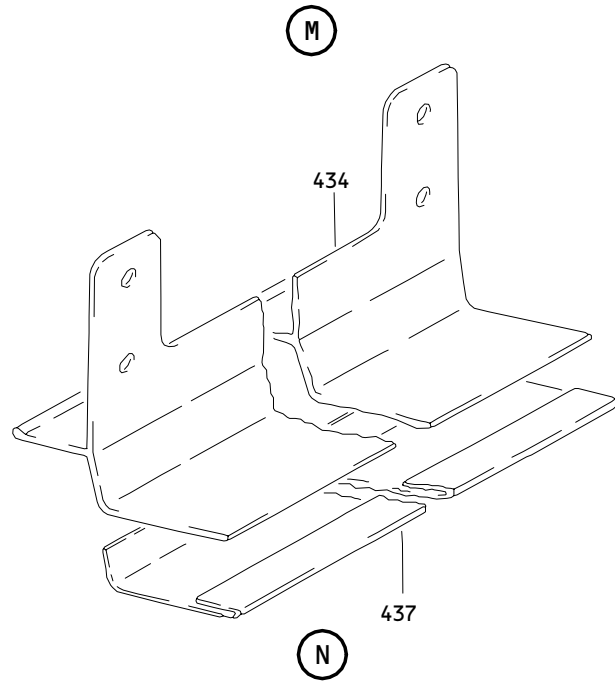
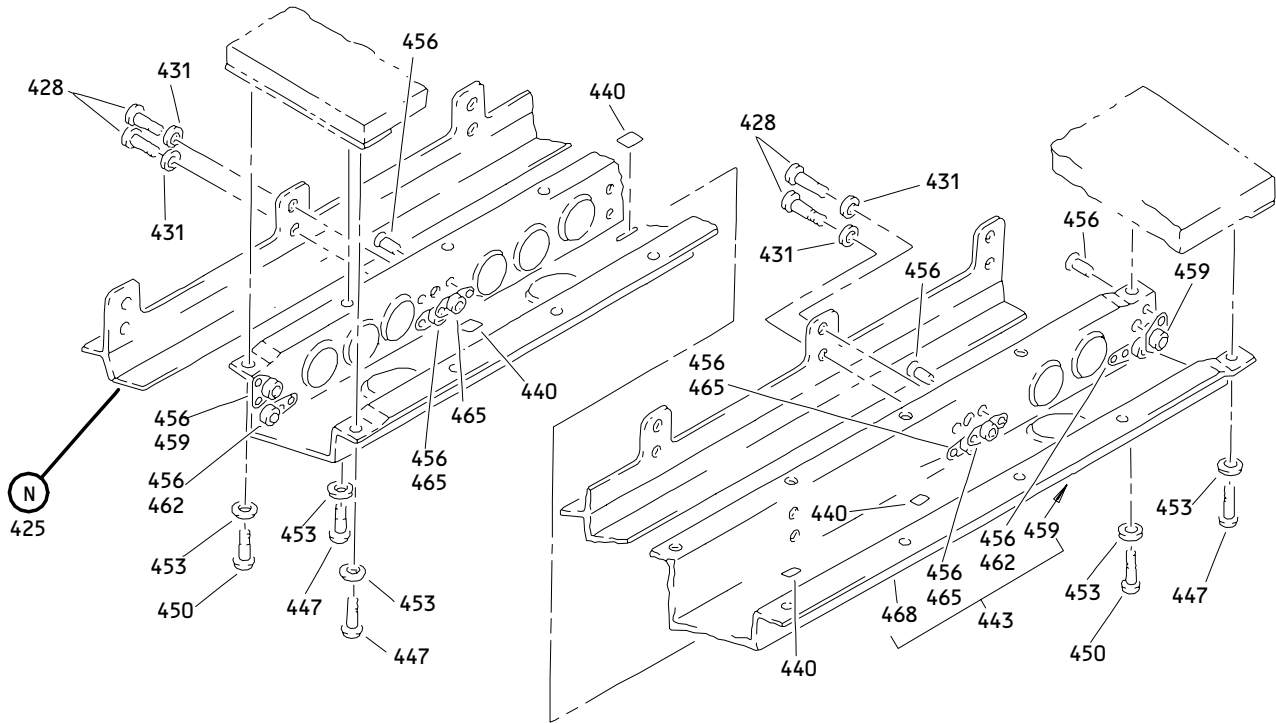
ILLUSTRATED PARTS LIST
01.1 Page 1088L
Apr 01/91



Outboard Overhead Storage Bin Assembly
Figure 1E (Sheet 6)

25-28-09

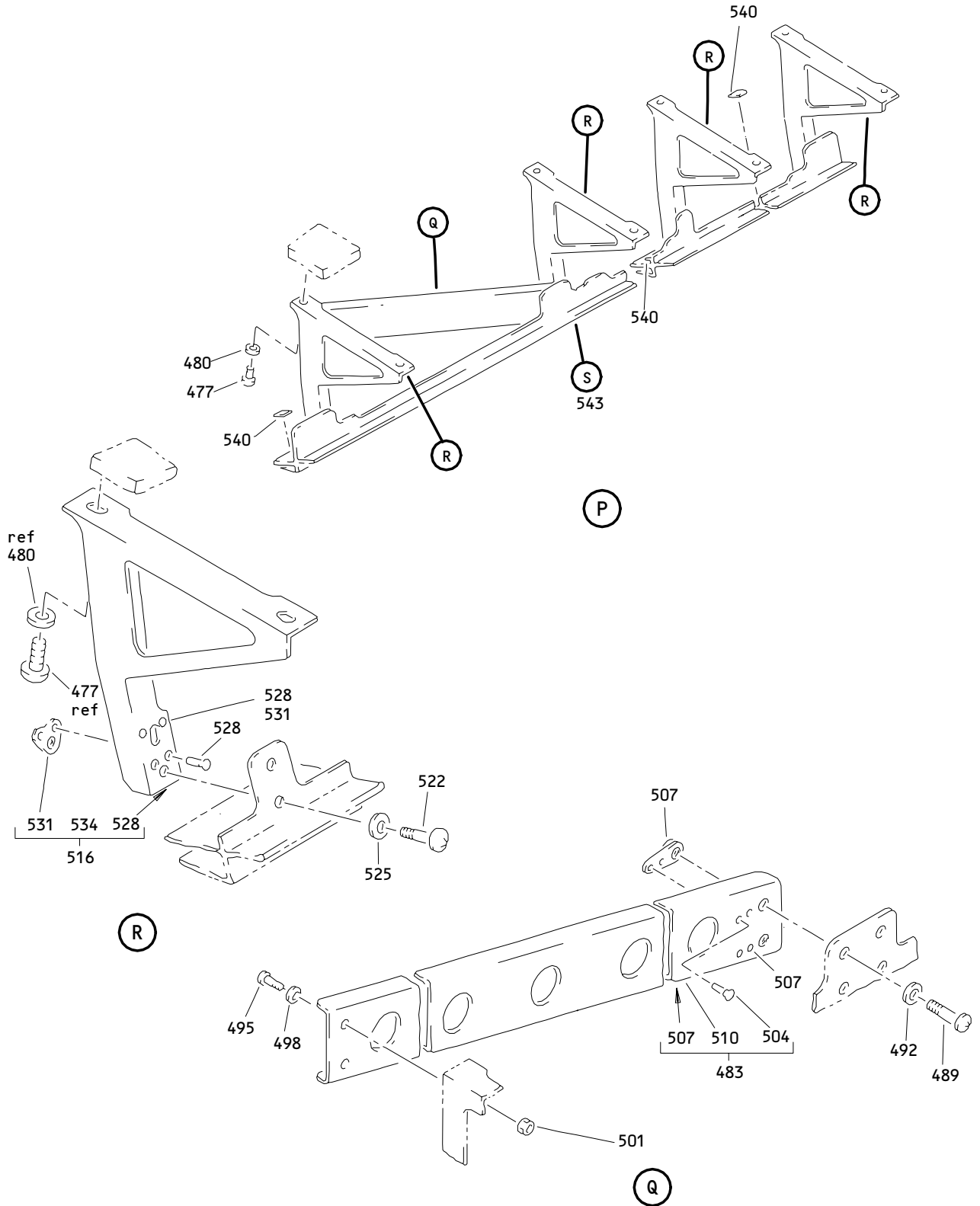
ILLUSTRATED PARTS LIST
01.1 Page 1088M
Apr 01/91



Outboard Overhead Storage Bin Assembly
 Figure 1E (Sheet 7)

25-28-09

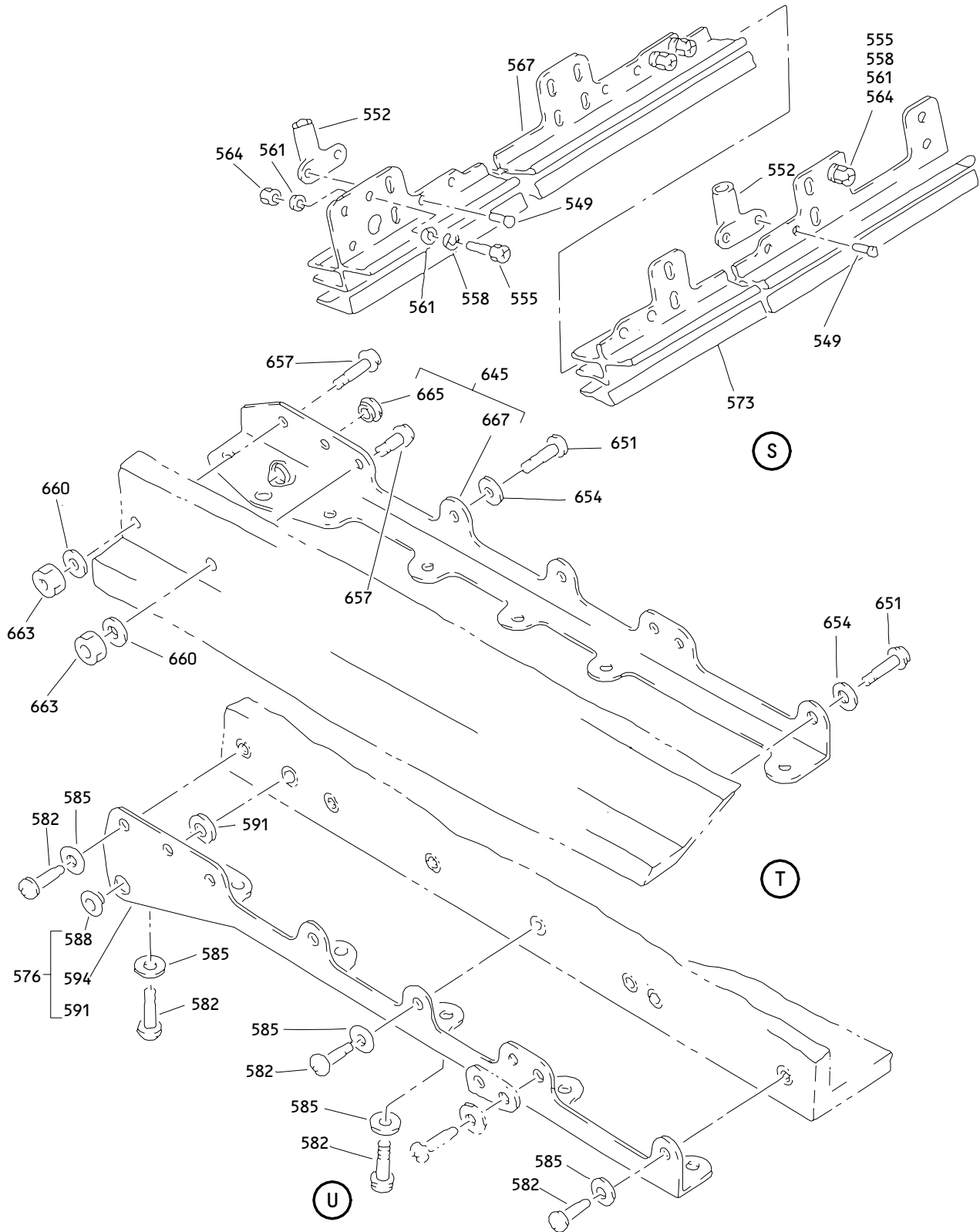
ILLUSTRATED PARTS LIST
 01.1 Page 1088N
 Apr 01/91



Outboard Overhead Stowage Bin Assembly
Figure 1E (Sheet 8)

25-28-09

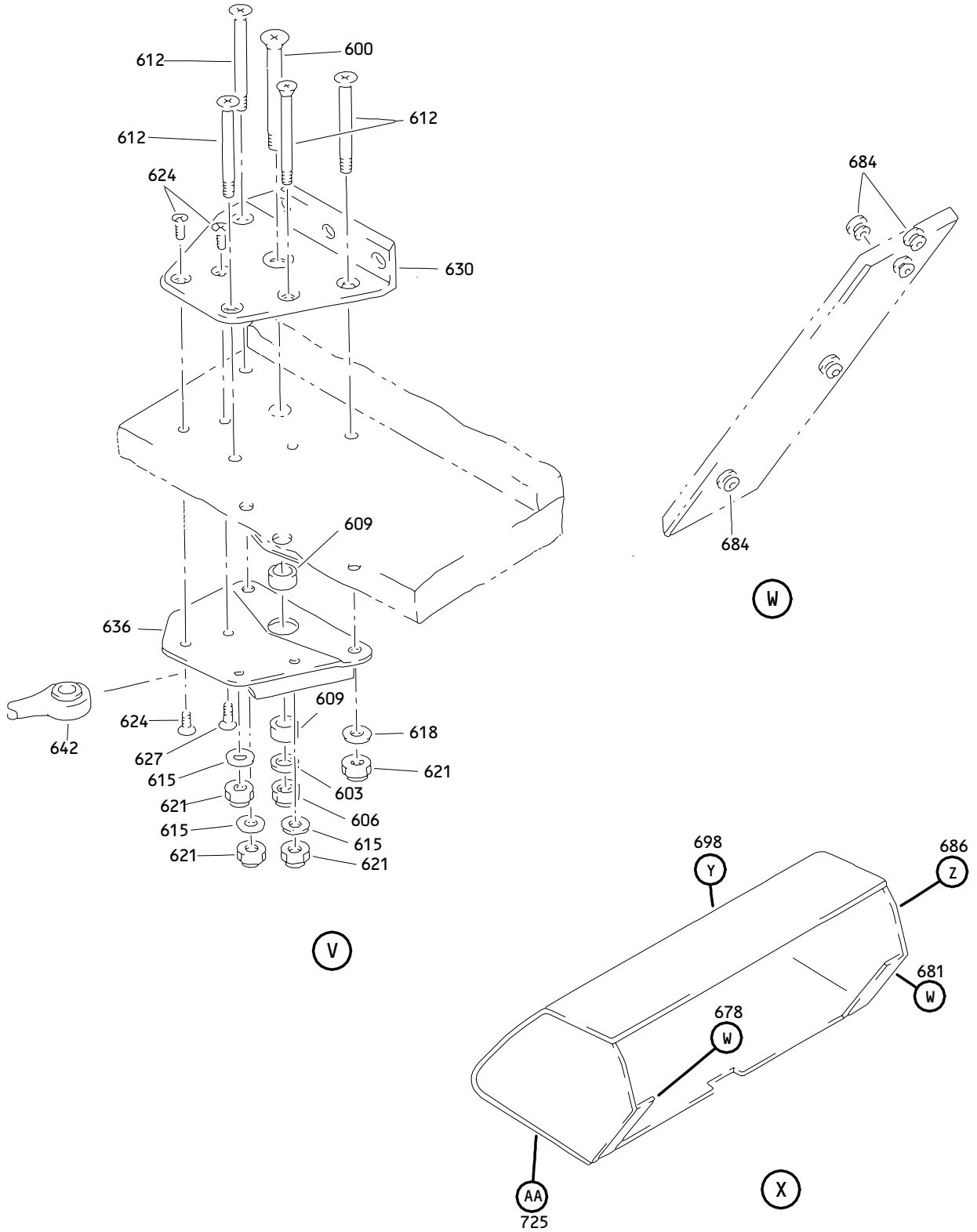
ILLUSTRATED PARTS LIST
01.1 Page 10880
Apr 01/91



Outboard Overhead Storage Bin Assembly
 Figure 1E (Sheet 9)

25-28-09

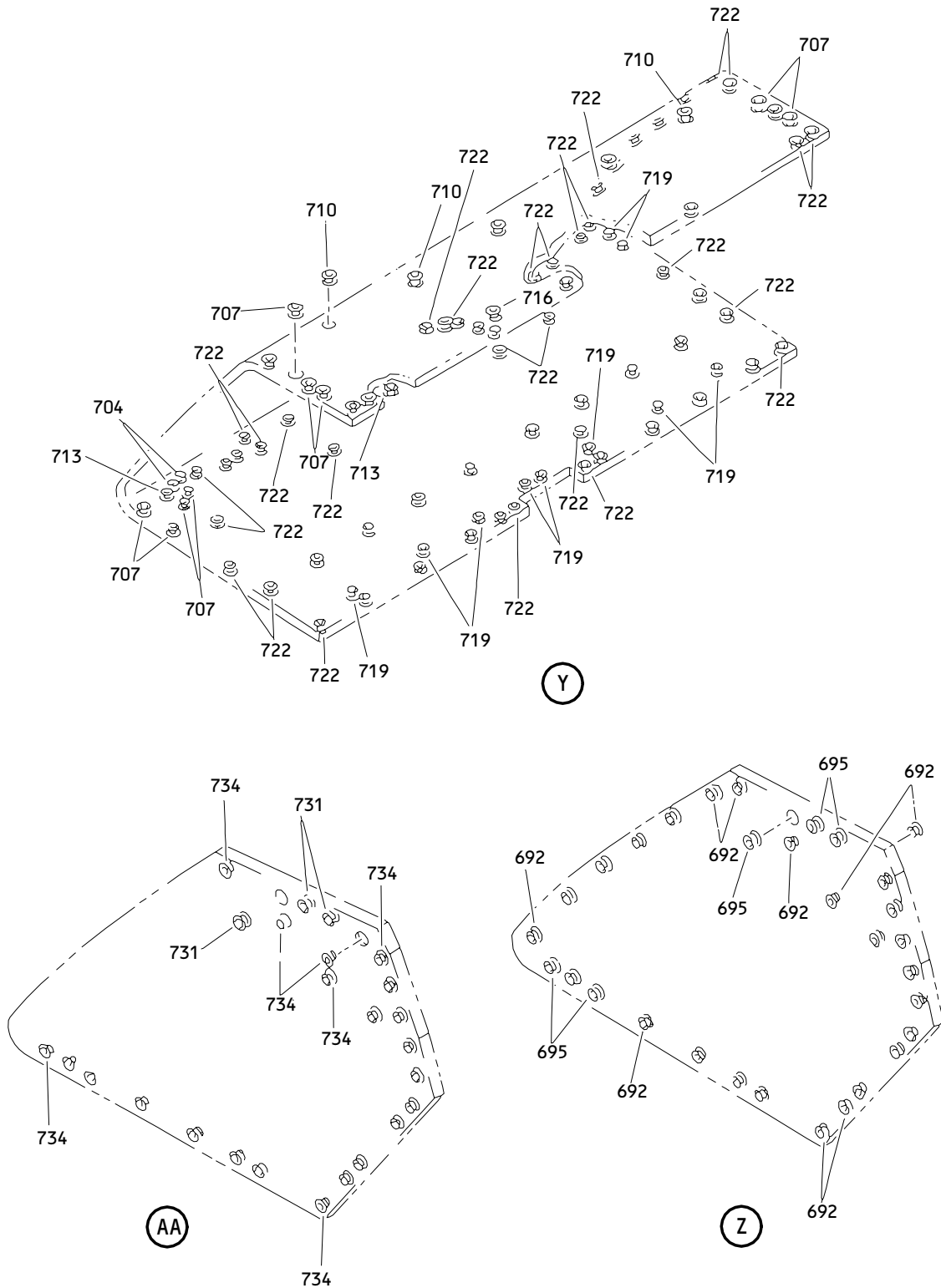
ILLUSTRATED PARTS LIST
 01.1 Page 1088P
 Apr 01/91



Outboard Overhead Storage Bin Assembly
Figure 1E (Sheet 10)

25-28-09

ILLUSTRATED PARTS LIST
01.1 Page 1088Q
Apr 01/91



Outboard Overhead Storage Bin Assembly
 Figure 1E (Sheet 11)

25-28-09

ILLUSTRATED PARTS LIST
 01.1 Page 1088R
 Apr 01/91

 **BOEING**
COMPONENT
MAINTENANCE MANUAL

FIG. & ITEM	PART NO.	AIRLINE PART NUMBER	NOMENCLATURE 1234567	EFF CODE	QTY PER ASSY
1E- -1	413T1002-373SP		BIN ASSY-OUTBD OVERHEAD STOWAGE (LH)	A	RF
-5	413T1002-374SP		BIN ASSY-OUTBD OVERHEAD STOWAGE (RH)	B	RF
8	NAS6603-9		.BOLT		12
11	AN960JD10LL		.WASHER		6
14	AN960JD10L		.WASHER		6
17	AN960PD10L		.WASHER		12
20	MS21042L3		.NUT		6
23	H10-3BAC		.NUT- (V15653) (SPEC BACN10JC3) (OPT NS202101-02 (V80539)) (OPT RMLH9075-3W (V72962)) (OPT T6S1032J (V71087)) (OPT VN303A02 (V92215)) (OPT 96-02 (V80539)) (OPT BRH10A3 (V52828))		6
26	412T3108-3		.FITTING ASSY	A	1
-29	412T3108-4		.FITTING ASSY ATTACHING PARTS	B	1
32	NAS623-3-1		.SCREW		4
35	NAS620A10L		.WASHER		4
			-----*-----		

25-28-09

FIG. & ITEM	PART NO.	AIRLINE PART NUMBER	NOMENCLATURE 1234567	EFF CODE	QTY PER ASSY
1E-38	412T3108-17		..DOUBLER		1
41	BACB28AR06A024A		DELETED		
41A	BACB28X6M024		..BUSHING- (V23294) (SPEC BACB28X6M024) (OPT BACB28X6M024 (V70265)) (OPT BACB28X6M024 (V94892))		1
44	412T3108-9		..FITTING	A	1
-47	412T3108-10		..FITTING	B	1
50	412T3108-5		.FITTING ASSY	A	1
-53	412T3108-6		.FITTING ASSY ATTACHING PARTS	B	1
56	NAS623-3-1		.SCREW		4
59	NAS620A10L		.WASHER		4
			-----*-----		
62	BACB28X4C009		..BUSHING- (V23294) (SPEC BACB28X4C009) (OPT BACB28X4C009 (V70265)) (OPT BACB28X4C009 (V94892))		1
65	BACB28X4C024		..BUSHING- (V23294) (SPEC BACB28X4C024) (OPT BACB28X4C024 (V70265)) (OPT BACB28X4C024 (V94892))		1

25-28-09

 ILLUSTRATED PARTS LIST
 01.1 Page 1088T
 Apr 01/91

 **BOEING**
COMPONENT
MAINTENANCE MANUAL

FIG. & ITEM	PART NO.	AIRLINE PART NUMBER	NOMENCLATURE 1234567	EFF CODE	QTY PER ASSY
1E-					
68	412T3108-11		..FITTING	A	1
-71	412T3108-12		..FITTING	B	1
74	NAS623-3-1		.SCREW		12
77	NAS620A10L		.WASHER		12
80	412T2013-2		.ANGLE		1
83	413T1007-86SP		.DOOR ASSY ATTACHING PARTS		1
86	NAS1801-3-6		.SCREW		8
89	BACW10P183AL		.WASHER- (V10630) (SPEC BACW10P183AL) -----*		8
92	413T1028-4		..STRIKE ASSY- (OPT ITEM 92A)		1
-92A	413T1028-5		..STRIKE ASSY- (OPT ITEM 92) ATTACHING PARTS		1
95	NAS623-3-1W		..SCREW		2
98	AN960KD10L		..WASHER -----*		2
101	MS20253-2-083		...PIN-HINGE		1
104	413T1093-3		...ROLLER- (USED ON ITEM 92)		1
-104A	NAS1056C3-056		...ROLLER- (USED ON ITEM 92A)		1
105	MS51859-1		...BUSHING- (USED ON ITEM 92A)		2
107	413T1028-2		...STRIKE		1
110	NAS514P1032-6		..SCREW		2
113	413T1010-1		..BUMPER		2
116	413T1118-3		..COVER		1
119	413T1118-4		..COVER		1
122	SL618-3A		..INSERT- (V97393)		2
125	NAS1836-3-11		..INSERT		10
128	BMS8-133		..EDGING		1
131	413T1007-10SP		..COVER-DECORATIVE		1
134	413T1024-2		.LATCH ASSY ATTACHING PARTS		1

25-28-09

ILLUSTRATED PARTS LIST
01.1 Page 1088U
Apr 01/91

FIG. & ITEM	PART NO.	AIRLINE PART NUMBER	NOMENCLATURE 1234567	EFF CODE	QTY PER ASSY
1E-137	NAS514P1032-5		.SCREW -----*-----		2
140	MS16624-5012		..RING		4
143	413T1090-3		..PIN		1
146	413T1093-2		..ROLLER		1
149	413T1090-1		..PIN		1
152	413T1091-1		..ARM		1
155	H10-08BAC		..NUT- (V15653) (SPEC BACN10JC08) (OPT NS202101-82 (V80539)) (OPT RMLH9075-82W (V72962)) (OPT T6S832J (V71087)) (OPT VN303A82 (V92215)) (OPT 96-82 (V80539)) (OPT BRH10A08 (V52828)) (OPT T6S832J (V11815))		1
158	AN960C8		..WASHER		1
161	MS24585C93		..SPRING-CPRSN		1
164	413T1092-2		..BOLT		1
167	413T1030-4		..BODY- (OPT ITEM 167A)		1
-167A	413T1030-3		..BODY- (OPT ITEM 167)		1
170	NAS623-3-1		.SCREW		16
173	NAS620A10L		.WASHER		16
176	413T1014-1		.BRACKET		1
179	413T1014-2		.BRACKET		1
182	413T1014-3		.BRACKET		2
185	NAS603-4P		.SCREW		8
188	NAS620A10L		.WASHER		8
191	413T1017-23		.HINGE ASSY- (PRE SB 767-25-0078)		1
-191A	9994		.HINGE ASSY- (V80477) (POST SB 767-25-0078)		1
194	413T1017-24		.HINGE ASSY- (PRE SB 767-25-0078)		1

25-28-09

FIG. & ITEM	PART NO.	AIRLINE PART NUMBER	NOMENCLATURE 1234567	EFF CODE	QTY PER ASSY
1E- -194A	9994		.HINGE ASSY- (V80477) (POST SB 767-25-0078)		1
197	PSFW10F6DS05WH		ATTACHING PARTS .SCREW- (V12324)		12
200	413T1017-27		-----*----- ..HINGE ASSY- (USED ON ITEMS 191)		1
-203	413T1017-28		..HINGE ASSY- (USED ON ITEMS 194)		1
206	BACB30LH3PU28		...BOLT- (V06710) (SPEC BACB30LH3PU28) (OPT BACB30LH3PU28 (V06725)) (OPT BACB30LH3PU28 (V06950)) (OPT BACB30LH3PU28 (V08524)) (OPT BACB30LH3PU28 (V17943)) (OPT BACB30LH3PU28 (V27624)) (OPT BACB30LH3PU28 (V80539)) (OPT BACB30LH3PU28 (V92215)) (OPT BACB30LH3PU28 (V97928))		1

25-28-09

ILLUSTRATED PARTS LIST
01.1 Page 1088W
Apr 01/91

FIG. & ITEM	PART NO.	AIRLINE PART NUMBER	NOMENCLATURE 1234567	EFF CODE	QTY PER ASSY
1E-209	BACB30LH3PU22		...BOLT- (V06710) (SPEC BACB30LH3PU22) (OPT BACB30LH3PU22 (V06725)) (OPT BACB30LH3PU22 (V06950)) (OPT BACB30LH3PU22 (V08524)) (OPT BACB30LH3PU22 (V17943)) (OPT BACB30LH3PU22 (V27624)) (OPT BACB30LH3PU22 (V80539)) (OPT BACB30LH3PU22 (V92215)) (OPT BACB30LH3PU22 (V97928))		2
212	413T1086-13		...HOUSING-CAM (OPT ITEM 212A) (USED ON ITEM 200)		1
-212A	413T1086-31		...HOUSING-CAM (OPT ITEM 212) (USED ON ITEM 200)		1
-215	413T1086-14		...HOUSING-CAM (OPT ITEM 215A) (USED ON ITEM 203)		1
-215A	413T1086-32		...HOUSING-CAM (OPT ITEM 215) (USED ON ITEM 203)		1

25-28-09

 ILLUSTRATED PARTS LIST
 01.1 Page 1088X
 Apr 01/91

FIG. & ITEM	PART NO.	AIRLINE PART NUMBER	NOMENCLATURE 1234567	EFF CODE	QTY PER ASSY
1E-218	5S1-6		...STUD- (V71286)		1
221	5S3-2		...WASHER- (V71286)		1
224	NAS43DD3-30		...SPACER		1
227	413T1086-7		...DOOR		1
230	NAS601-3		...SCREW		2
233	MS35338-136		...WASHER		2
236	413T1083-5		...NUT		2
239	413T1087-1		...BRACKET		1
242	413T1083-10		...SCREW		1
245	413T1083-9		...SCREW		1
248	NAS1515M3L		...WASHER		2
251	413T1085-4		...ROLLER		2
254	413T1085-3		...ROLLER		1
257	413T1020-4		...ARM ASSY-UPR (OPT ITEM 257A)		1
-257A	413T1020-1		...ARM ASSY-UPR (OPT ITEM 257)		1
260	NAS77A3-15N	BUSHING		2
263	MS21209C0615	INSERT		1
266	413T1020-5	ARM- (USED ON ITEM 257)		1
-266A	413T1020-2	ARM- (USED ON ITEM 257A)		1
269	413T1083-11		...SCREW		1
272	NAS1515M3L		...WASHER		1
275	AN960C10L		...WASHER		1
278	413T1084-1		...SHAFT		1
281	413T1021-1		...ARM ASSY-LWR		1
284	NAS77A3-15N	BUSHING		4
287	NAS76A3-007N	BUSHING		1
290	413T1021-2	ARM		1
293	413T1083-8		...SCREW		1
296	413T1023-1		...ACTUATOR ASSY-HINGE (USED ON ITEMS 200)		1

25-28-09

FIG. & ITEM	PART NO.	AIRLINE PART NUMBER	NOMENCLATURE 1234567	EFF CODE	QTY PER ASSY
1E-					
-299	413T1023-2		...ACTUATOR ASSY-HINGE (USED ON ITEMS 203)		1
302	MS21209F4-10	INSERT		1
305	NAS77A3-24N	BUSHING		1
308	NAS77A3-68N	BUSHING		1
311	413T1023-3	ACTUATOR- (USED ON ITEM 296)		1
-314	413T1023-4	ACTUATOR- (USED ON ITEM 299)		1
317	413T1022-11		...FOLLOWER ASSY-CAM (OPT ITEMS 317A, 317B) (USED ON ITEM 200)		1
-317A	413T1022-19		...FOLLOWER ASSY-CAM (OPT ITEMS 317, 317B) (USED ON ITEM 200)		1
-317B	413T1022-7		...FOLLOWER ASSY-CAM (OPT ITEMS 317, 317A) (USED ON ITEM 200)		1
-320	413T1022-12		...FOLLOWER ASSY-CAM (OPT ITEMS 320A, 320B) (USED ON ITEM 203)		1
-320A	413T1022-20		...FOLLOWER ASSY-CAM (OPT ITEMS 320, 320B) (USED ON ITEM 203)		1
-320B	413T1022-8		...FOLLOWER ASSY-CAM (OPT ITEMS 320, 320A) (USED ON ITEM 203)		1
323	NAS76A3-009N	BUSHING		1
326	MS21209C0610	INSERT- (USED ON ITEMS 317B, 320B)		2
329	413T1022-13	FOLLOWER- (USED ON ITEM 317)		1
-329A	413T1022-17	FOLLOWER- (USED ON ITEM 317A)		1
-329B	413T1022-9	FOLLOWER- (USED ON ITEM 317B)		1
-332	413T1022-14	FOLLOWER- (USED ON ITEM 320)		1

25-28-09

 ILLUSTRATED PARTS LIST
 01.1 Page 1088Z
 Apr 01/91

FIG. & ITEM	PART NO.	AIRLINE PART NUMBER	NOMENCLATURE 1234567	EFF CODE	QTY PER ASSY
1E-					
-332A	413T1022-18	FOLLOWER- (USED ON ITEM 320A)		1
-332B	413T1022-10	FOLLOWER- (USED ON ITEM 320B)		1
335	413T1086-9		...SUPPORT ASSY-SPR (OPT ITEM 335A) (USED ON ITEMS 200)		1
-335A	413T1086-35		...SUPPORT ASSY-SPR (OPT ITEM 335) (USED ON ITEM 200)		1
-338	413T1086-10		...SUPPORT ASSY-SPR (OPT ITEM 338A) (USED ON ITEM 203)		1
-338A	413T1086-36		...SUPPORT ASSY-SPR (OPT ITEM 338) (USED ON ITEM 203)		1
341	UI19136-2B8	INSERT- (V07757) (OPT ITEM 341A)		1
-341A	6035-04BR0219	INSERT- (V01556) (OPT ITEM 341)		1
344	413T1086-11	SUPPORT- (USED ON ITEM 335)		1
-344A	413T1086-37	SUPPORT- (USED ON ITEM 335A)		1
-347	413T1086-12	SUPPORT- (USED ON ITEM 338)		1
-347A	413T1086-38	SUPPORT- (USED ON ITEM 338A)		1

25-28-09

FIG. & ITEM	PART NO.	AIRLINE PART NUMBER	NOMENCLATURE 1234567	EFF CODE	QTY PER ASSY
1E-350	413T1086-15		...HOUSING ASSY-SPR (OPT ITEM 350A) (USED ON ITEM 200)		1
-350A	413T1086-3		...HOUSING ASSY-SPR (OPT ITEM 350) (USED ON ITEM 200)		1
-353	413T1086-16		...HOUSING ASSY-SPR (OPT ITEM 353A) (USED ON ITEM 203)		1
-353A	413T1086-4		...HOUSING ASSY-SPR (OPT ITEM 353) (USED ON ITEM 203)		1
356	UI19136-2B8	INSERT- (V07757) (OPT ITEM 356A)		1
-356A	6035-04BR0219	INSERT- (V01556) (OPT ITEM 356)		1
359	UI19136-6B8	INSERT- (V07757) (OPT ITEM 359A)		3
-359A	6041-3BR0375	INSERT- (V01556) (OPT ITEM 359)		3
362	413T1086-17	HOUSING- (USED ON ITEM 350)		1
-362A	413T1086-5	HOUSING- (USED ON ITEM 350A)		1
-365	413T1086-18	HOUSING- (USED ON ITEM 353)		1

25-28-09

 ILLUSTRATED PARTS LIST
 01.1 Page 1090
 Apr 01/91

 **BOEING**
COMPONENT
MAINTENANCE MANUAL

FIG. & ITEM	PART NO.	AIRLINE PART NUMBER	NOMENCLATURE 1234567	EFF CODE	QTY PER ASSY
1E-365A	413T1086-6	HOUSING- (USED ON ITEM 353A)		1
368	413T1017-3		...RECEPTACLE ASSY ATTACHING PARTS		1
371	NAS1352C04LB4		...SCREW -----*		2
374	5R3-1	RECEPTACLE- (V71286)		1
377	F1313		..SPRING ASSY-GAS (V55787) (SPEC S413T301-2)		1
380	413T1136-41		.PANEL ASSY-HINGE ATTACHING PARTS		1
383	NAS623-3-7		.SCREW		5
386	AN960PD10L		.WASHER -----*		5
389	413T1136-61		..TRIM-EDGE		AR
392	NAS1836-3-09		..INSERT		17
395	SL618-3A		..INSERT- (V97393)		12
398	NAS1801-3-5		..SCREW		5
401	BACW10P183AL		..WASHER- (V10630) (SPEC BACW10P183AL)		5
404	A11330-8-3		..NUT- (V72962) (SPEC BACN10FX21) (OPT BRC500-8-3 (V52828)) (OPT F49322-3-21 (V15653)) (OPT SL240-3-1 (V97393)) (OPT 130061 (V60119))		5
407	413T1014-5		..SUPPORT-HINGE PNL		5
410	412T2014-1		.FITTING ASSY ATTACHING PARTS		2
413	NAS623-3-2		.SCREW		4
416	NAS620A10L		.WASHER -----*		4

25-28-09

ILLUSTRATED PARTS LIST
01.1 Page 1090A
Apr 01/91

FIG. & ITEM	PART NO.	AIRLINE PART NUMBER	NOMENCLATURE 1234567	EFF CODE	QTY PER ASSY
1E-					
419A	BCREFA0486		DELETED		
419B	BACB28X4M050		..BUSHING- (V23294) (SPEC BACB28X4M050) (OPT BACB28X4M050 (V70265)) (OPT BACB28X4M050 (V94892))		2
422	412T2014-2		..FITTING		2
425	412T1004-7SP		.RAIL ASSY ATTACHING PARTS		1
428	NAS6603-2		.BOLT		8
431	AN960PD10L		.WASHER -----*		8
434	412T1004-15		..RAIL		1
437	413T1004-20		..SURFACE-DECORATIVE		1
440	2055051		.RETAINER- (V04169)		4
443	413T1081-5		.CHANNEL ASSY ATTACHING PARTS		1
447	NAS623-3-1		.SCREW		18
450	NAS623-3-3		.SCREW		2
453	NAS620A10L		.WASHER -----*		20
456	AF5171-3-2		..RIVET- (V53551) (SPEC BACR15DR3-2) (OPT CCR264SS3-2 (V11815)) (OPT RV571A3-2 (V98996))		24
459	NS103225-02		..NUTPLATE- (V80539) (SPEC BACN10KH3) (OPT RMF9209M3 (V72962)) (OPT F29779-3 (V15653))		2

25-28-09

 ILLUSTRATED PARTS LIST
 01.1 Page 1090B
 Apr 01/91



BOEING
COMPONENT
MAINTENANCE MANUAL

FIG. & ITEM	PART NO.	AIRLINE PART NUMBER	NOMENCLATURE 1234567	EFF CODE	QTY PER ASSY
1E-462	BRF100A3		..NUTPLATE- (V52828) (SPEC BACN10KB3F) (OPT F2000-3 (V15653)) (OPT RMF9207-3 (V72962)) (OPT T8114S1032S (V11815)) (OPT VN151A1-02 (V92215)) (OPT F2000-3 (V15653))		2
465	F5000-3BAC		..NUTPLATE- (V15653) (SPEC BACN10JR3F) (OPT NS103203-02 (V80539)) (OPT RMF9201-3 (V72962)) (OPT T8091S1032 (V11815)) (OPT VN152A1-02 (V92215)) (OPT BRF200A3 (V52828))		8
468	413T1081-11		..CHANNEL		1
471	412T1000-53SP		.RAIL AND BRACKET ASSY- PASS. SVCE UNIT AND SIDEWALL SPRT	A	1
-474	412T1000-54SP		.RAIL AND BRACKET ASSY- PASS. SVCE UNIT AND SIDEWALL SPRT ATTACHING PARTS	B	1
477	NAS1801-3-5		.SCREW		8
480	NAS620A10L		.WASHER -----*		8
483	412T1001-5		..CHANNEL ASSY	A	1
-486	412T1001-6		..CHANNEL ASSY ATTACHING PARTS	B	1
489	NAS6603-3		..BOLT		2
492	AN960PD10		..WASHER		2
495	NAS623-2-2		..SCREW		2
498	AN960PD8L		..WASHER		2

25-28-09

ILLUSTRATED PARTS LIST
01.1 Page 1090C
Apr 01/91

FIG. & ITEM	PART NO.	AIRLINE PART NUMBER	NOMENCLATURE 1234567	EFF CODE	QTY PER ASSY
1E-501	H10-08BAC		..NUT- (V15653) (SPEC BACN10JC08) (OPT NS202101-82 (V80539)) (OPT RMLH9075-82W (V72962)) (OPT T6S832J (V71087)) (OPT VN303A82 (V92215)) (OPT 96-82 (V80539)) (OPT BRH10A08 (V52828)) (OPT T6S832J (V11815)) -----*-----		2
504	BACR15BA3AD		...RIVET- (SIZE DETERMINE ON INST)		4
507	BRM100A3		...NUTPLATE- (V52828) (SPEC BACN10JP3B) (OPT MK2000-3BAC (V15653)) (OPT NS103198-02 (V80539)) (OPT RMA9207-3 (V72962)) (OPT T8077S1032 (V11815)) (OPT VN201A1-02 (V92215))		2
510	412T1001-11		...CHANNEL	A	1
-513	412T1001-12		...CHANNEL	B	1
516	412T1003-2		..BRACKET ASSY	A	4
-519	412T1003-1		..BRACKET ASSY	B	4
			ATTACHING PARTS		
522	NAS6603-3		..BOLT		8
525	AN960PD10		..WASHER		8
			-----*-----		
528	BACR15BA3AD		...RIVET- (SIZE DETERMINE ON INST)		4

25-28-09

 ILLUSTRATED PARTS LIST
 01.1 Page 1090D
 Apr 01/91

BOEING
COMPONENT
MAINTENANCE MANUAL

FIG. & ITEM	PART NO.	AIRLINE PART NUMBER	NOMENCLATURE 1234567	EFF CODE	QTY PER ASSY
1E-531	BRM300A3		...NUTPLATE- (V52828) (SPEC BACN10JP3C) (OPT MK3000-3BAC (V15653)) (OPT NS103199-02 (V80539)) (OPT RMA9205M3 (V72962)) (OPT T8078S1032 (V11815)) (OPT VN203A1-02 (V92215))		2
534	412T1003-4		...BRACKET	A	1
-537	412T1003-3		...BRACKET	B	1
540	2055144		..RETAINER- (V04169)		7
543	412T1002-143SP		..RAIL ASSY	A	1
-546	412T1002-144SP		..RAIL ASSY	B	1
549	BACR15BB4AD		...RIVET- (SIZE DETERMINE ON INST)		8
552	WS1-332A8		...NUTPLATE- (V04169) (SPEC BACN10GH3A8)		4
555	NAS1801-3-12		...SCREW		4
558	MS35338-43		...WASHER		4
561	AN960D10L		...WASHER		8
564	MS35650-305S		...NUT		4
567	412T1002-145		...RAIL	A	1
570	412T1002-146		...RAIL	B	1
573	412T1002-20		...SURFACE-DECORATIVE		1
576	412T3109-3		.FITTING ASSY	A	1
-579	412T3109-4		.FITTING ASSY	B	1
582	NAS623-3-1		ATTACHING PARTS		11
585	NAS620A10L		.SCREW		11
			.WASHER		11
			-----*-----		

25-28-09

FIG. & ITEM	PART NO.	AIRLINE PART NUMBER	NOMENCLATURE 1234567	EFF CODE	QTY PER ASSY
1E-588	BACB28AR06A024A		..BUSHING- (V09455) (SPEC BACB28AR06A024A) (OPT BACB28AR06A024A (V15860)) (OPT BACB28AR06A024A (V50294)) (OPT BACB28AR06A024A (V73134)) (OPT BACB28AR06A024A (V77896)) (OPT BACB28AR06A024A (V97613))		1
591	412T3109-21		..DOUBLER		1
594	412T3109-13		..FITTING	A	1
-597	412T3109-14		..FITTING	B	1
600	HL19PB10-24		.BOLT- (V56878) (SPEC BACB30FN10-24) (OPT HL19PB10-24 (V73197)) (OPT HL19PB10-24 (V92215)) (OPT HL19PB10-24 (V97928)) (OPT 62547-10-24 (V56878)) (OPT HL19PB10-24 (V80539)) (OPT WC2510-24 (V60516)) (OPT HL19PB10-24 (V60516)) (OPT HL19PB10-24 (V08524))		1
603	AN960C516L		.WASHER		1
606	H01-5BAC		.NUT- (V15653) (SPEC BACN10JC5CM) (OPT T6C524JM (V11815)) (OPT 109LH9075-5W (V72962)) (OPT 97E054 (V80539))		1

25-28-09

FIG. & ITEM	PART NO.	AIRLINE PART NUMBER	NOMENCLATURE 1234567	EFF CODE	QTY PER ASSY
1E-609	BACB28Z5-025		.BUSHING- (V23294) (SPEC BACB28Z5-025) (OPT BACB28Z5-025 (V70265)) (OPT BACB28Z5-025 (V94892))		2
612	BACB30LU3-10		.BOLT- (V06710) (SPEC BACB30LU3-10) (OPT BACB30LU3-10 (V06725)) (OPT BACB30LU3-10 (V06950)) (OPT BACB30LU3-10 (V17943)) (OPT BACB30LU3-10 (V27624)) (OPT BACB30LU3-10 (V56878)) (OPT BACB30LU3-10 (V80539)) (OPT BACB30LU3-10 (V85495)) (OPT BACB30LU3-10 (V92215)) (OPT BACB30LU3-10 (V97928))		4
615	AN960PD10L		.WASHER		3
618	AN960PD10		.WASHER		1
621	H10-3BAC		.NUT- (V15653) (SPEC BACN10JC3) (OPT NS202101-02 (V80539)) (OPT RMLH9075-3W (V72962)) (OPT T6S1032J (V71087)) (OPT VN303A02 (V92215)) (OPT 96-02 (V80539)) (OPT BRH10A3 (V52828))		4

25-28-09

FIG. & ITEM	PART NO.	AIRLINE PART NUMBER	NOMENCLATURE 1234567	EFF CODE	QTY PER ASSY
1E-					
624	NAS514P1032-4		.SCREW		3
627	NAS514P1032-5		.SCREW		1
630	412T2045-1		.FITTING	A	1
-633	412T2045-2		.FITTING	B	1
636	412T2046-1		.DOUBLER	A	1
-639	412T2046-2		.DOUBLER	B	1
642	1281-1		.TIE ASSY-TNSN (V34742)		1
645	412T3109-9		.FITTING ASSY	A	1
-648	412T3109-10		.FITTING ASSY ATTACHING PARTS	B	1
651	NAS623-3-1		.SCREW		5
654	NAS620A10L		.WASHER		5
657	BACB30LU3-9		.BOLT- (V06710) (SPEC BACB30LU3-9) (OPT BACB30LU3-9 (V06725)) (OPT BACB30LU3-9 (V06950)) (OPT BACB30LU3-9 (V17943)) (OPT BACB30LU3-9 (V27624)) (OPT BACB30LU3-9 (V56878)) (OPT BACB30LU3-9 (V80539)) (OPT BACB30LU3-9 (V85495)) (OPT BACB30LU3-9 (V92215)) (OPT BACB30LU3-9 (V97928))		3

25-28-09

 ILLUSTRATED PARTS LIST
 01.1 Page 1090H
 Apr 01/91

FIG. & ITEM	PART NO.	AIRLINE PART NUMBER	NOMENCLATURE 1234567	EFF CODE	QTY PER ASSY
1E- 660 663	AN960JD10L H10-3BAC		.WASHER .NUT- (V15653) (SPEC BACN10JC3) (OPT NS202101-02 (V80539)) (OPT RMLH9075-3W (V72962)) (OPT T6S1032J (V71087)) (OPT VN303A02 (V92215)) (OPT 96-02 (V80539)) (OPT BRH10A3 (V52828)) -----*-----		3 3
665	BACB28X4C005		..BUSHING- (V23294) (SPEC BACB28X4C005) (OPT BACB28X4C005 (V70265)) (OPT BACB28X4C005 (V94892))		1
667	412T3109-19		..FITTING	A	1
-669	412T3109-20		..FITTING	B	1
672	413T1013-641		.SHELL ASSY	A	1
-675	413T1013-642		.SHELL ASSY	B	1
678	413T1013-21		..PANEL ASSY-INBD		1

25-28-09

FIG. & ITEM	PART NO.	AIRLINE PART NUMBER	NOMENCLATURE 1234567	EFF CODE	QTY PER ASSY
1E-					
681	413T1013-22		..PANEL ASSY-INBD		1
684	NAS1836-3-07		...INSERT		5
686	413T1013-49		..PANEL ASSY-FWD	A	1
-689	413T1013-50		..PANEL ASSY-FWD	B	1
692	NAS1836-3-11		...INSERT		25
695	NAS1834A3-400		...INSERT-		6
			(OPT ITEM 695A)		
-695A	NAS1834-3-400		...INSERT-		6
			(OPT ITEM 695)		
698	413T1013-499		..PANEL ASSY-SHELL	A	1
-701	413T1013-600		..PANEL ASSY-SHELL	B	1
704	NAS1833-3-400		...INSERT		2
707	NAS1834A3-400		...INSERT-		10
			(OPT ITEM 707A)		
-707A	NAS1834-3-400		...INSERT-		10
			(OPT ITEM 707)		
710	NAS1834A4-400		...INSERT-		5
			(OPT ITEM 710A)		
-710A	NAS1834-4-400		...INSERT-		5
			(OPT ITEM 710)		
713	NAS1834C5-400		...INSERT		1
716	NAS1836-08-11		...INSERT		2
719	SL618-3A		...INSERT-		8
			(V97393)		
722	NAS1836-3-11		...INSERT		56
725	413T1013-101		..PANEL ASSY-AFT	A	1
-728	413T1013-102		..PANEL ASSY-AFT	B	1
731	NAS1834A3-400		...INSERT-		3
			(OPT ITEM 731A)		
-731A	NAS1834-3-400		...INSERT-		3
			(OPT ITEM 731)		
734	NAS1836-3-11		...INSERT		22
737	BAC29PPS2172		.DECAL-LATCH DOOR CLOSED		1
740	BAC29PPS2174		.DECAL-LOAD LIMIT 87 LB/ 39KG		1

25-28-09

DELETED FIGURES 2, 3,
AND REPLACED WITH FIGURES
1B, 1C, 1D

Not Used
Figure 2

25-28-09

ILLUSTRATED PARTS LIST
01.1 Page 1090L
Sep 01/96